



US00D584537S

(12) **United States Design Patent**  
**Cuzzocrea**

(10) **Patent No.:** **US D584,537 S**

(45) **Date of Patent:** **\*\* Jan. 13, 2009**

(54) **BOTTLE DISPLAY KIOSK**

(57) **CLAIM**

(76) Inventor: **Lawrence A. Cuzzocrea**, 3502 E. Vineyard Rd., Phoenix, AZ (US) 85040

The ornamental design for a “bottle display kiosk”, as shown and described.

(\*\*) Term: **14 Years**

**DESCRIPTION**

(21) Appl. No.: **29/293,371**

FIG. 1 is a first front perspective view of the bottle display kiosk, showing my new design;

(22) Filed: **Nov. 20, 2007**

FIG. 2 is a second front perspective view thereof;

(51) **LOC (9) Cl.** ..... **06-04**

FIG. 3 is a front elevational view thereof;

(52) **U.S. Cl.** ..... **D6/458**

FIG. 4 is a left side elevational view thereof;

(58) **Field of Classification Search** ..... **D6/467, D6/458, 556, 553, 465, 397, 449, 460, 457; D7/640; D19/77, 73, 78, 85; D11/151, 143; 211/182, 43, 49.1, 13.1, 87.01, 85.31, 105.2, 211/106, 133.2, 181.1**

FIG. 5 is a right side elevational view thereof;

FIG. 6 is a top plan view thereof;

FIG. 7 is a bottom plan view thereof;

FIG. 8 is a rear elevational view thereof;

FIG. 9 is a rear perspective view thereof;

See application file for complete search history.

FIG. 10 is a second rear perspective view thereof;

(56) **References Cited**

**U.S. PATENT DOCUMENTS**

FIG. 11 is a front exploded perspective view, showing a removable display portion thereof;

FIG. 12 is a second front exploded perspective view of FIG. 11;

D140,082	S	*	1/1945	Hathaway	.....	D6/556
D279,950	S	*	8/1985	Wan	.....	D7/640
4,787,319	A	*	11/1988	Dupraz	.....	108/64
D342,094	S	*	12/1993	Ancona et al.	.....	D19/77
D394,023	S	*	5/1998	Shaw	.....	D11/151
D398,801	S	*	9/1998	Shaw	.....	D6/556
D435,067	S	*	12/2000	Shih	.....	D20/10
D522,271	S	*	6/2006	Arippol	.....	D6/465
D546,584	S	*	7/2007	Brin	.....	D6/465
D571,407	S	*	6/2008	Dean	.....	D19/91

FIG. 13 is a front exploded view of FIG. 11;

FIG. 14 is a left side exploded view of FIG. 11;

FIG. 15 is a right side exploded view of FIG. 11;

FIG. 16 is a top plan exploded view of FIG. 11;

FIG. 17 is a bottom plan view of FIG. 11;

FIG. 18 is a rear exploded view of FIG. 11;

FIG. 19 is a rear exploded perspective view of FIG. 11; and,

FIG. 20 is a second rear exploded perspective view of FIG. 11.

The broken line showing of the environment is illustrative of preferred component alignments only and forms no part of the claimed design.

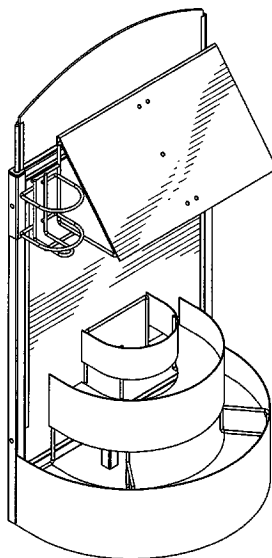
\* cited by examiner

*Primary Examiner*—Janice E Seeger

*Assistant Examiner*—Sydney R Buffalow

(74) *Attorney, Agent, or Firm*—Stoneman Volk Patent Group; Martin L. Stoneman; Michael D. Volk, Jr.

**1 Claim, 16 Drawing Sheets**



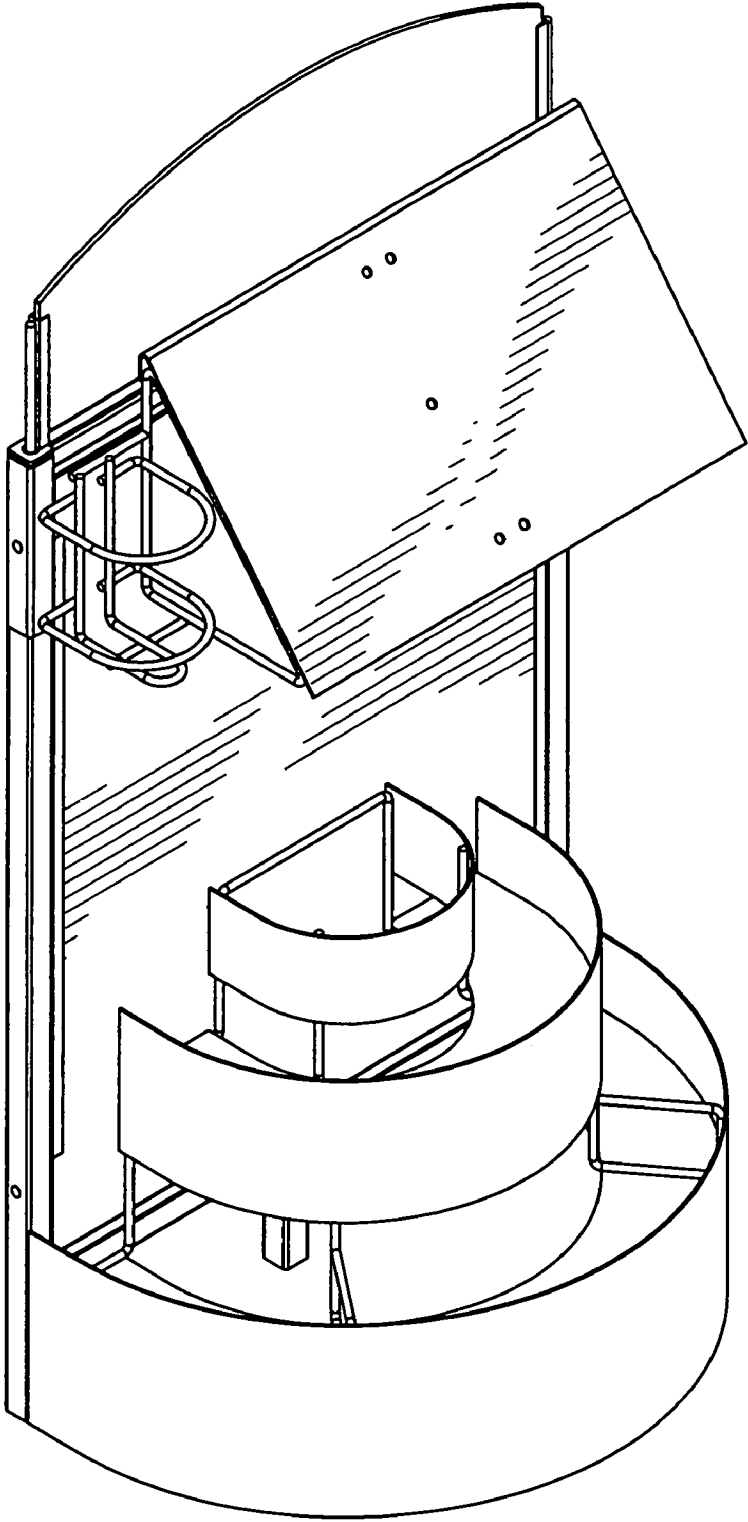


FIG. 1

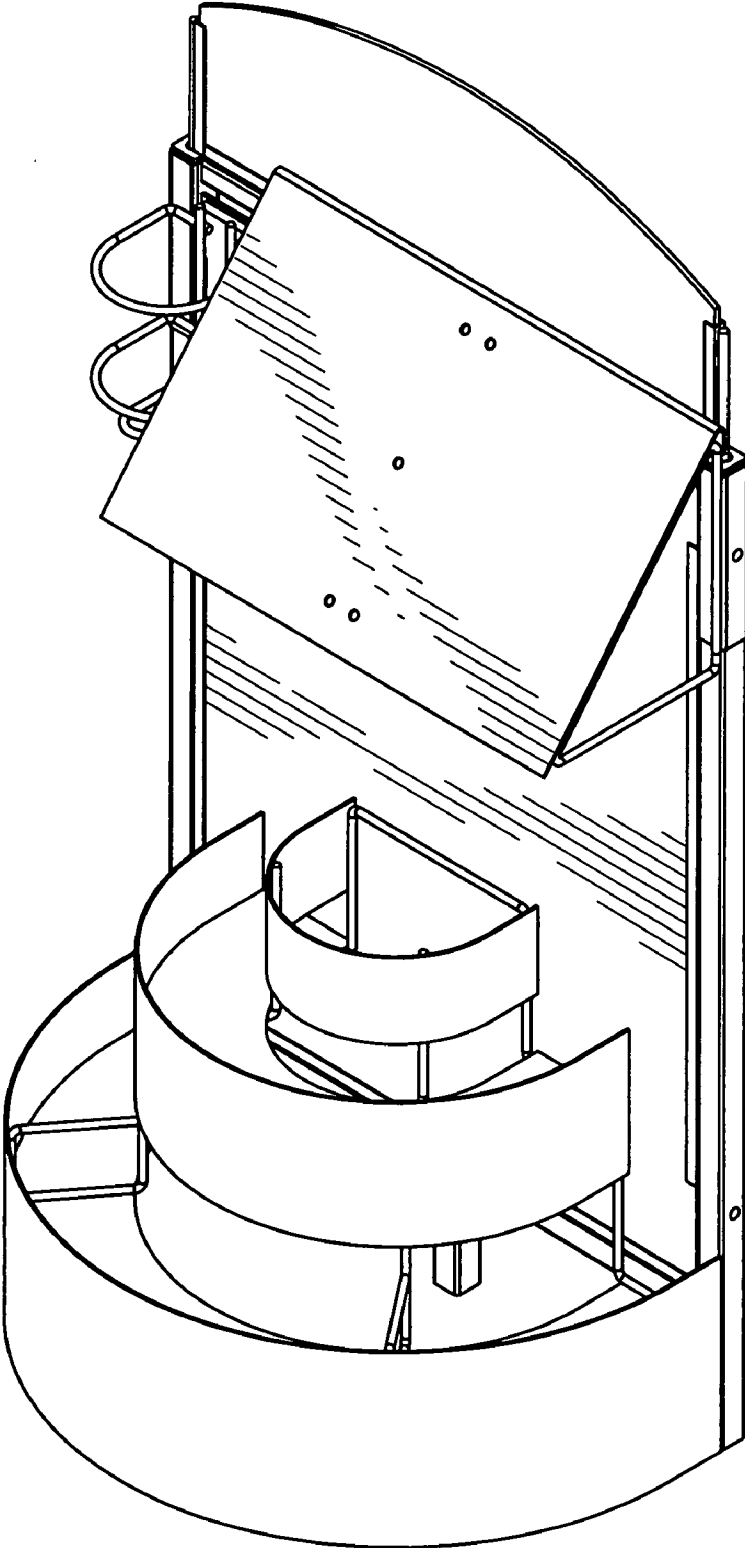


FIG. 2

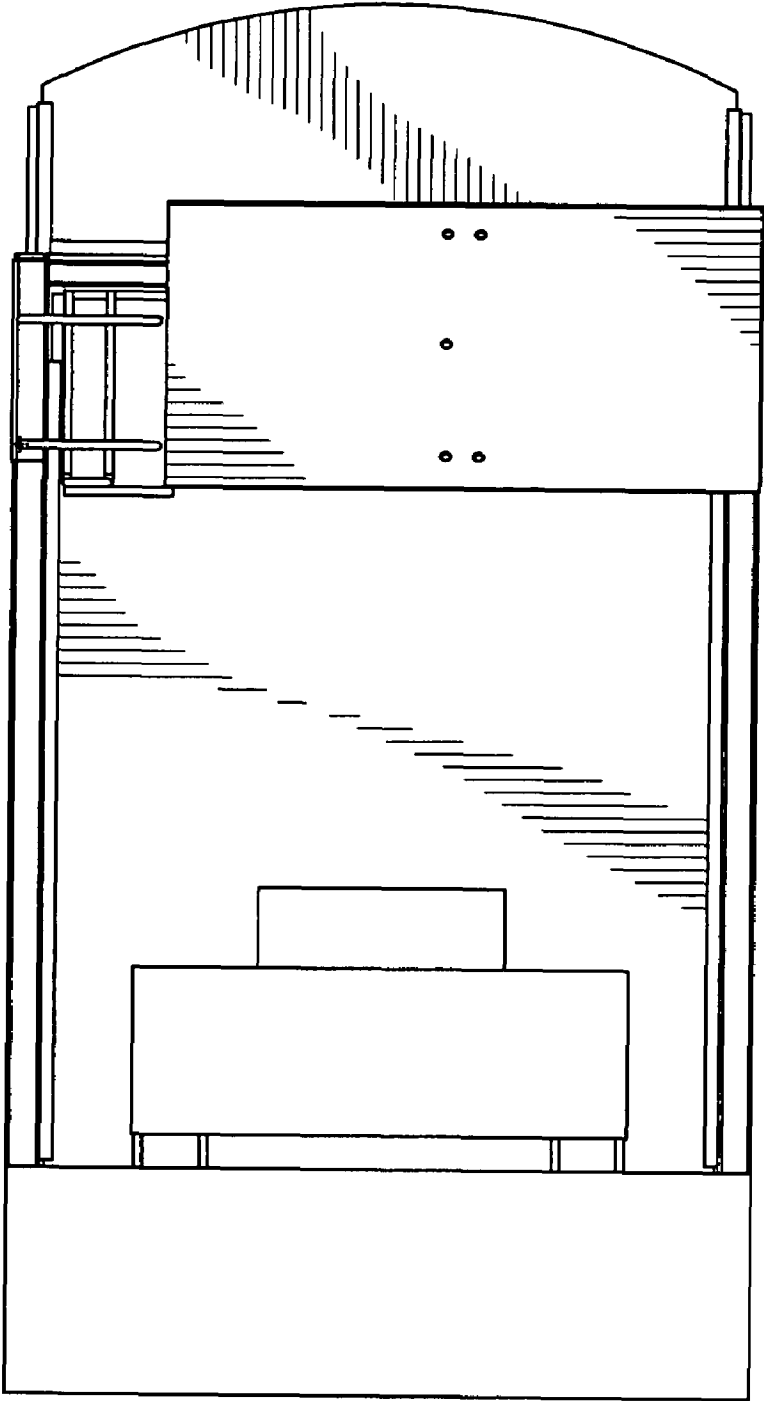


FIG. 3

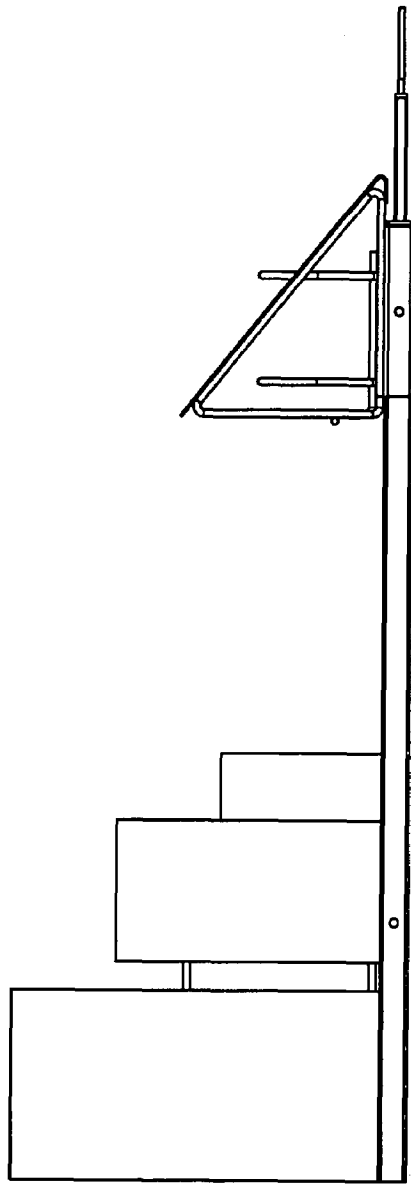


FIG. 4

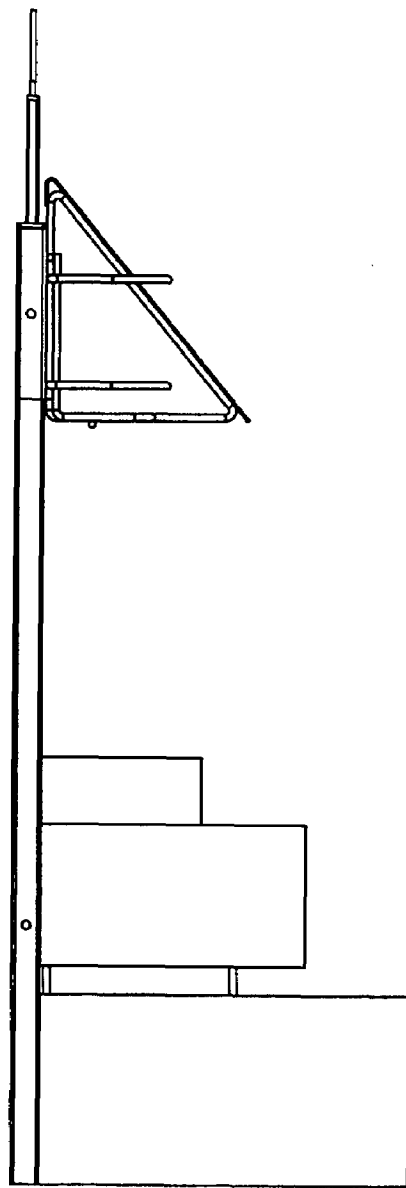


FIG. 5

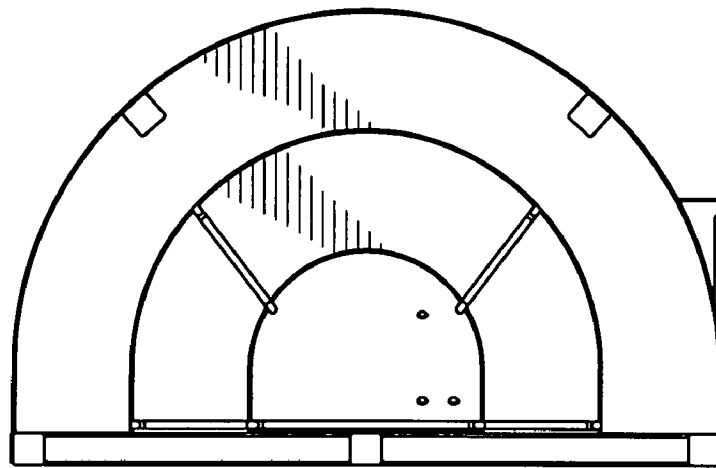


FIG. 7

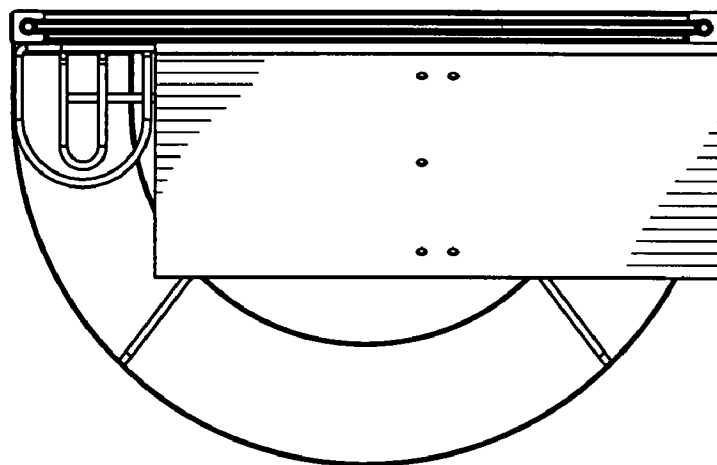


FIG. 6

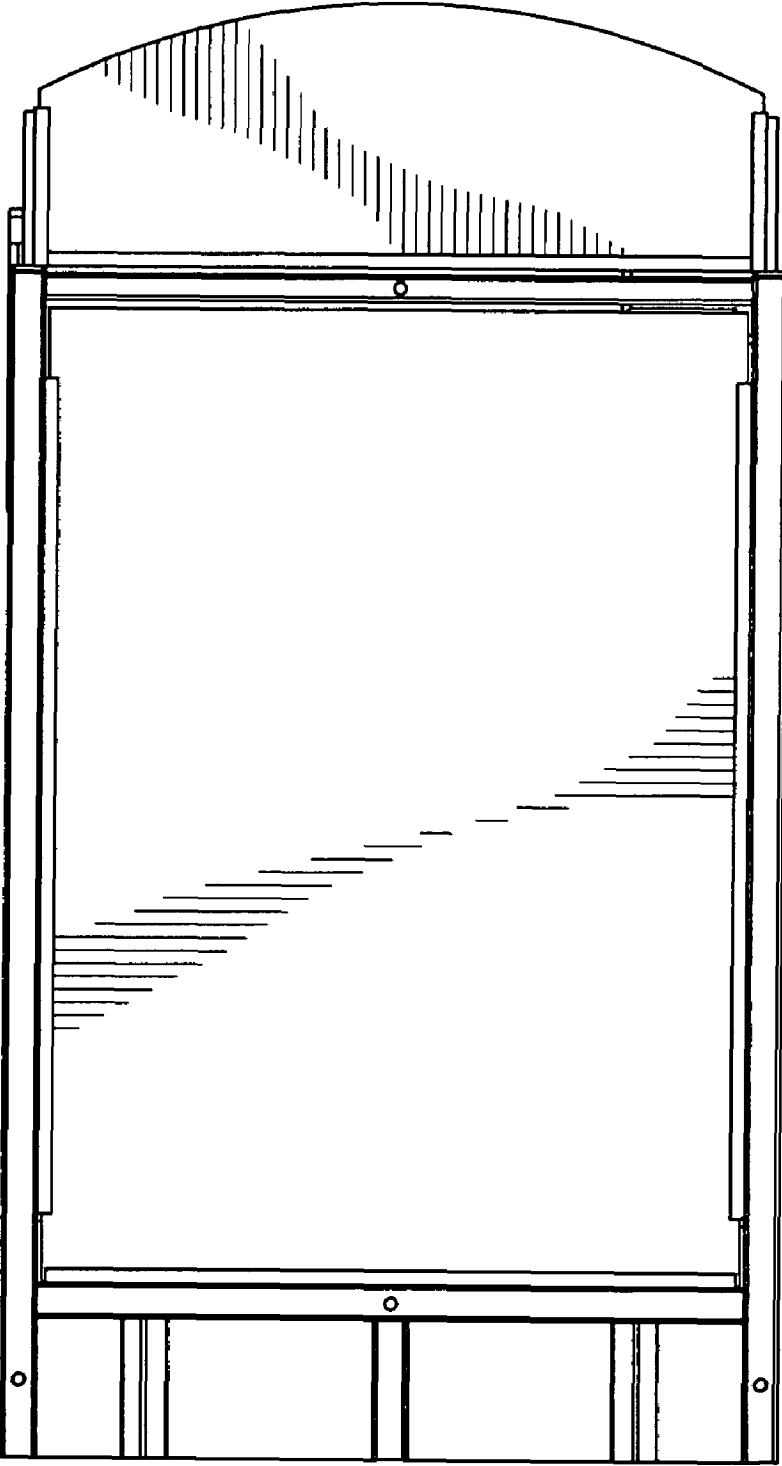


FIG. 8

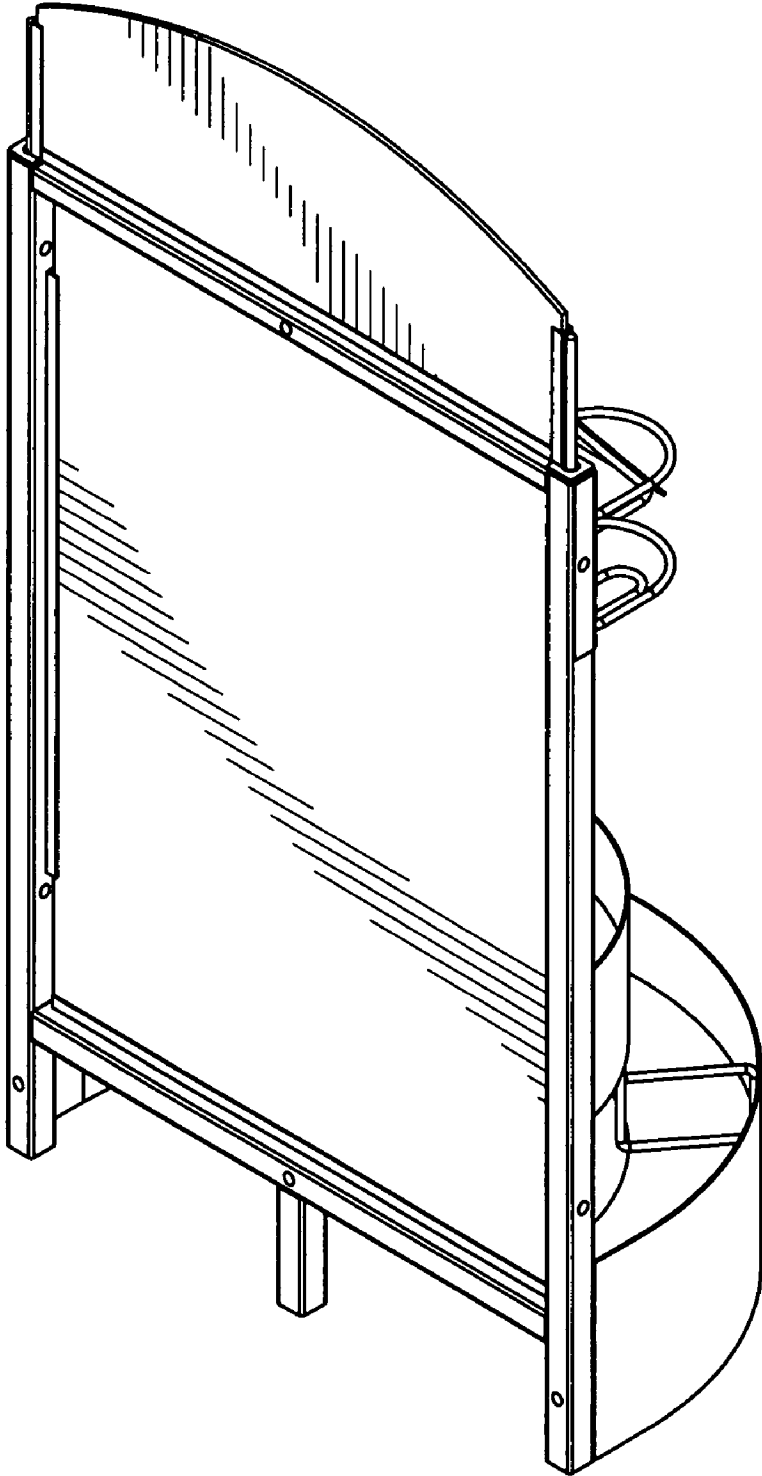


FIG. 9

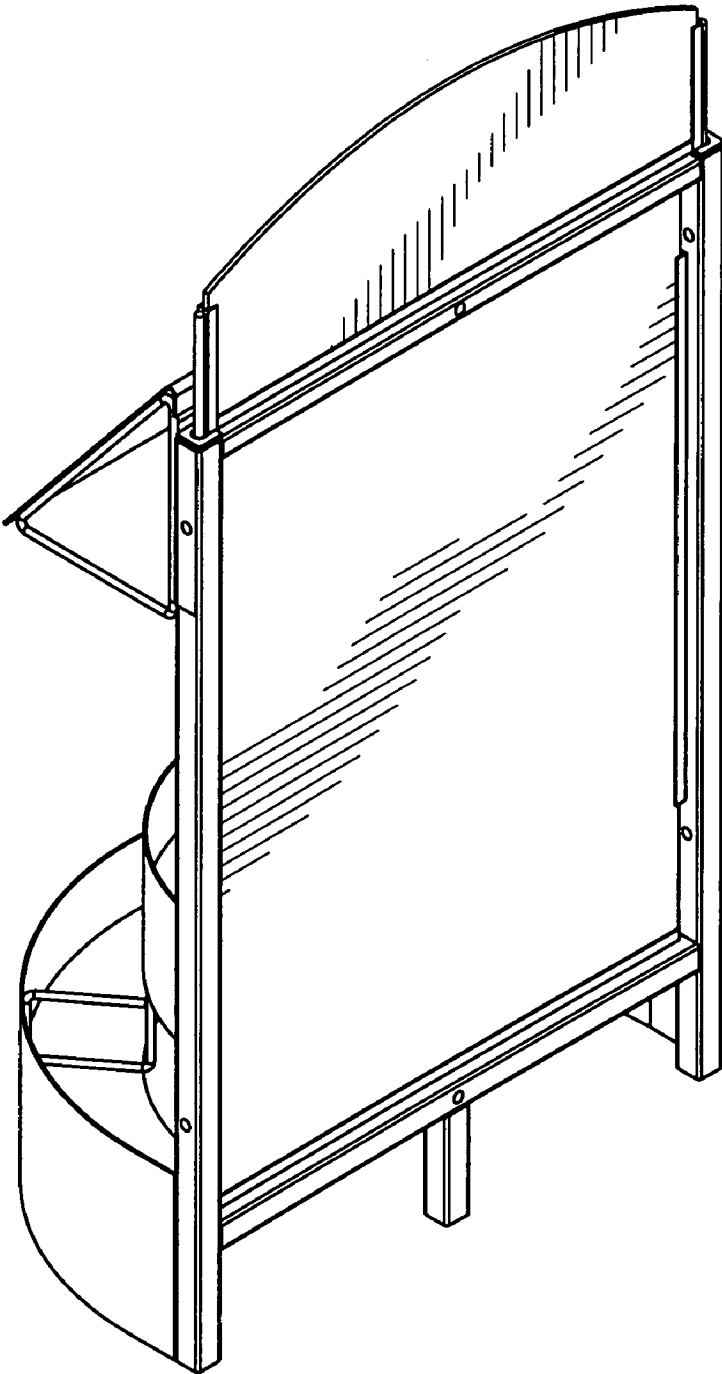


FIG. 10

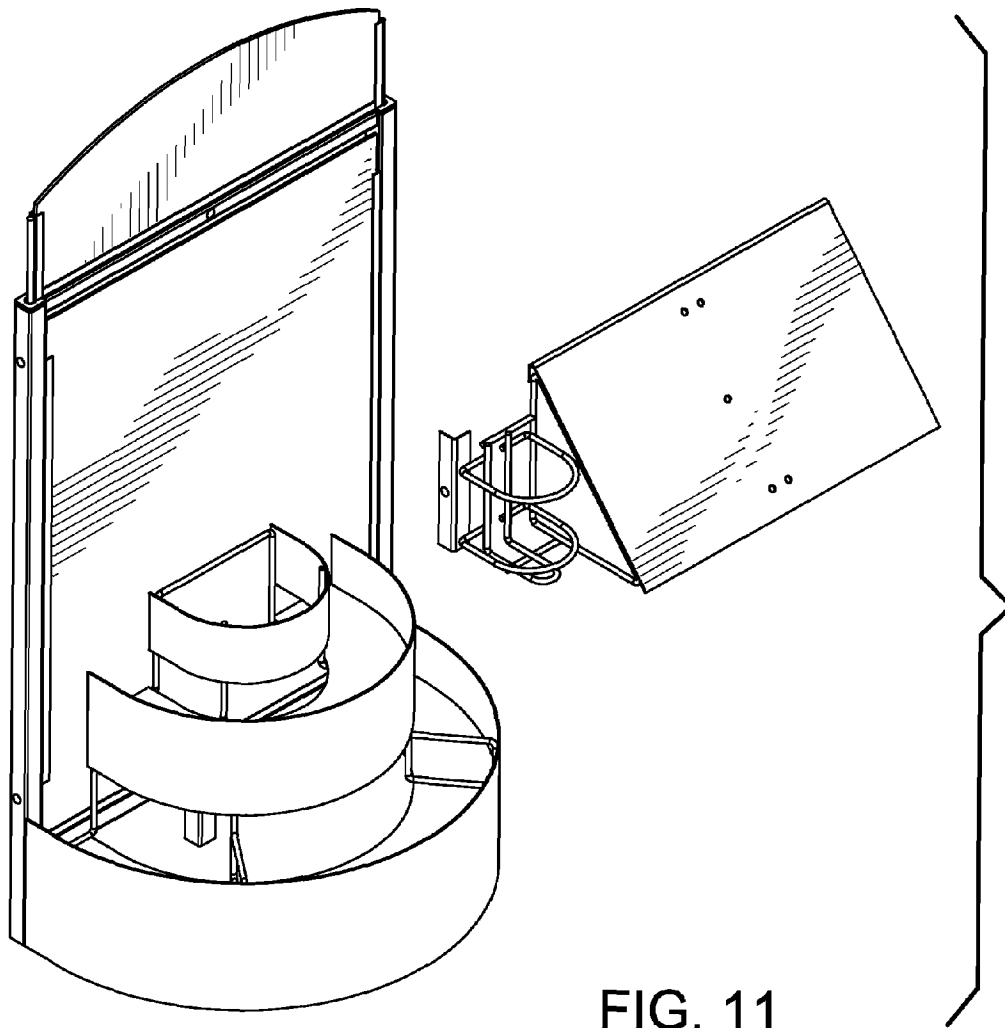


FIG. 11

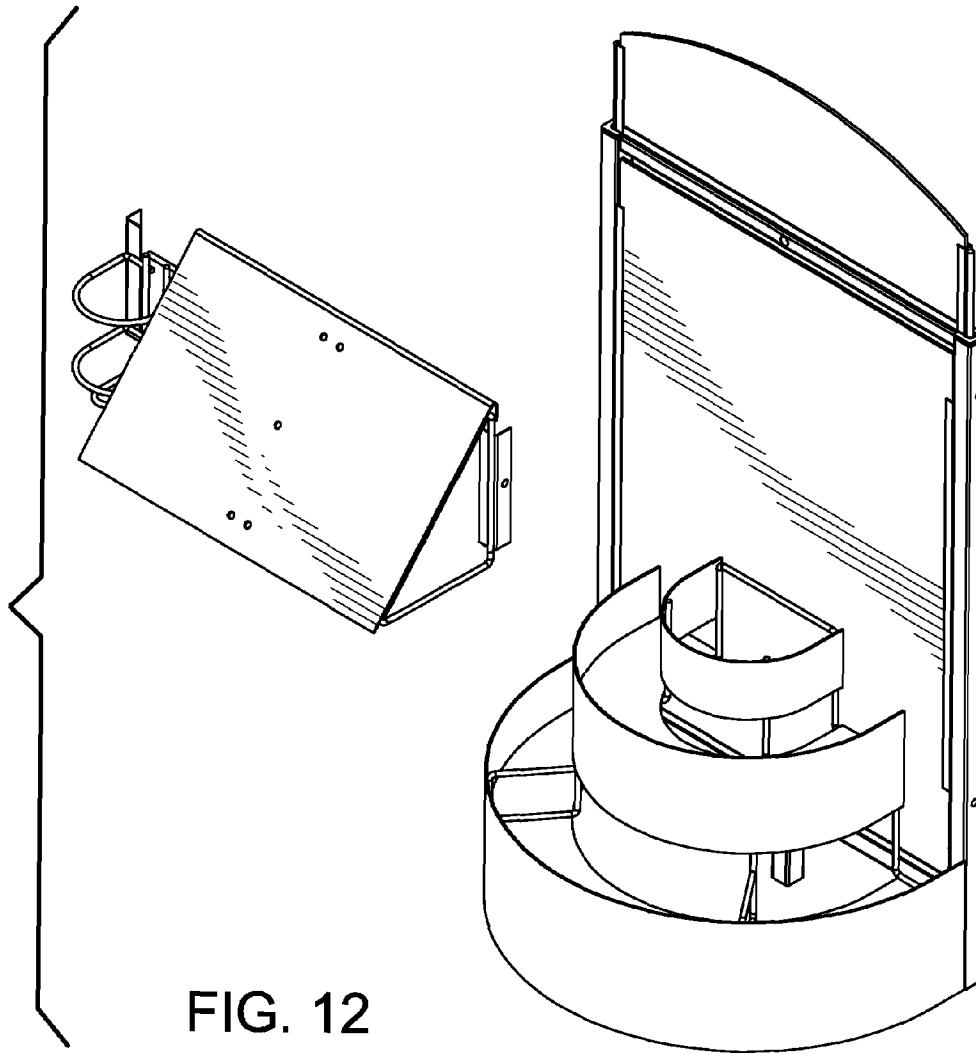


FIG. 12

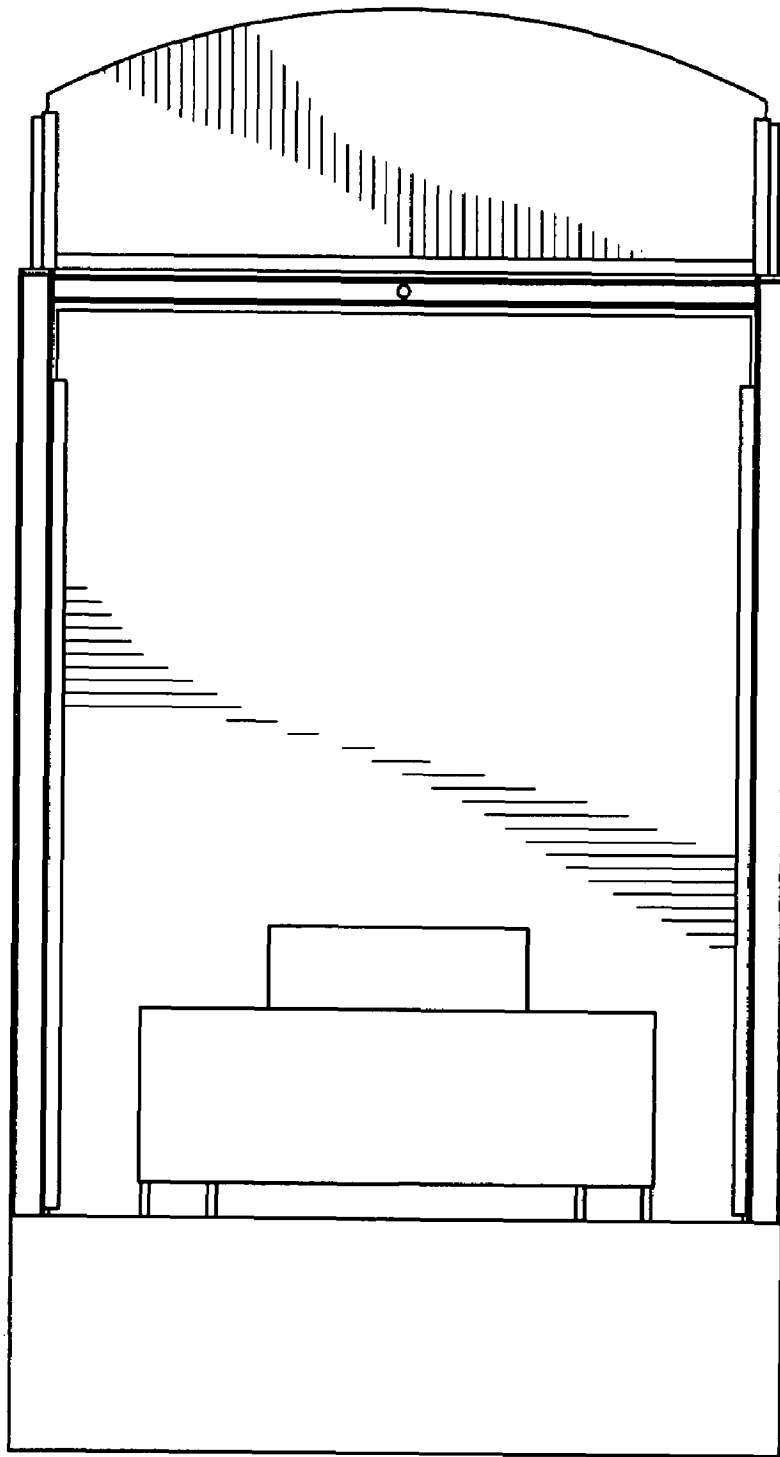
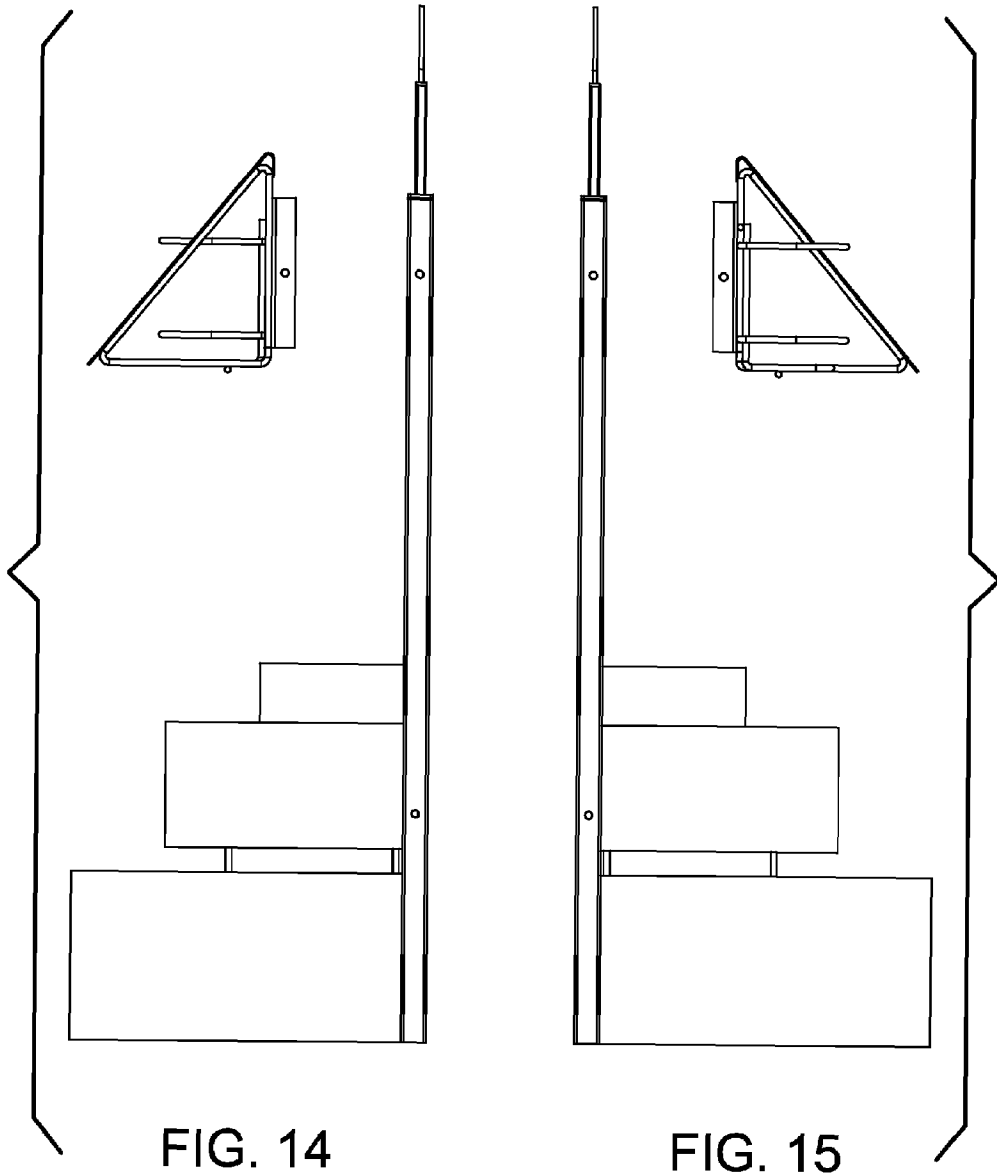


FIG. 13



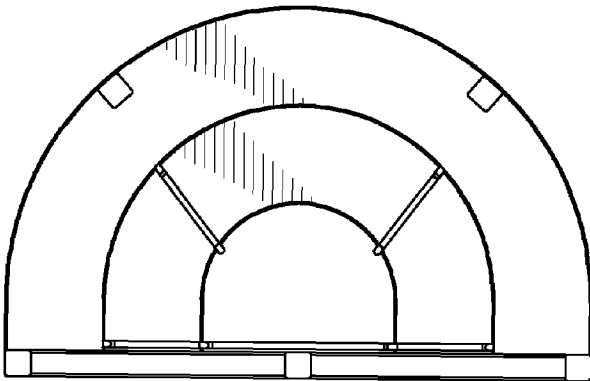
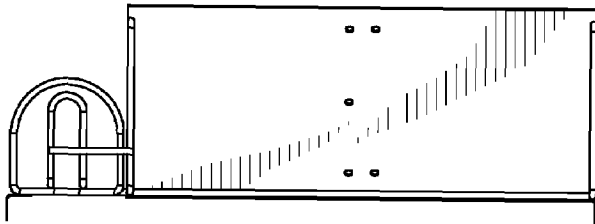
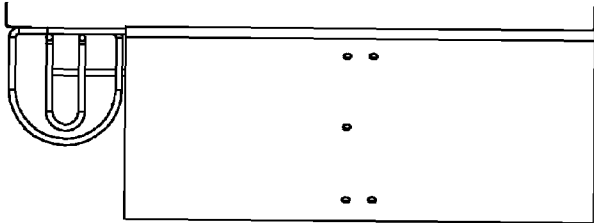
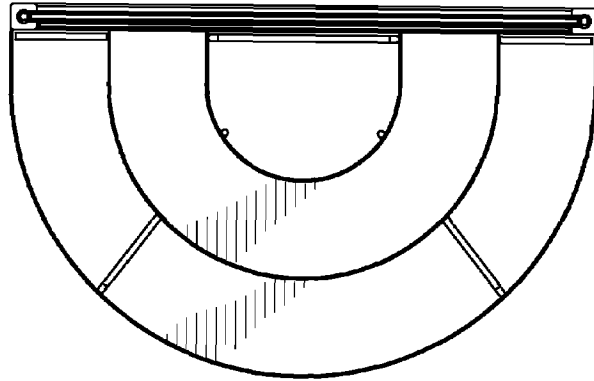


FIG. 16

FIG. 17

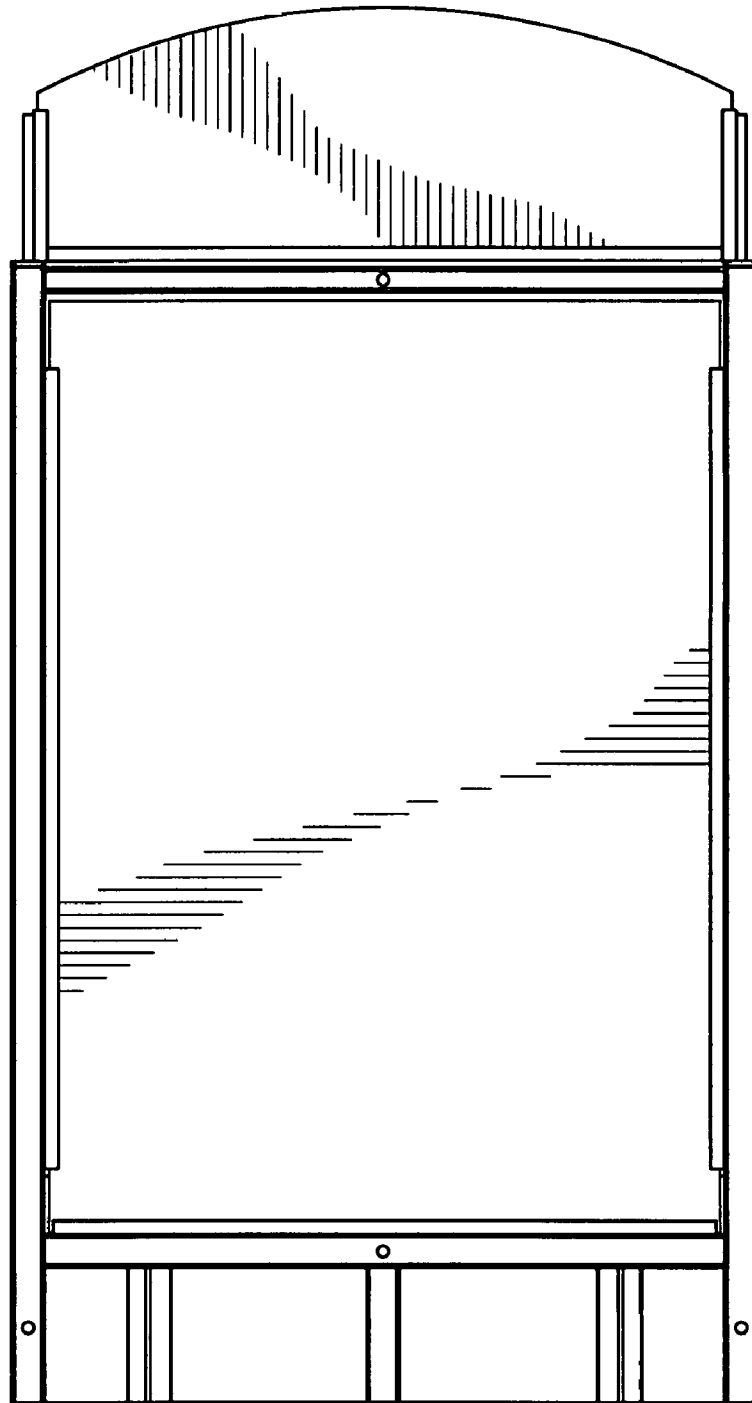


FIG. 18

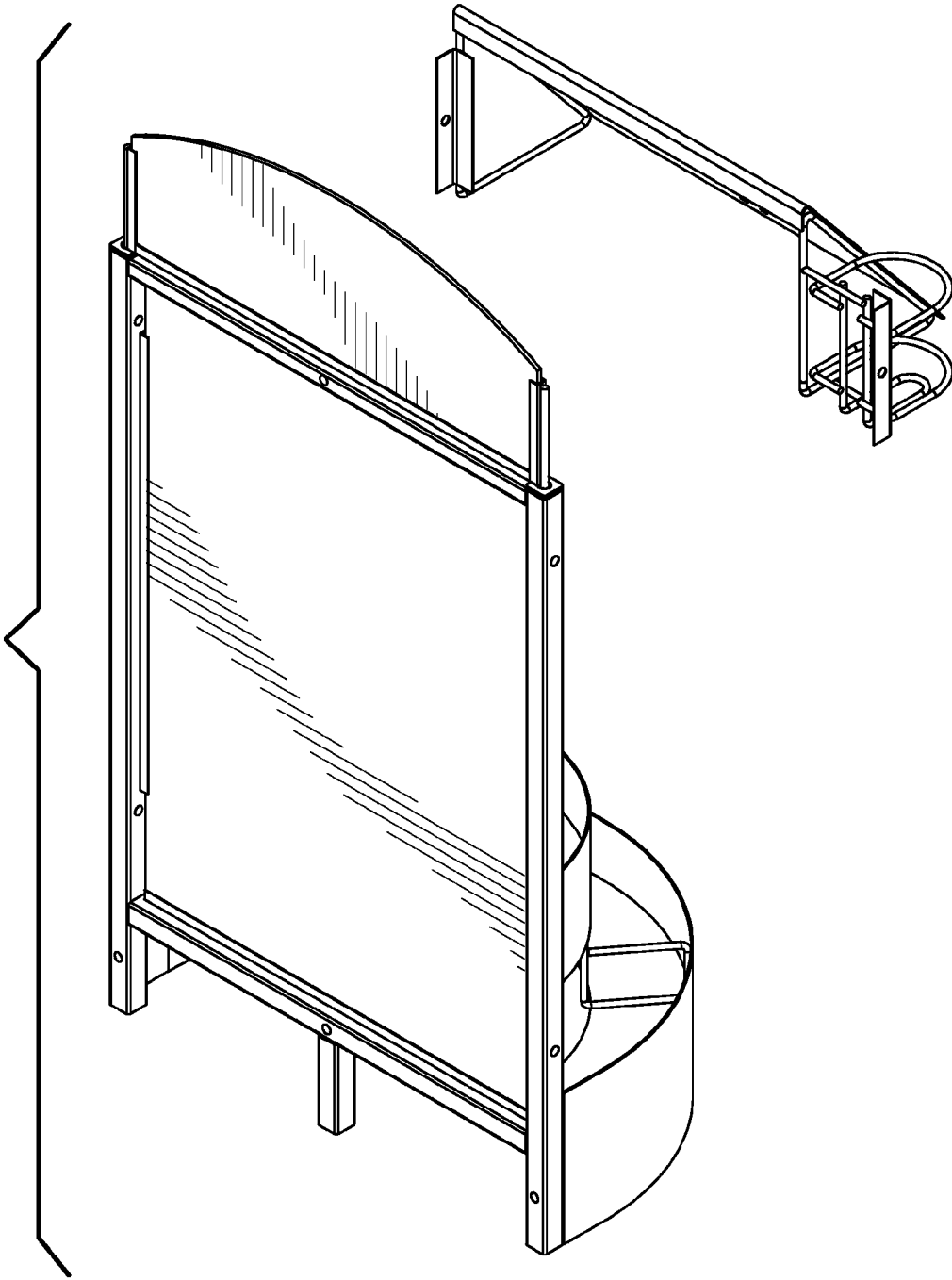


FIG. 19

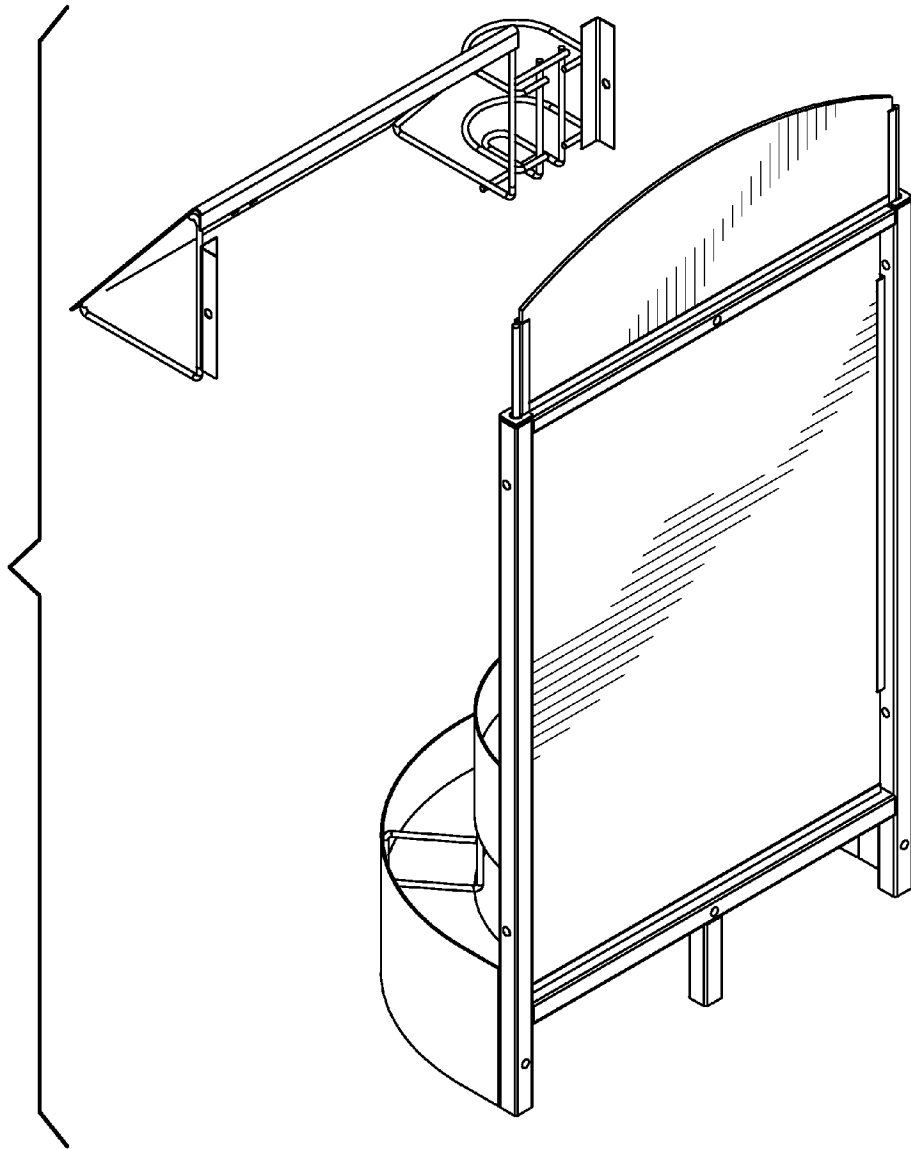


FIG. 20