



US00D584537S

(12) **United States Design Patent**
Cuzzocrea

(10) **Patent No.:** **US D584,537 S**

(45) **Date of Patent:** **** Jan. 13, 2009**

(54) **BOTTLE DISPLAY KIOSK**

(57) **CLAIM**

(76) Inventor: **Lawrence A. Cuzzocrea**, 3502 E. Vineyard Rd., Phoenix, AZ (US) 85040

The ornamental design for a “bottle display kiosk”, as shown and described.

(**) Term: **14 Years**

DESCRIPTION

(21) Appl. No.: **29/293,371**

FIG. 1 is a first front perspective view of the bottle display kiosk, showing my new design;

(22) Filed: **Nov. 20, 2007**

FIG. 2 is a second front perspective view thereof;

(51) **LOC (9) Cl.** **06-04**

FIG. 3 is a front elevational view thereof;

(52) **U.S. Cl.** **D6/458**

FIG. 4 is a left side elevational view thereof;

(58) **Field of Classification Search** **D6/467**,
D6/458, 556, 553, 465, 397, 449, 460, 457;
D7/640; D19/77, 73, 78, 85; D11/151, 143;
211/182, 43, 49.1, 13.1, 87.01, 85.31, 105.2,
211/106, 133.2, 181.1

FIG. 5 is a right side elevational view thereof;

FIG. 6 is a top plan view thereof;

FIG. 7 is a bottom plan view thereof;

FIG. 8 is a rear elevational view thereof;

FIG. 9 is a rear perspective view thereof;

FIG. 10 is a second rear perspective view thereof;

FIG. 11 is a front exploded perspective view, showing a removable display portion thereof;

FIG. 12 is a second front exploded perspective view of FIG. 11;

FIG. 13 is a front exploded view of FIG. 11;

FIG. 14 is a left side exploded view of FIG. 11;

FIG. 15 is a right side exploded view of FIG. 11;

FIG. 16 is a top plan exploded view of FIG. 11;

FIG. 17 is a bottom plan view of FIG. 11;

FIG. 18 is a rear exploded view of FIG. 11;

FIG. 19 is a rear exploded perspective view of FIG. 11; and,

FIG. 20 is a second rear exploded perspective view of FIG. 11.

The broken line showing of the environment is illustrative of preferred component alignments only and forms no part of the claimed design.

See application file for complete search history.

(56) **References Cited**

U.S. PATENT DOCUMENTS

D140,082	S	*	1/1945	Hathaway	D6/556
D279,950	S	*	8/1985	Wan	D7/640
4,787,319	A	*	11/1988	Dupraz	108/64
D342,094	S	*	12/1993	Ancona et al.	D19/77
D394,023	S	*	5/1998	Shaw	D11/151
D398,801	S	*	9/1998	Shaw	D6/556
D435,067	S	*	12/2000	Shih	D20/10
D522,271	S	*	6/2006	Arippol	D6/465
D546,584	S	*	7/2007	Brin	D6/465
D571,407	S	*	6/2008	Dean	D19/91

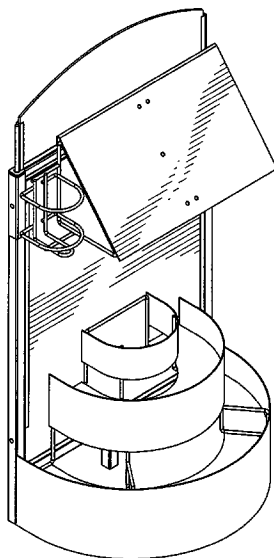
* cited by examiner

Primary Examiner—Janice E Seeger

Assistant Examiner—Sydney R Buffalow

(74) *Attorney, Agent, or Firm*—Stoneman Volk Patent Group;
Martin L. Stoneman; Michael D. Volk, Jr.

1 Claim, 16 Drawing Sheets



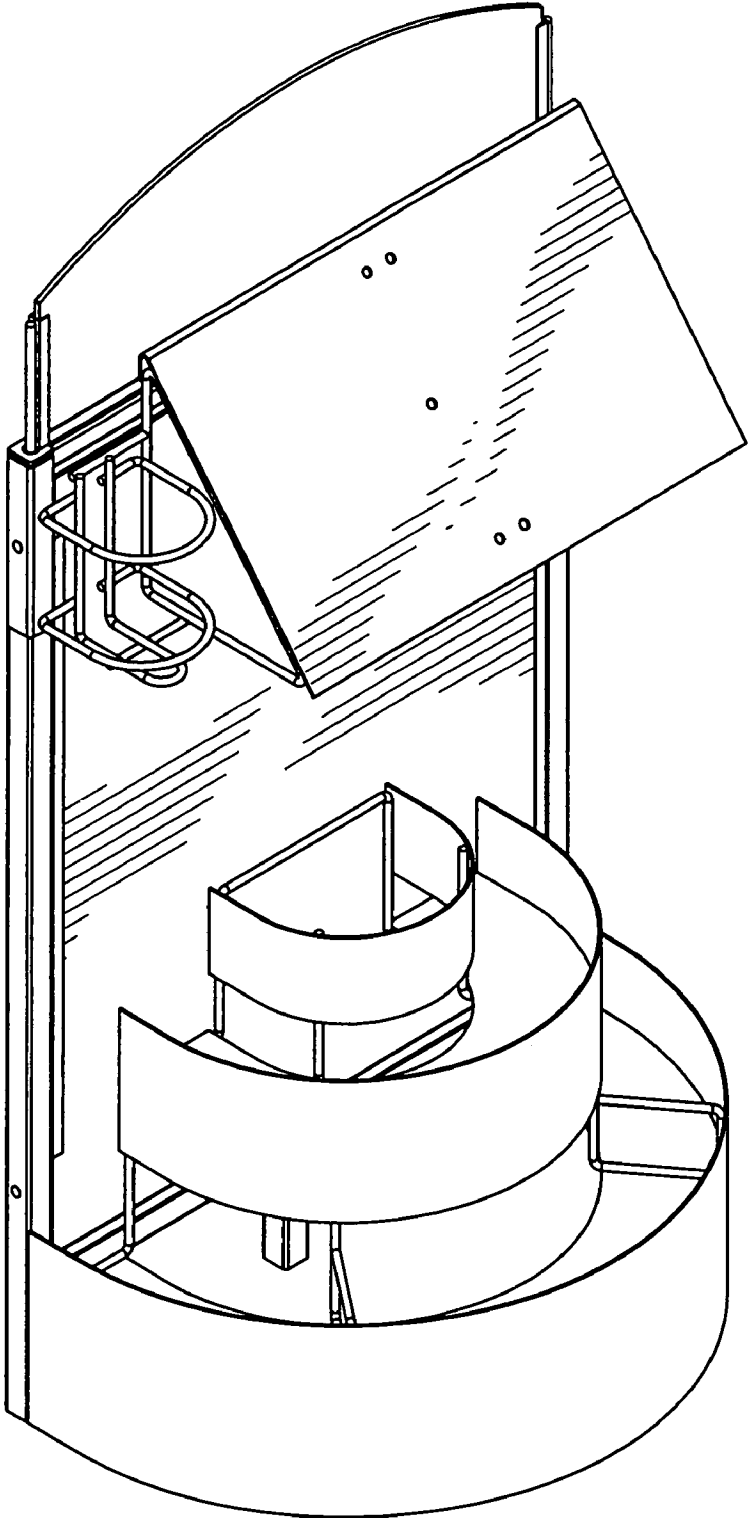


FIG. 1

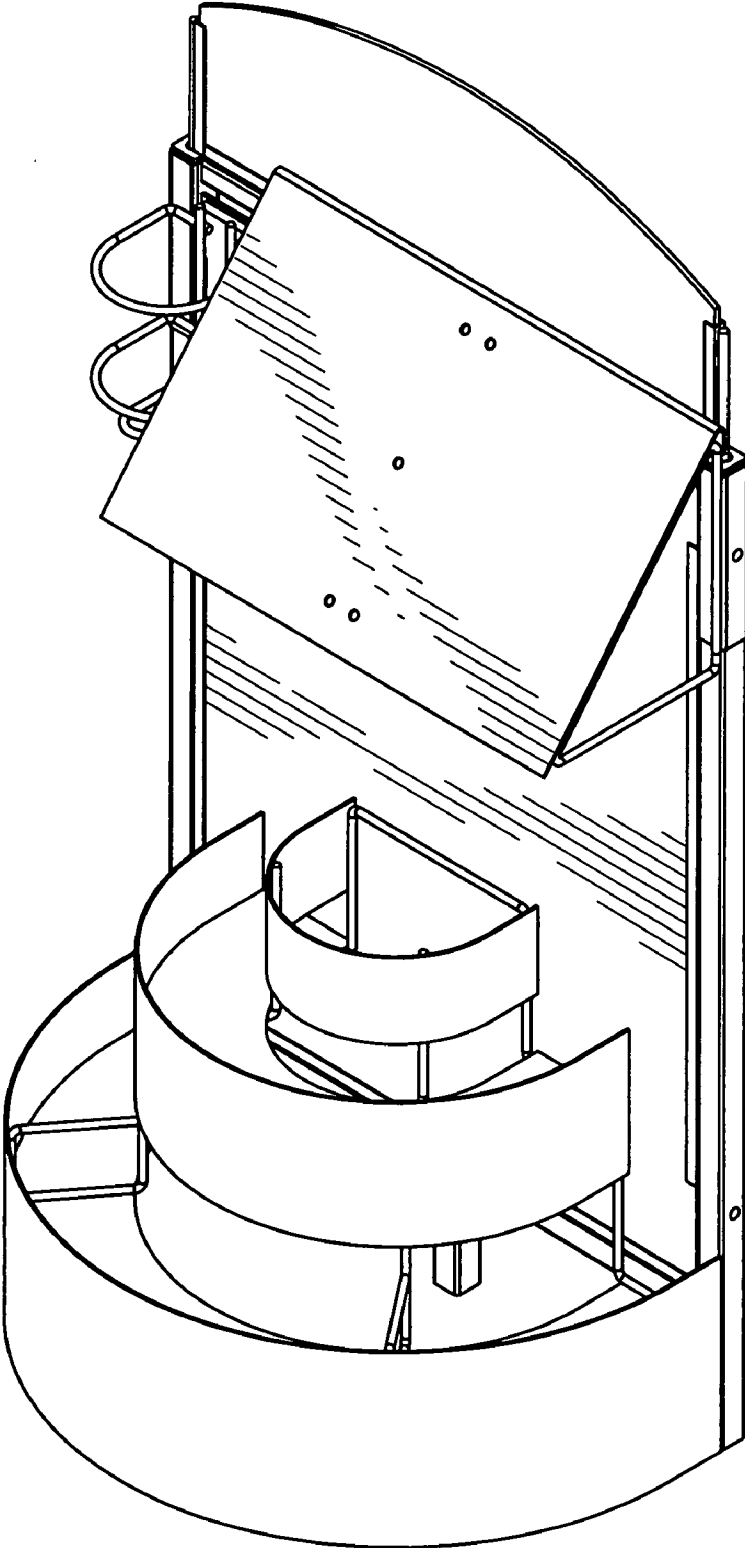


FIG. 2

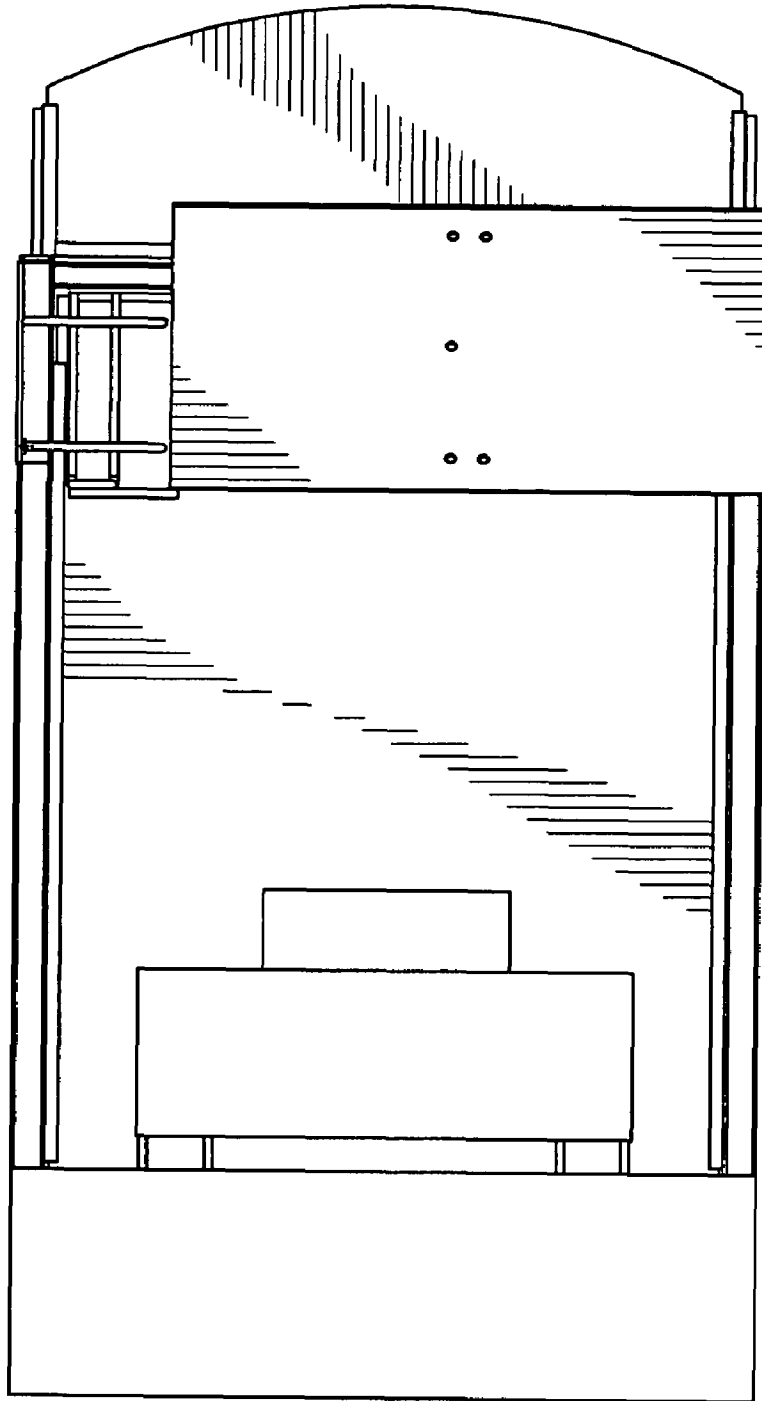


FIG. 3

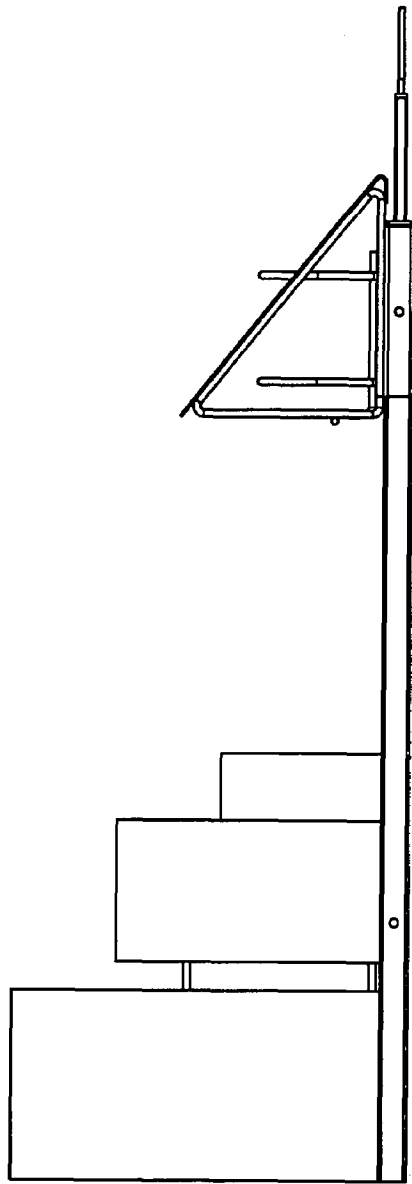


FIG. 4

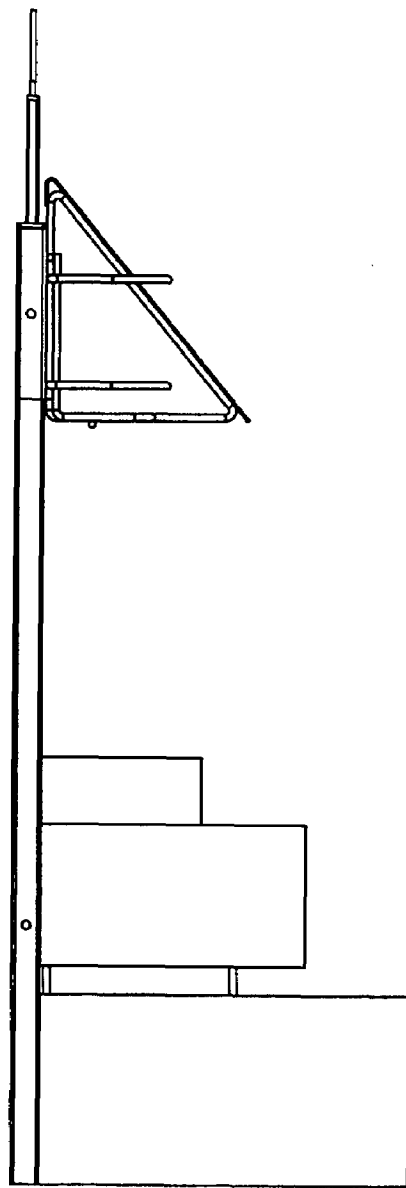


FIG. 5

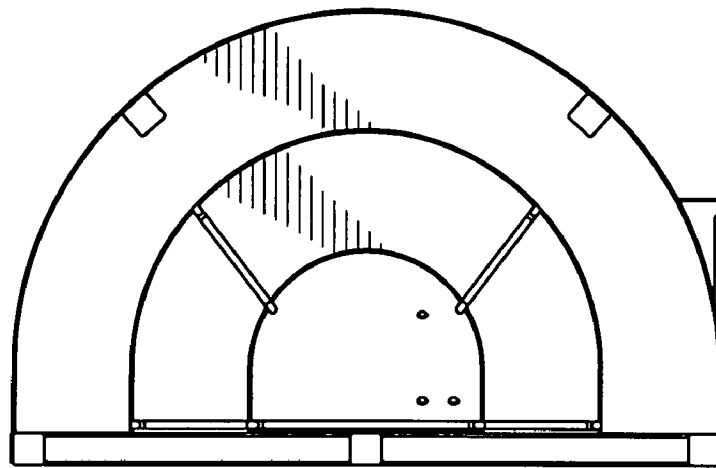


FIG. 7

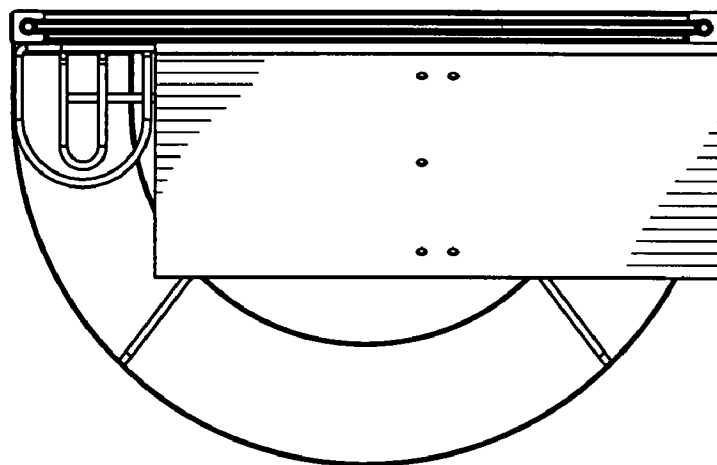


FIG. 6

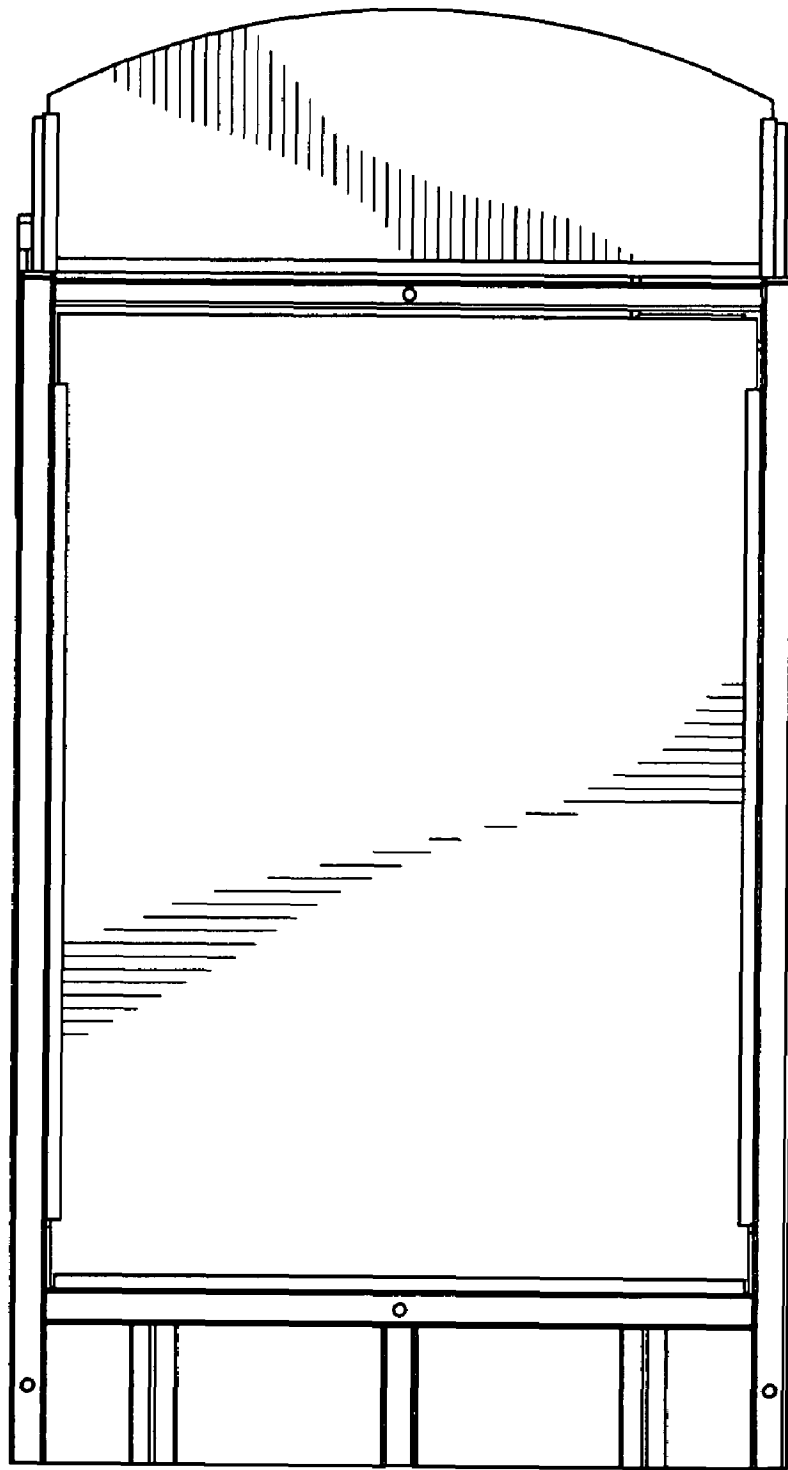


FIG. 8

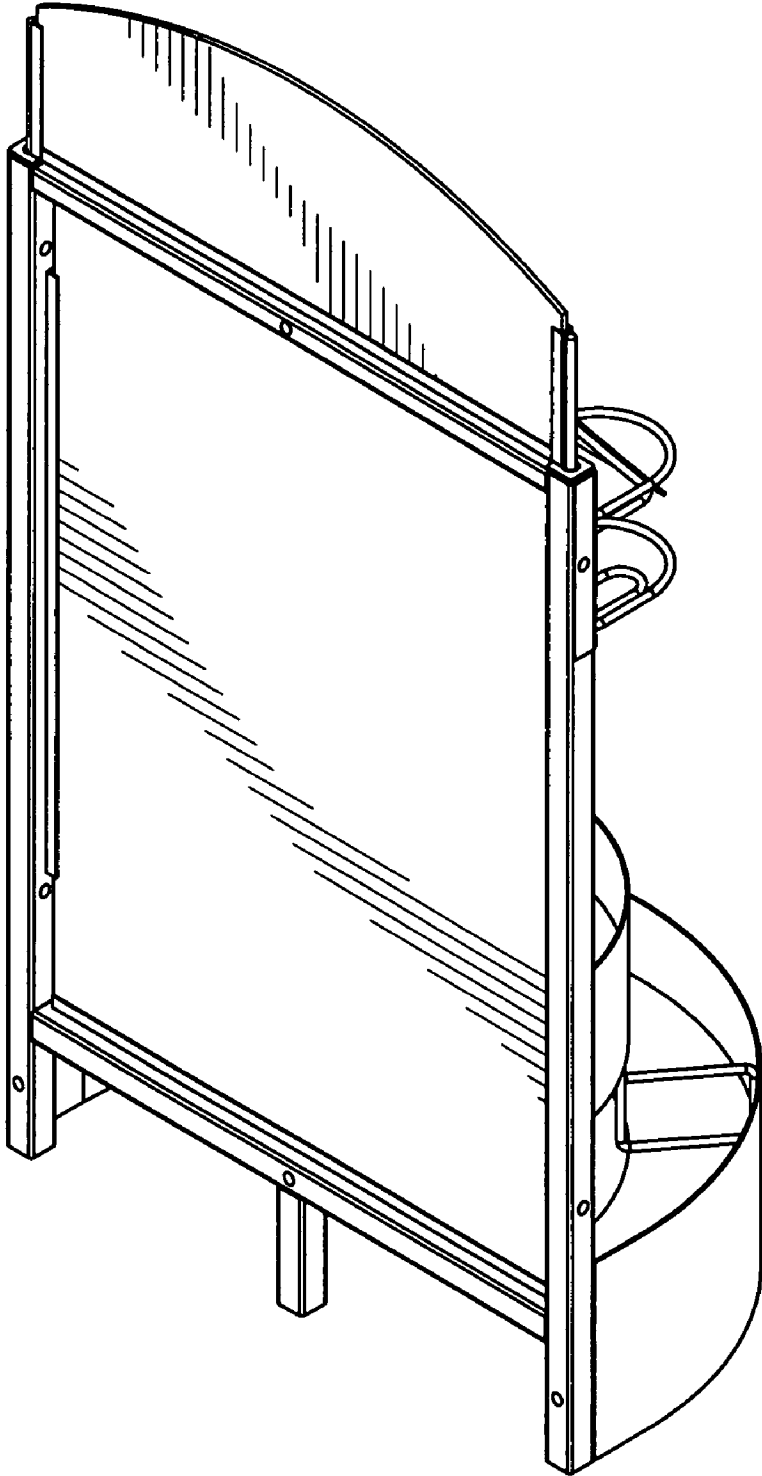


FIG. 9

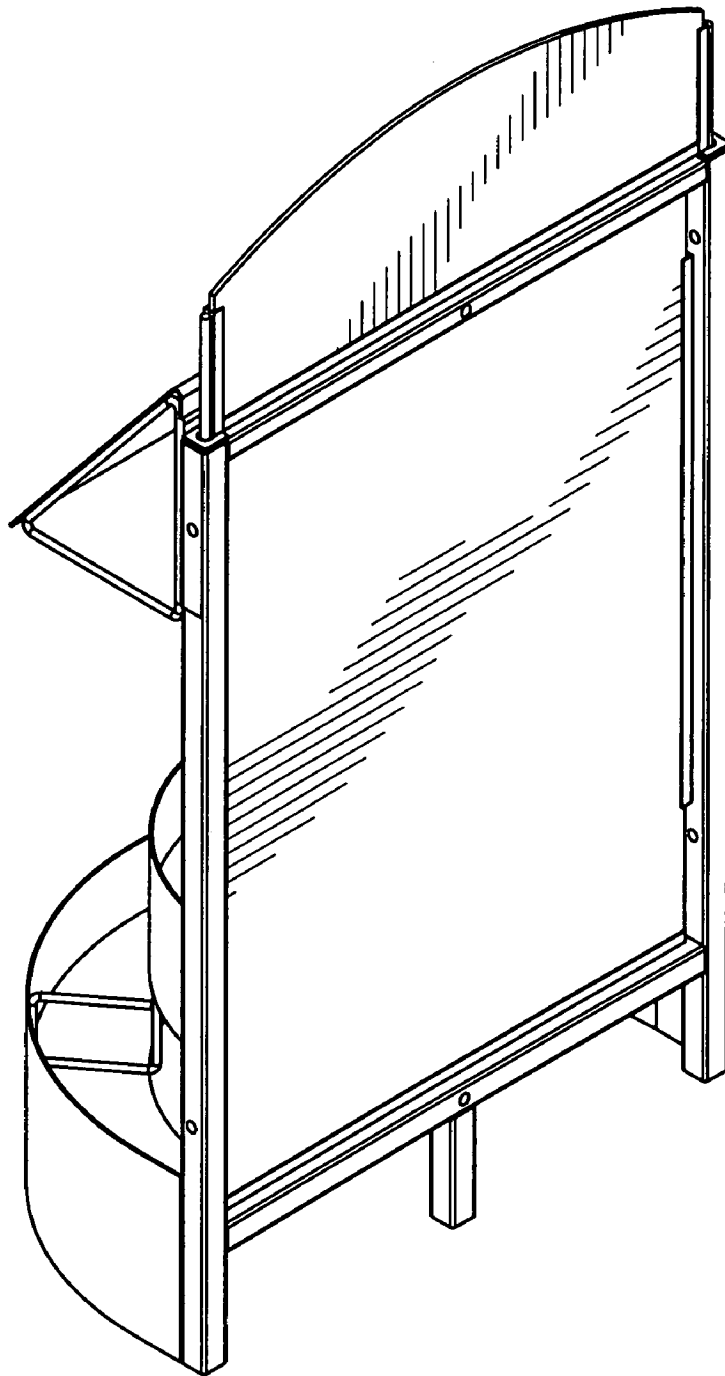


FIG. 10

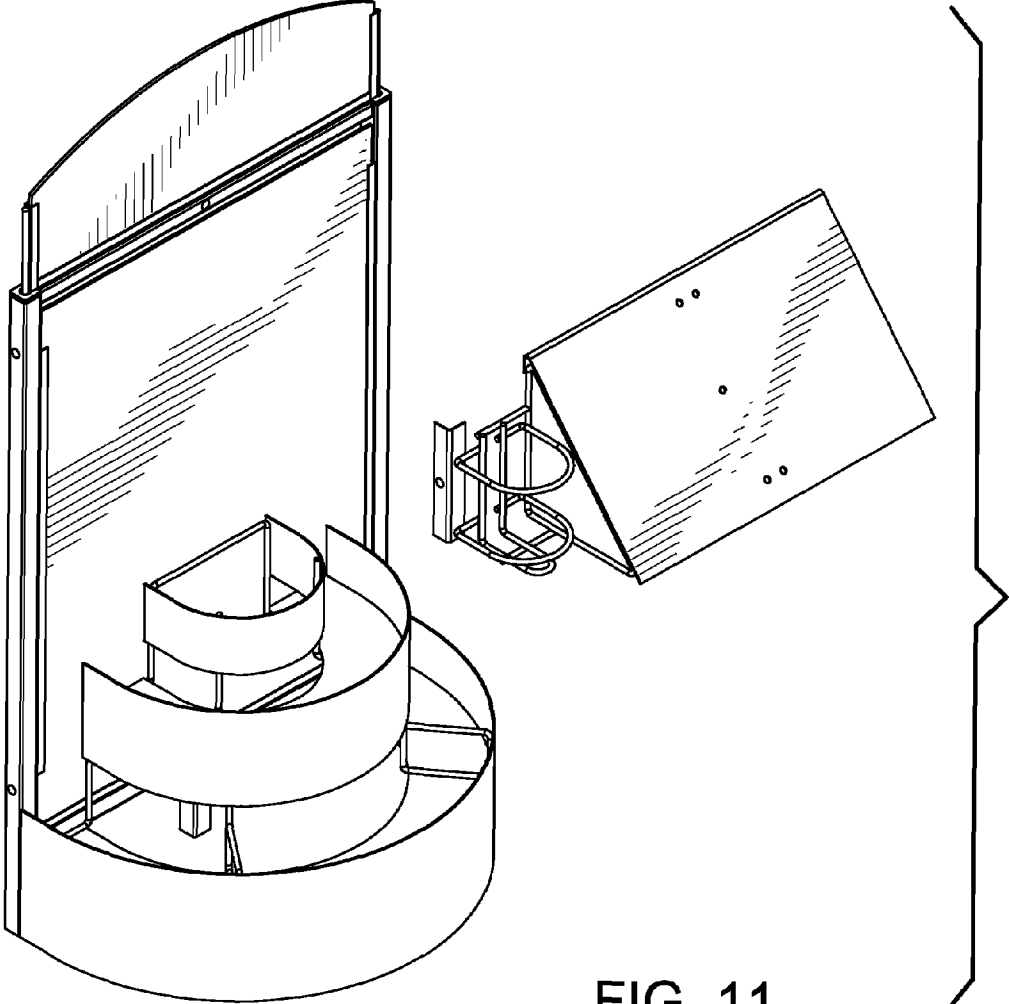


FIG. 11

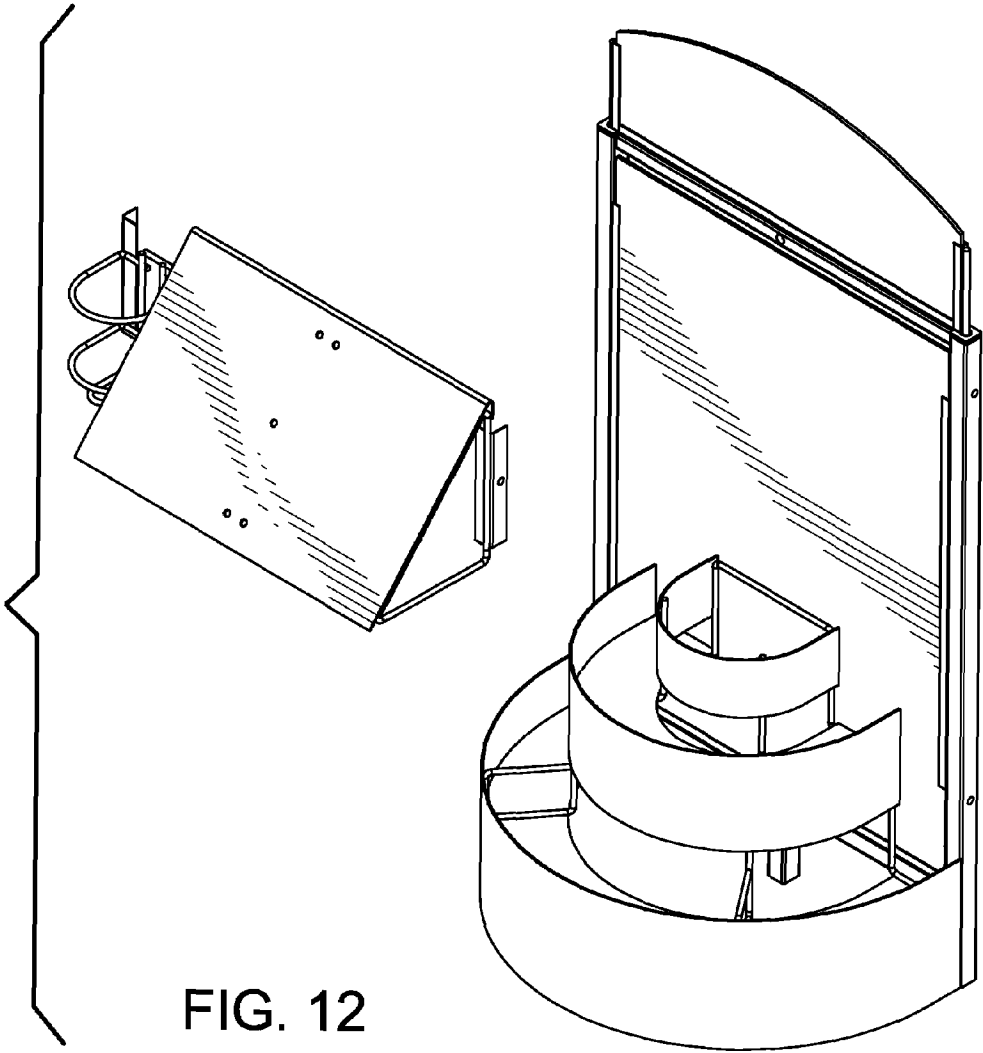


FIG. 12

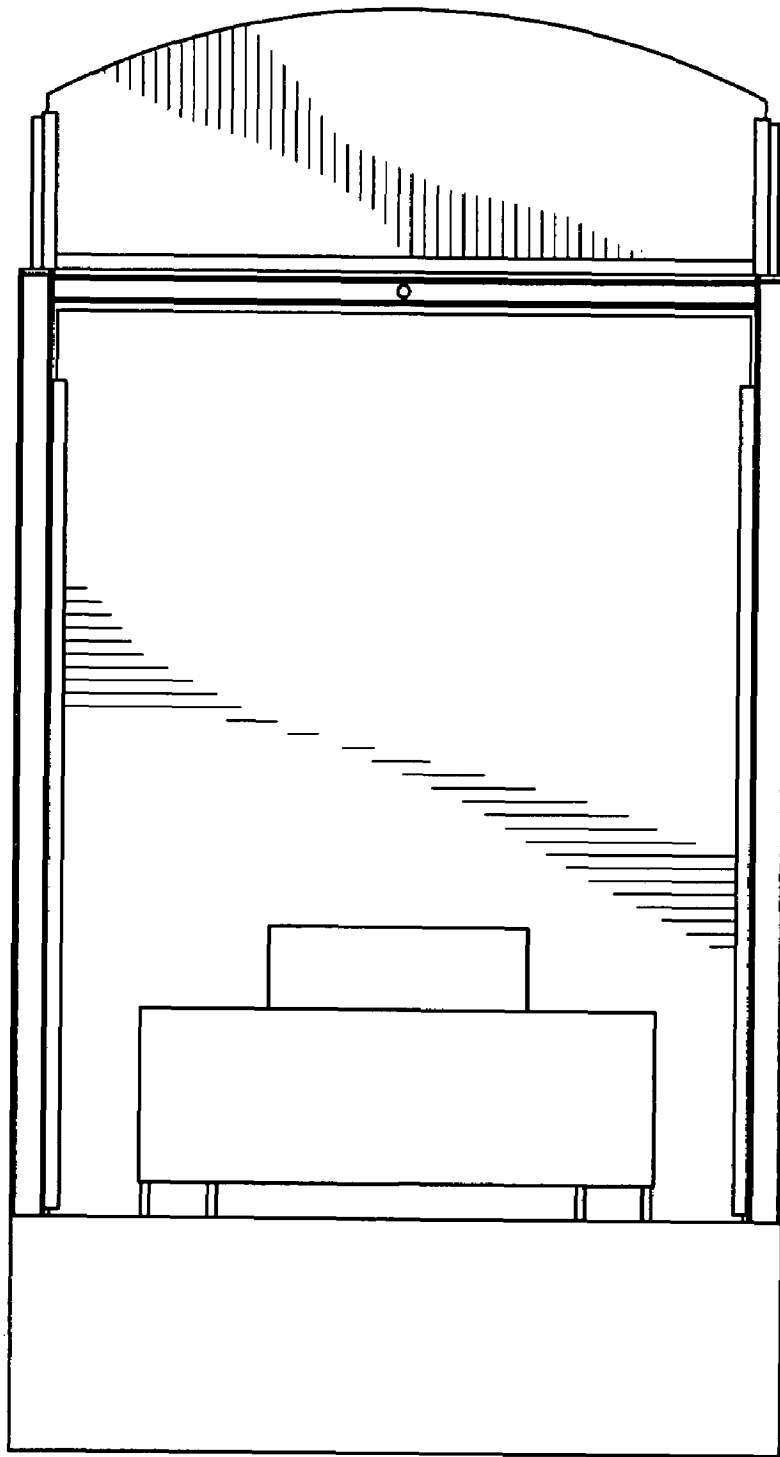
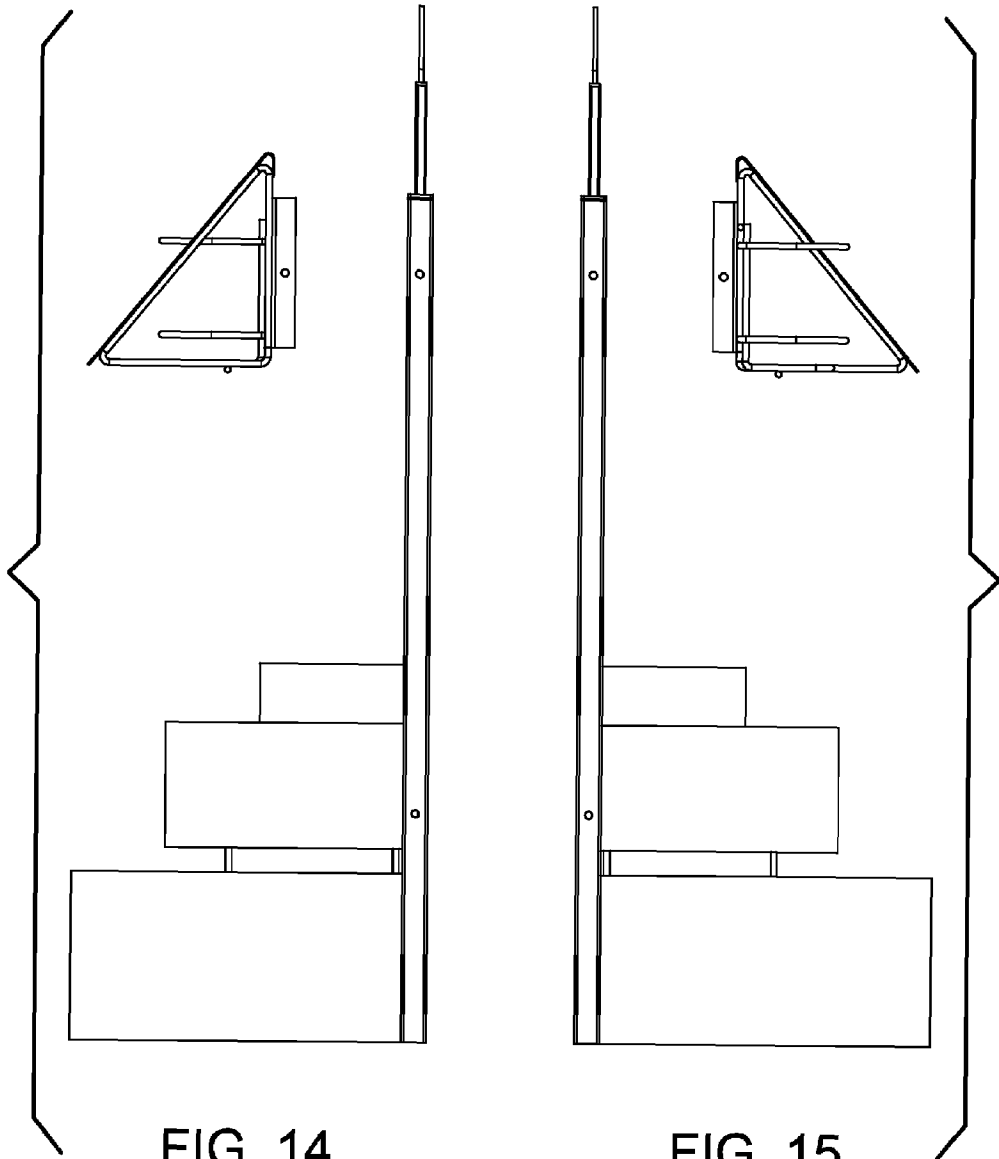


FIG. 13



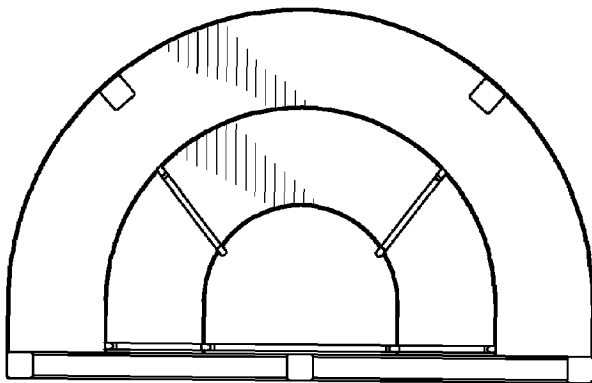
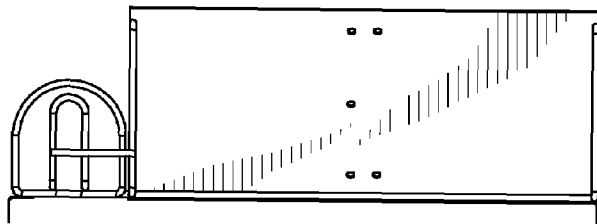
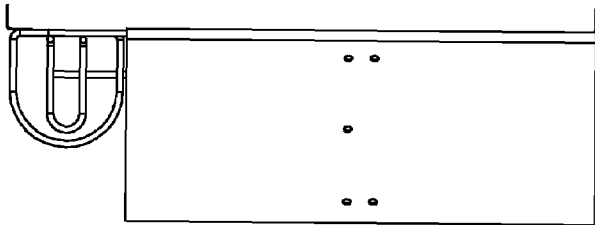
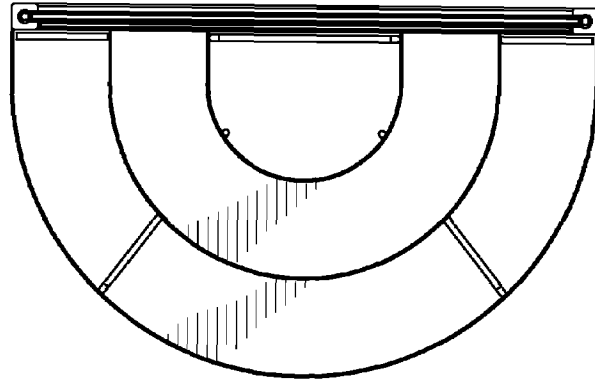


FIG. 16

FIG. 17

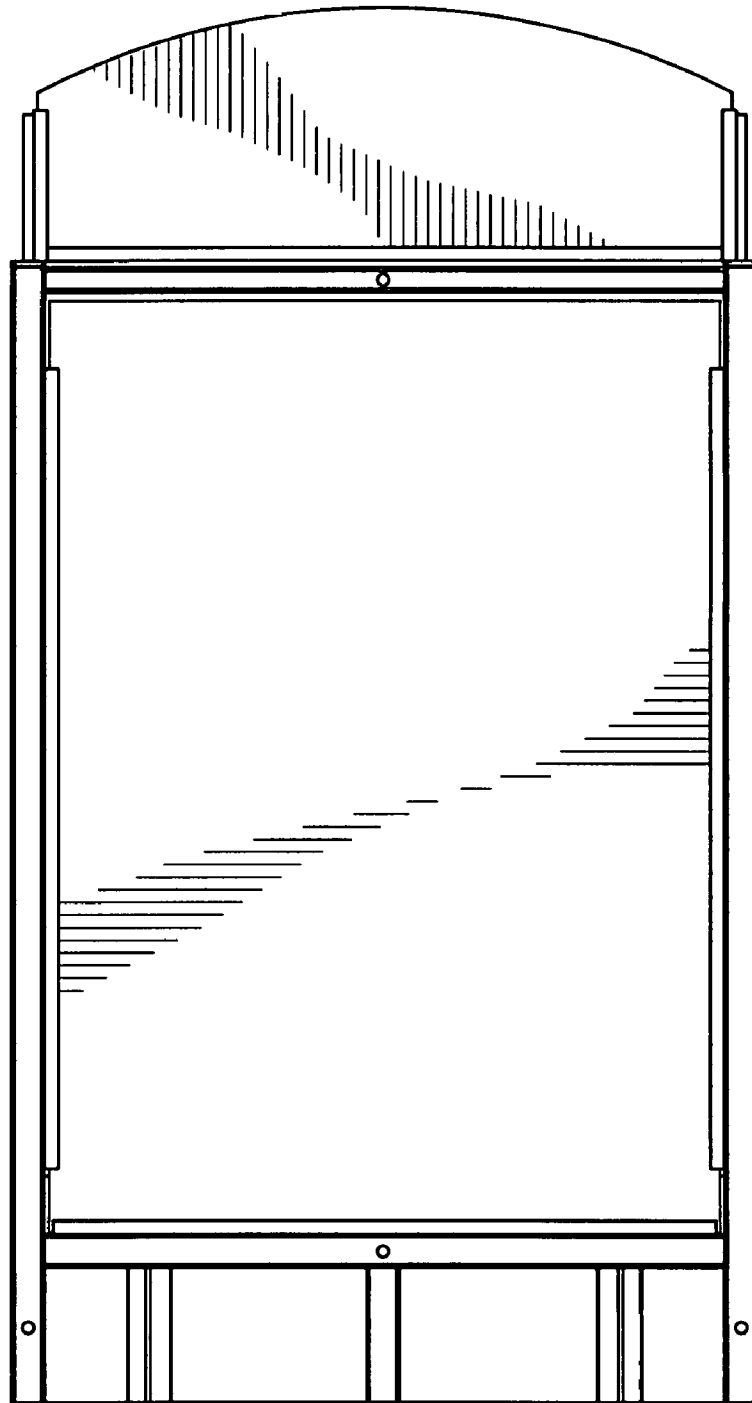


FIG. 18

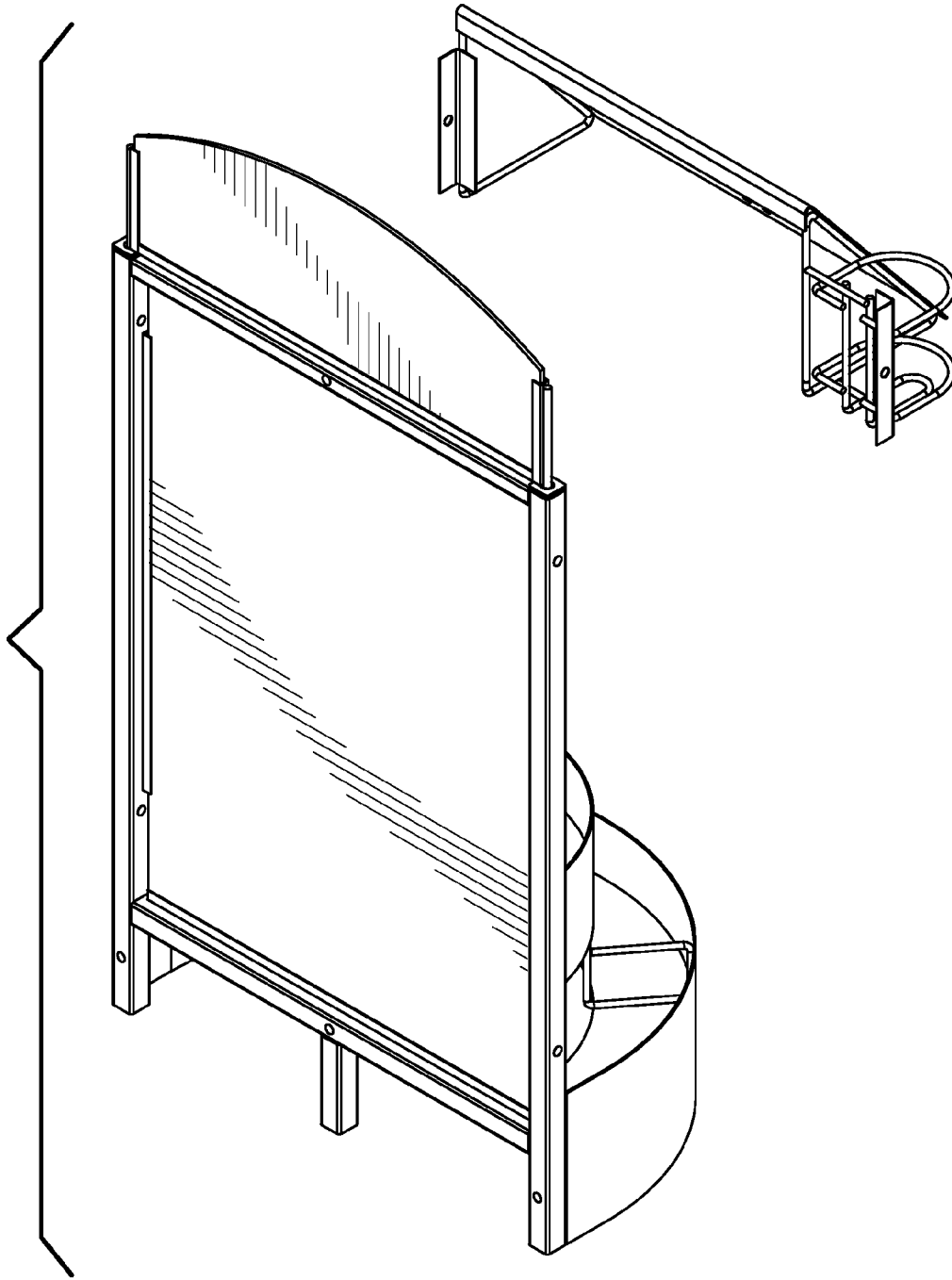


FIG. 19

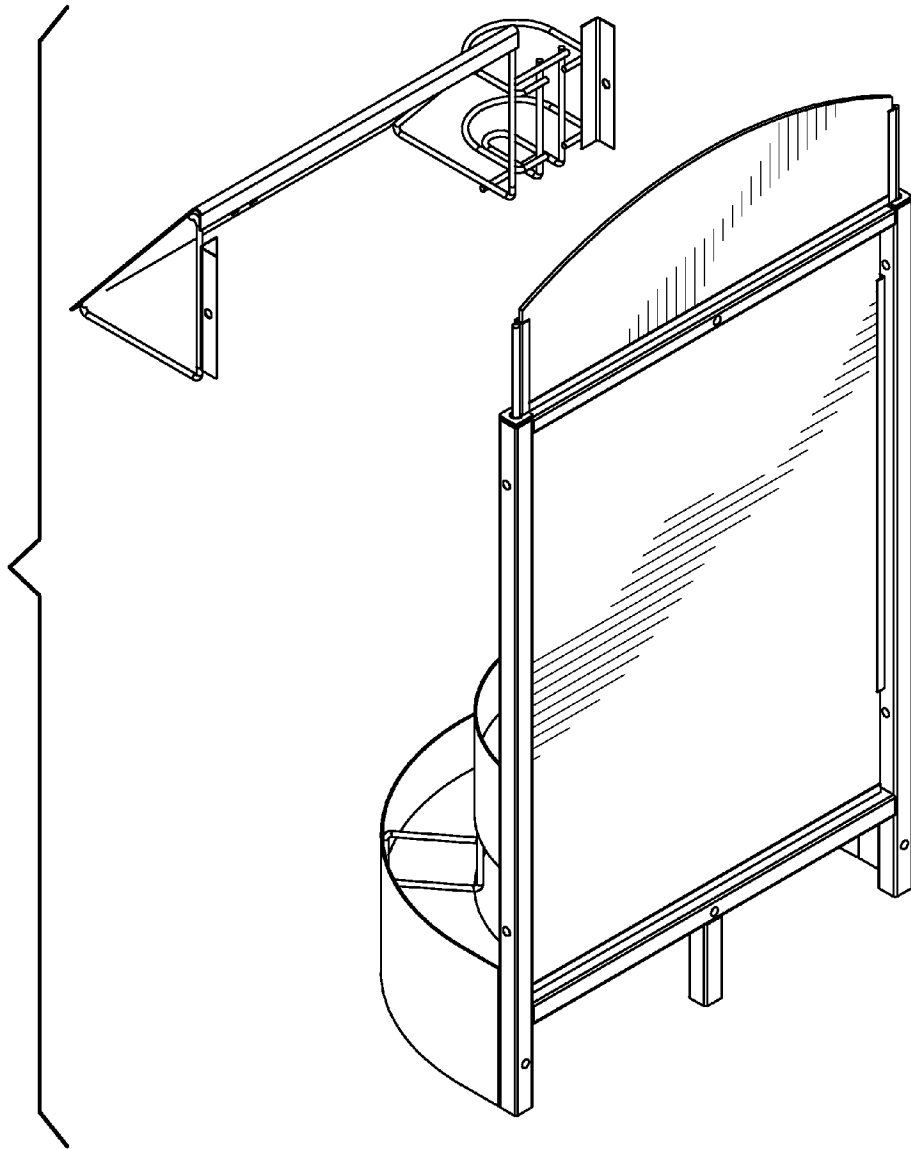


FIG. 20