

(19) World Intellectual Property Organization
International Bureau



(43) International Publication Date
15 October 2009 (15.10.2009)

PCT

(10) International Publication Number
WO 2009/126589 A1

- (51) International Patent Classification:
A45B 25/22 (2006.01) A45B 25/02 (2006.01)
- (21) International Application Number:
PCT/US2009/039690
- (22) International Filing Date:
6 April 2009 (06.04.2009)
- (25) Filing Language: English
- (26) Publication Language: English
- (30) Priority Data:
61/043,105 7 April 2008 (07.04.2008) US
61/061,612 14 June 2008 (14.06.2008) US
12/354,323 15 January 2009 (15.01.2009) US

AO, AT, AU, AZ, BA, BB, BG, BH, BR, BW, BY, BZ, CA, CH, CN, CO, CR, CU, CZ, DE, DK, DM, DO, DZ, EC, EE, EG, ES, FI, GB, GD, GE, GH, GM, GT, HN, HR, HU, ID, IL, IN, IS, JP, KE, KG, KM, KN, KP, KR, KZ, LA, LC, LK, LR, LS, LT, LU, LY, MA, MD, ME, MG, MK, MN, MW, MX, MY, MZ, NA, NG, NI, NO, NZ, OM, PG, PH, PL, PT, RO, RS, RU, SC, SD, SE, SG, SK, SL, SM, ST, SV, SY, TJ, TM, TN, TR, TT, TZ, UA, UG, US, UZ, VC, VN, ZA, ZM, ZW.

(71) Applicant (for all designated States except US): **BACIK, Kathleen** [US/US]; 9819 E. Topaz Dr., Scottsdale, AZ 85258 (US).

(84) Designated States (unless otherwise indicated, for every kind of regional protection available): ARIPO (BW, GH, GM, KE, LS, MW, MZ, NA, SD, SL, SZ, TZ, UG, ZM, ZW), Eurasian (AM, AZ, BY, KG, KZ, MD, RU, TJ, TM), European (AT, BE, BG, CH, CY, CZ, DE, DK, EE, ES, FI, FR, GB, GR, HR, HU, IE, IS, IT, LT, LU, LV, MC, MK, MT, NL, NO, PL, PT, RO, SE, SI, SK, TR), OAPI (BF, BJ, CF, CG, CI, CM, GA, GN, GQ, GW, ML, MR, NE, SN, TD, TG).

(71) Applicant and
(72) Inventor: **BACIK, John, Andrew** [US/US]; 9819 E. Topaz Dr., Scottsdale, AZ 85258 (US).

Published:
— with international search report (Art. 21(3))
— before the expiration of the time limit for amending the claims and to be republished in the event of receipt of amendments (Rule 48.2(h))

(74) Agent: **VOLK, Michael, D.**; Stoneman Volk Patent Group, 3770 N. 7th St., Suite 100, Phoenix, AZ 85014-5022 (US).

(81) Designated States (unless otherwise indicated, for every kind of national protection available): AE, AG, AL, AM,

(54) Title: FLEXIBLE UMBRELLA SYSTEMS

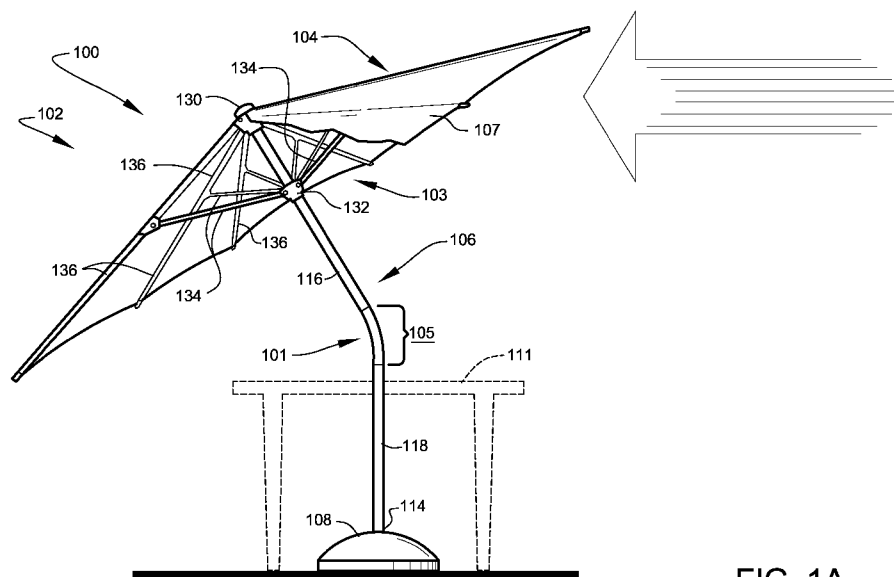


FIG. 1A

(57) Abstract: An umbrella system relating to the general protection of fixed outdoor umbrellas, especially during windy conditions. The umbrella system uses a supportive shaft equipped with a resiliently deformable region allowing omni-directional bending under wind loading. A preferred embodiment of the deformable region comprises a helical spring.

WO 2009/126589 A1

FLEXIBLE UMBRELLA SYSTEMS

BACKGROUND

This invention relates to providing a system for improved umbrellas. More particularly, this invention relates to providing a system for the general protection of fixed outdoor umbrellas, especially during windy conditions.

Conventional outdoor patio umbrellas, for protection from rain or sun, typically comprise a cover portion supported by a rigid shaft. Such conventional outdoor patio umbrellas are often used to shade patio tables or other outdoor furniture. Large outdoor patio-type umbrellas are generally designed to withstand small to moderate wind loading. It is common for the supportive shafts of such umbrellas to fracture or even snap in half under heavy wind loads, especially if made out of a material prone to fracture, such as many woods, etc. Moreover, the supportive members within the fabric canopy are susceptible to impact damage should the umbrella tip, as may occur following a strong wind gust.

Many umbrella manufacturers recommend removing and storing such umbrellas if windy conditions are anticipated. Removing and storing such umbrellas is especially inconvenient to users who must make special efforts to protect the umbrellas prior to inclement weather. An invention to enable the canopy and support shaft of such umbrellas to better withstand structural forces due to wind loading, would be of benefit to many.

OBJECTS AND FEATURES OF THE INVENTION

A primary object and feature of the present invention is to provide a system overcoming the above-mentioned problems.

It is a further primary object and feature of the present invention to provide such a system to protect an umbrella center-shaft during windy conditions.

It is another object and feature of the present invention to provide such a system to protect the supportive members of an umbrella fabric canopy should the umbrella overturn in windy conditions.

A further primary object and feature of the present invention is to provide such a system that is efficient, inexpensive, and handy. Other objects and features of this invention will become apparent with reference to the following descriptions.

SUMMARY OF THE INVENTION

In accordance with a preferred embodiment hereof, this invention provides an umbrella system related to reducing wind damage in outdoor umbrellas subjected to at least one wind load during use, such system comprising: at least one umbrella structured and arranged to provide umbrella-type shade protection; wherein such at least one umbrella comprises at least one umbrella shade structured and arranged to provide such umbrella-type shade protection, and coupled with such at least one umbrella shade, at least one shaft support structured and arranged to support such at least one umbrella shade in at least

one operable position; wherein such at least one shaft support comprises at least one omni-directional flexor structured and arranged to provide omni-directional flexing of such at least one shaft support when such at least one umbrella shade is subjected to the at least one wind load; wherein such omni-directional flexing assists in reducing deflection-related failure within such at least one shaft support when such at least one shaft support is subjected to force loading.

Moreover, it provides such an umbrella system wherein such at least one shaft support further comprises: at least one first substantially rigid shaft portion comprising at least one first longitudinal axis; at least one second substantially rigid shaft portion comprising at least one second longitudinal axis; and at least one shaft-end coupler structured and arranged to structurally couple such at least one first substantially rigid shaft portion to such at least one umbrella shade portion; wherein such at least one shaft-end coupler is structured and arranged to transmit at least one non-axial force between such at least one first substantially rigid shaft portion and such at least one umbrella shade portion; wherein such at least one omni-directional flexor comprises at least one resilient member structured and arranged to provide resilient bending in response to non-axial force loading, at least one first shaft coupler structured and arranged to couple such at least one resilient member to such at least one first substantially rigid shaft portion, and at least one second shaft coupler structured and

arranged to couple such at least one resilient member to such at least one second substantially rigid shaft portion.

Additionally, it provides such an umbrella system wherein such at least one omni-directional flexor further comprises at least one biaser structured and arranged to bias such first longitudinal axis and such at least one second longitudinal axis to at least one substantially coaxial orientation. Also, it provides such an umbrella system wherein such at least one biaser provides for movement of such first longitudinal axis and such at least one second longitudinal axis away from such at least one substantially coaxial orientation when a predetermined level of force is applied to such at least one first substantially rigid shaft portion.

In addition, it provides such an umbrella system wherein such at least one resilient member comprises at least one coiled spring. And, it provides such an umbrella system wherein such at least one coiled spring is capable of storing at least one spring return force of sufficient magnitude to return such at least one first shaft portion and such at least one second shaft portion to such at least one substantially coaxial orientation when such force applied to such at least one first shaft portion is substantially absent.

Further, it provides such an umbrella system wherein such resilient bending occurs substantially within such at least one coiled spring. Even further, it provides such an umbrella system further comprising: at least one outer cover structured

and arranged to cover such at least one coiled spring; wherein such at least one outer cover comprises at least one substantially resilient composition structured and arranged to resiliently deform in coordination with such resilient bending. Moreover, it provides such an umbrella system wherein such at least one first substantially rigid shaft portion and such at least one second substantially rigid shaft portion each comprise a substantially cylindrical rod. Additionally, it provides such an umbrella system wherein: such at least one first shaft coupler comprises at least one first threaded coupler structured and arranged to threadably couple such at least one first shaft coupler to such at least one first substantially rigid shaft portion; and such at least one second shaft coupler comprises at least one second threaded coupler structured and arranged to threadably couple such at least one second shaft coupler to such at least one second substantially rigid shaft portion.

Additionally, it provides such an umbrella system wherein: such at least one omni-directional flexor is located above about the upper third of such at least one shaft support. Also, it provides such an umbrella system wherein: such at least one first substantially rigid shaft portion and such at least one second substantially rigid shaft portion each comprise at least one hollow cylindrical tube having at least one substantially hollow interior portion; such at least one second substantially rigid shaft portion comprises at least one remote operator structured and arranged to remotely operate opening and closing

of such at least one umbrella shade; wherein such at least one remote operator comprises at least one cord structured and arranged to operably connect such at least one remote operator with said at least one umbrella shade; wherein such at least one cord passes through such substantially hollow interior portions of such at least one first substantially rigid shaft portion and such at least one second substantially rigid shaft portion; wherein such at least one omni-directional flexor comprises at least one continuous internal passage structured and arranged to allow unencumbered passage of such at least one cord between such substantially hollow interior portions of such at least one first substantially rigid shaft portion and such at least one second substantially rigid shaft portion. In addition, it provides such an umbrella system wherein such at least one first shaft coupler and such at least one second shaft coupler each comprise at least one projecting engager structured and arranged to engage at least one interior bore of such at least one coiled spring.

In accordance with another preferred embodiment hereof, this invention provides an umbrella system related to reducing wind damage in outdoor umbrellas subjected to at least one wind load during use, such system comprising: at least one umbrella structured and arranged to provide umbrella-type shade protection; wherein such at least one umbrella comprises at least one umbrella shade structured and arranged to provide such umbrella-type shade protection, and coupled with such at least

one umbrella shade, at least one shaft support structured and arranged to support such at least one umbrella shade in at least one operable position; wherein such at least one shaft support comprises at least one first shaft portion comprising at least one first longitudinal axis, at least one second shaft portion comprising at least one second longitudinal axis, and positioned between such at least one first shaft and such at least one second shaft, at least one coil spring; wherein such at least one coil spring is structured and arranged to bend in response to the application of at least one predetermined amount of force to such at least one shaft support, and maintain such first longitudinal axis and such at least one second longitudinal axis in at least one substantially coaxial orientation when such force is less than such predetermined amount; wherein such bending assists in reducing structural failure within such at least one shaft support when at least one force greater than such at least one predetermined amount of force is applied to such at least one shaft support.

Also, it provides such an umbrella system wherein such bending occurs substantially within such at least one coil spring. In addition, it provides such an umbrella system further comprising: at least one outer cover structured and arranged to cover such at least one coiled spring; wherein such at least one outer cover comprises at least one substantially resilient composition structured and arranged to resiliently deform in coordination with such bending. And, it provides such

an umbrella system wherein such at least one first shaft portion and such at least one second shaft portion each comprises a substantially cylindrical rod. Further, it provides such an umbrella system wherein such at least one first shaft portion, such at least one second shaft portion, and such at least one outer cover each comprise a substantially similar outer diameter. Even further, it provides such an umbrella system wherein such at least one coiled spring is capable of storing at least one spring return force of sufficient magnitude to return such at least one first shaft portion and such at least one second shaft portion to such at least one substantially coaxial orientation when such force applied to such at least one first shaft portion is substantially absent.

In accordance with another preferred embodiment hereof, this invention provides an umbrella system related to reducing wind damage in outdoor umbrellas subjected to at least one wind load during use, such system comprising: umbrella means for providing umbrella-type shade protection; wherein such umbrella means comprises umbrella shade means for providing such umbrella-type shade protection, and coupled with such umbrella shade means, shaft support means for supporting such umbrella shade means in at least one operable position; wherein such shaft support means comprises omni-directional flexor means for providing omni-directional flexing of such shaft support means when such umbrella shade means is subjected to the at least one wind load; wherein such omni-directional flexing assists in

reducing deflection-related failure within such shaft support means when such shaft support means is subjected to force loading.

Even further, it provides such an umbrella system wherein such omni-directional flexor means comprises spring-force means for providing at least one spring force. Even further, it provides such an umbrella system wherein such spring-force means is structured and arranged to store at least one restorative force of sufficient magnitude to return such shaft support means to such at least one substantially un-flexed configuration when such force loading is substantially absent.

BRIEF DESCRIPTION OF THE DRAWINGS

FIG. 1A shows a side view, in partial section, illustrating a flexible-shaft umbrella, according to a preferred embodiment of the present invention.

FIG. 1B shows a schematic diagram illustrating, omni-directional flexing by the flexible-shaft umbrella according to the preferred embodiment of the present invention.

FIG. 1C shows a side view, in partial section, illustrating an alternate preferred location of omni-directional flexing within a preferred flexible-shaft umbrella, according to a preferred embodiment of the present invention.

FIG. 1D shows a schematic diagram illustrating, the alternate omni-directional flexing by preferred flexible-shaft umbrella of FIG. 1C.

FIG. 2 shows a partial cut-away view, illustrating preferred internal components of an omni-directional flexor of an umbrella shaft of the wind-resistant umbrella of FIG. 1.

FIG. 3 shows a partial cut-away view, illustrating the omni-directional flexor in a position of deflection, according to the preferred embodiment of FIG. 2.

FIG. 4 shows a schematic diagram, illustrating the protection of an umbrella canopy of the flexible-shaft umbrella by the deflection omni-directional flexor after tipping, according to a preferred embodiment of the present invention.

FIG. 5 shows an exploded view, of an alternate omni-directional flexor, according to a preferred embodiment of the present invention.

FIG. 6 shows an exploded view, of the alternate omni-directional flexor of FIG. 5, in a partially assembled configuration.

FIG. 7 shows a perspective view, in partial section, illustrating the alternate omni-directional flexor of FIG. 5, in an assembled configuration.

FIG. 8 shows an exploded view, of an alternate omni-directional flexor, according to a preferred embodiment of the present invention.

FIG. 9 shows an exploded view, of the alternate omni-directional flexor of FIG. 8, in a partially assembled configuration.

FIG. 10 shows a perspective view, of the alternate omnidirectional flexor of FIG. 8, in an assembled configuration.

FIG. 11 shows a partial cut-away view, illustrating preferred internal components of the alternate omnidirectional flexor of FIG. 8.

DETAILED DESCRIPTION OF THE BEST MODES
AND PREFERRED EMBODIMENTS OF THE INVENTION

FIG. 1A shows a perspective view, illustrating an improved flexible-shaft umbrella **102** according to a preferred embodiment of flexible umbrella system **100**. Preferably, flexible-shaft umbrella **102** comprises at least one patio-type umbrella canopy **104** designed to provide umbrella-type shade protection for one or more users. Umbrella canopy **104** preferably comprises a flexible shade material **107** held on a collapsible frame of supportive ribs radiating from the top of shaft support **106**, as shown. Preferably, umbrella canopy **104** is structurally coupled to shaft support **106**, which preferably supports umbrella canopy **104** in the illustrated operable position.

Preferably, flexible umbrella **102** can be used as a freestanding element, or alternately preferably, engaged within furniture element **111** (such as an outdoor table as schematically illustrated by the dashed-line depiction). When needed, base **114** of flexible umbrella **102** is preferably connected to weighted umbrella stand **108**. In either preferred arrangement, at least one portion of shaft support **106** is restrained against movement, as shown. Preferably, shaft support **106** comprises at least one

region of reduced structural rigidity **105** intended to resiliently "yield" under force loading, as further described below.

Preferably, such region of reduced structural rigidity **105** within shaft support **106** comprises at least one omni-directional flexor **101** structured and arranged to provide omni-directional flexing of shaft support **106** when umbrella canopy **104** is subjected wind loading. More specifically, omni-directional flexor **101** allows shaft support **106** to bend (deflect), in a structurally significant manner, preferably without permanent damage to shaft support **106**. Omni-directional flexor **101** is preferably designed to allow such bending to occur in substantially any direction, as diagrammatically illustrated in FIG. 1B. Thus, such preferred "omni-directional" flexing assists in reducing deflection-related failure within such at least one shaft support when such at least one shaft support is subjected to force loading. In addition, the above-described preferred configuration of shaft support **106** assists in protecting the rigid support elements of umbrella canopy **104** from impact damage, should the system be overturned after a wind gust, as further described in FIG. 4.

Preferably, first shaft portion **116** is coupled to umbrella canopy **104** by shaft-end coupler assembly **103**, as shown. Preferably, shaft-end coupler assembly **103** comprises, in combination, upper hub **130**, lower runner **132**, and a plurality of radially-disposed stretchers **134** supporting a plurality of

radially-disposed ribs **136**, as shown. Preferably, the lower ends of the plurality of radially-disposed stretchers **134** are coupled to lower runner **132**, as shown. Preferably, lower runner **132** is slideably engaged on first shaft portion **116** such that umbrella canopy **104** may be raised and lowered in a customary manner. Preferably, shaft-end coupler assembly **103** is structured and arranged to structurally couple first shaft portion **116** to umbrella canopy **104** to enable the transmission of both axial and non-axial force loads therebetween. Thus, forces generated at umbrella canopy **104** by wind loading are preferably transmitted to shaft support **106**.

FIG. 1C shows a side view, in partial section, illustrating a highly-preferred alternate location of omni-directional flexor **101** within the upper third of shaft support **106**, according to another preferred embodiment of flexible umbrella system **100**. FIG. 1D shows a schematic diagram illustrating, the similar range of motion afforded by upwardly-positioned omni-directional flexor **101**. In the alternate preferred positioning depicted in FIG. 1C and FIG. 1D, omni-directional flexor **101** has been located in a position higher within with within shaft support **106**, as shown. More specifically, omni-directional flexor **101** is preferably located above the upper third of shaft support **106**, closely adjacent to lower runner **132** (when umbrella canopy **104** is in the open position depicted in FIG. 1C). Omni-directional flexor **101** is preferably configured to not impede

translational movement of lower runner **132** up along shaft support **106** during opening and closing of umbrella canopy **104**.

FIG. 2 shows a partial cut-away view illustrating the internal components of omni-directional flexor **101** of shaft support **106**, according to a preferred embodiment of the present invention. Preferably, shaft support **106** is divided into two portions identified herein as first shaft portion **116**, and second shaft portion **118**, as shown. Preferably, omni-directional flexor **101** is preferably positioned between first shaft portion **116**, and second shaft portion **118**, as shown. Preferably, first shaft portion **116** comprises first longitudinal axis **116'**, as shown. Second shaft portion **118** preferably comprises second longitudinal axis **118'**, as shown. Preferably, first shaft portion **116** and second shaft portion **118** each comprise a substantially cylindrical rod of substantially uniform diameter.

Preferably, both first shaft portion **116** and second shaft portion **118** are constructed from at least one substantially rigid material. Materials preferred for use in constructing first shaft portion **116** and second shaft portion **118** include hollow metal tubing (see FIG. 8), alternately preferably wood (see FIG. 5), alternately preferably plastic (preferably including composite fiber-reinforced polymers). In a preferred embodiment of flexible-shaft umbrella **102**, shaft support **106** comprises a preferred diameter of about 1-1/2 inches with an overall length in the general range of about one-hundred inches.

In FIG, 2, omni-directional flexor **101** is depicted in the normally un-unloaded position (a condition wherein minimal non-axial load forces are being transferred from umbrella canopy **104** to shaft support **106**). Preferably, omni-directional flexor **101** comprises at least one resilient member **140** structured and arranged to provide resilient bending in response to the non-axial force loading originating at umbrella canopy **104**. Most preferably, resilient member **140** comprises at least one coiled spring **142**, as shown.

Preferably, the upper end of coiled spring **142** is coupled to first shaft portion **116** by first shaft coupler **144**, as shown. Preferably, first shaft coupler **144** comprises a detachable coupler, most preferably a threaded coupler identified herein as first threaded coupler **150**. Preferably, the lower end of coiled spring **142** is coupled to second shaft portion **118** using a similar coupler arrangement, identified herein as second shaft coupler **146**. Preferably, second shaft coupler **146** also comprises a detachable coupler, most preferably a threaded coupler identified herein as second threaded coupler **151**.

Preferably, both first threaded coupler **150** and second threaded coupler **151** comprise male threaded extensions **124** joined to respective female threaded sleeves **120**, as shown. Preferably, a single female threaded sleeve **120** is integrated within the lower end of first shaft portion **116** substantially coaxial with first longitudinal axis **116'**, as shown. Preferably, a single female threaded sleeve **120** is integrated

within the upper end of second shaft portion **118** preferably substantially coaxial with second longitudinal axis **118'**, as shown. Female threaded sleeves **120** further function as solid and durable mounting points within softer shaft materials (such as wood). Female threaded sleeve **120** is preferably constructed from a substantially rigid material such as plastic, more preferably metal.

Preferably, male threaded extension **124** is rigidly mounted to coiled spring **142**. Preferably, each male threaded extension **124** is rigidly mounted to a respective end of coiled spring **142** using thermal welding, most preferably by spot-welding **115**. Upon reading the teachings of this specification, those of ordinary skill in the art will now understand that, under appropriate circumstances, considering such issues as cost, intended use, etc., other coupler arrangements, such as friction sockets, bayonet-type couplers, snap-lock couplers, bonding etc., may suffice.

When in a resting position (i.e., an unloaded position), coiled spring **142** preferably functions to maintain first longitudinal axis **116'** and second longitudinal axis **118'** in the depicted coaxial orientation of FIG. 2. Coiled spring **142** preferably functions as a "biaser" to positionally bias first longitudinal axis **116'** and second longitudinal axis **118'** toward the depicted coaxial orientation preferred during use.

Preferably, coiled spring **142** is of an extension type, preferably constructed of wires or rods formed to a generally

circular section. Coiled spring **142** is preferably adapted to absorb and store energy by offering resistance to bending forces. Preferably, the strength of coiled spring **142** is selected to allow for movement of first longitudinal axis **116'** and second longitudinal axis **118'** away from a substantially coaxial orientation when a predetermined level of force is applied to first shaft portion **116**, more specifically, when a predetermined level of unequal loading occurs between first shaft portion **116**, and second shaft portion **118**, as shown in FIG. 3. Preferably, such predetermined level of force is less than the maximum structural capacity of either first shaft portion **116** or second shaft portion **118**.

FIG. 3 shows a partial cut-away view, illustrating omnidirectional flexor **101** in a position of deflection, according to the preferred embodiment of FIG. 2. Preferably, the extension-type spring of coiled spring **142** is wound with a pre-selected initial tension. This internal force is preferably designed to hold the coils tightly together until overcome by external loading above a specific force level. This preferred built-in load, known in the art as initial tension, can be varied within a selectable range. Preferably, a designer of ordinary skill in the art may select an extension spring, comprising appropriate strength and performance, using customary compression rate and stress formulas. Preferably, on removal of the wind loading, the spring restitution force stored in coiled spring **142** returns first longitudinal axis **116'** and second longitudinal axis **118'**

to the depicted coaxial orientation of FIG. 2 (at least embodying herein wherein such at least one coiled spring is capable of storing at least one spring return force of sufficient magnitude to return such at least one first shaft portion and such at least one second shaft portion to such at least one substantially coaxial orientation when such force applied to such at least one first shaft portion is substantially absent). Thus, coiled spring **142** of flexible umbrella **102** preferably enables shaft **106** to move or sway in any direction when flexible umbrella **102** is to be subjected to stressful and or windy conditions.

To protect coiled spring **142** from the elements, and to prevent inadvertent pinching of the hand of a user during deflection, coiled spring **142** is preferably covered by outer sleeve **122**, as shown. Preferably, outer sleeve **122** comprises at least one substantially resilient composition adapted to resiliently deform in coordination with resilient bending of coiled spring **142**. Preferably, outer sleeve **122** comprises a hollow cylindrical tube constructed from a synthetic material, preferably a firm rubber, most preferably a neoprene rubber. Outer sleeve **122** may comprise an integral color to harmonize with the overall aesthetics of flexible umbrella **102**. For, example, outer sleeve **122** may preferably comprise a color substantially matching that of flexible shade material **107**. Preferably, outer sleeve **122** is slid over coiled spring **142** prior to assembly of omni-directional flexor **101** to first shaft

portion **116** and second shaft portion **118**. Preferably, the ends of first shaft portion **116** and second shaft portion **118**, proximal to omni-directional flexor **101**, comprise recessed circumferential notches **152**, as shown. Preferably, such circumferential notches **152** comprise an outer diameter substantially matching the inner diameter of outer sleeve **122**, as shown. Preferably, circumferential notches **152** allow the outer surface of outer sleeve **122** to be positioned substantially flush with the exterior diameters of first shaft portion **116** and second shaft portion **118**, as shown. Therefore, when assembled in this fashion, the flexible shaft support has the appearance of a smooth continuous piece.

Upon reading this specification, those with ordinary skill in the art will now appreciate that, under appropriate circumstances, considering such issues as user preferences, cost, structural requirements, available materials, available markets, umbrella size, etc., other types of umbrellas, such as, for example, beach umbrellas, patio umbrellas, market umbrellas etc., may suffice.

FIG. 4 shows a schematic diagram illustrating the protection of the rigid and relatively lightweight support elements of umbrella canopy **104** by the deflection omni-directional flexor **101** on overturning. In very heavy wind conditions, the system may occasionally experience tipping when the wind force exceeds the resistance to overturning afforded by

the weighted umbrella stand **108**, outdoor furniture element **111**, etc.

The preferred configuration of shaft support **106** assists in protecting both the radially disposed stretchers **134** and radially disposed ribs **136** of umbrella canopy **104** from impact damage by functioning essentially as a shock absorber to protectively absorb a portion the impact forces generated by collision of the support elements with hard surface **160**, as shown. A measure of protection is developed regardless of the location omni-directional flexor **101** within shaft support **106** (i.e., a position near the midpoint of shaft support **106**, as illustrated in FIG. 1A, or near the upper portion of shaft support **106**, is illustrated in FIG. 1C).

FIG. 5 shows an exploded view of alternate omni-directional flexor **170**, according to another preferred embodiment of the present invention. As illustrated in the exploded view of FIG. 5, alternate omni-directional flexor **170** preferably retains a number of the components used in the construction of omni-directional flexor **101**, as shown. For example, alternate omni-directional flexor **170** preferably comprises a resilient member **140** to provide resilient bending in response to the non-axial force loading originating at umbrella canopy **104**. As in the prior embodiment, resilient member **140** most preferably, comprises coiled spring **142**, as shown. In addition, a resilient outer sleeve **122** preferably covers coiled spring **142** during use, as illustrated in FIG. 7. Alternate omni-directional flexor **170**

also comprises several distinct structural features differentiating it from omni-directional flexor **101**, as noted below.

Preferably, the upper end of coiled spring **142** is coupled to first shaft portion **116** by an alternate first shaft coupler **174**, as shown. Alternate first shaft coupler **174** preferably comprises socket receiver **175** adapted to receive first shaft portion **116**, and a spring-engaging projection **177**, as shown. Preferably, socket receiver **175** and spring-engaging projection **177** are generally circular and substantially coaxial, as shown. Projection **177** is preferably adapted to engage the upper interior bore **179** of coiled spring **142**, as shown. Spring-engaging projection **177** has been found to beneficially assist in maintaining a stable connection between alternate first shaft coupler **174** and coiled spring **142**. Preferably, alternate first shaft coupler **174** is rigidly mounted to the end of coiled spring **142**, preferably using thermal welding, most preferably by spot-welding **115**, as best shown in FIG. 6.

The lower end of coiled spring **142** is preferably coupled to second shaft portion **118** using alternate second shaft coupler **176**, as shown. Preferably, alternate second shaft coupler **176** comprises socket receiver **178** and a spring-engaging projection **180**, preferably adapted to engage the lower interior bore of coiled spring **142**, as shown. Preferably, socket receiver **178** is adapted to receive second shaft portion **118**. Both socket

receiver **178** and spring-engaging projection **180** are generally circular and substantially coaxial, as shown.

Preferably, the ends of both first shaft portion **116** and second shaft portion **118** comprise reduced diameter region **182**, as shown. Preferably, the radius of each reduced diameter region **182** is matched to the inner radius of each respective alternate first shaft coupler, as shown. The reduction in radius dimension is preferably equal to about the wall thickness of its respective socket receiver (socket receiver **175** and/or socket receiver **178**). This preference assures that the outer surface of each shaft portion is justified with the outer surface of its respective socket receiver (see FIG. 7).

In a similar arrangement, the proximal end (relative to coiled spring **142**) of each socket receiver (socket receiver **175** and socket receiver **178**) preferably comprises a circumferential recess **184** adapted to receive the terminating end of rubber sleeve **122**. The above preference also assures that the outer diameter of rubber sleeve **122** is justified with the outer diameters of socket receiver **175** and socket receiver **178** (see FIG. 7). Preferably, both socket receiver **175** and socket receiver **178** are retained on their respective shaft portions by mechanical fasteners, preferably a set of screws **186**, as shown.

Alternate first shaft coupler **174** and alternate second shaft coupler **176** are preferably constructed from a substantially rigid material, preferably plastic, more preferably a metal. Preferred embodiments of socket receiver

175 and socket receiver **178** preferably comprise a continuous open internal bore **188** adapted to facilitate passage of control cords and/or cables of the umbrella, as further described in FIG. 8.

FIG. 6 shows an exploded view, of alternate omni-directional flexor **170** of FIG. 5, in a partially assembled configuration. FIG. 7 shows a perspective view, in partial section, illustrating alternate omni-directional flexor **170** of FIG. 5, in an assembled configuration.

FIG. 8 shows an exploded view of alternate omni-directional flexor **190**, preferably comprising a means for accommodating the operation of remote operator **192**, according to another preferred embodiment of the present invention. Patio umbrellas and market umbrellas often comprise a hand-operated remote operator **192** to assist in the convenient lifting and lowering of lower runner **132** (see FIG. 1C), which results in the opening and closing of umbrella canopy **104**. An example of a remote operator **192** is a mechanism comprising hand-operated crank **193** operably engaged with lower runner **132** by means of an internal cord **194**. In preferred embodiment of FIG. 8, remote operator **192** is shown positioned within second shaft portion **118**.

Preferably, both first shaft portion **116** and second shaft portion **118** comprise hollow tubular sections allowing internal cord **194** to pass through their respective interiors, as shown. Preferably, alternate omni-directional flexor **190** comprises a corresponding continuous hollow interior channel **196** to allow

internal cord **194** to pass unencumbered between the hollow interiors of first shaft portion **116** and second shaft portion **118**, as shown (at least embodying herein wherein said at least one first substantially rigid shaft portion and said at least one second substantially rigid shaft portion each comprise at least one hollow cylindrical tube; and at least embodying herein at least one continuous internal passage structured and arranged to allow unencumbered passage of said at least one cord between such substantially hollow interior portions of said at least one first substantially rigid shaft portion and said at least one second substantially rigid shaft portion).

FIG. 9 shows an exploded view of alternate omni-directional flexor **190** of FIG. 8 in a partially assembled configuration.

FIG. 10 shows a perspective view, of alternate omni-directional flexor **190** of FIG. 8, in an assembled configuration. FIG. 11 shows a partial cut-away view illustrating preferred internal components of alternate omni-directional flexor **190** of FIG. 8.

As illustrated in FIG. 8 through FIG. 11, alternate omni-directional flexor **190** preferably comprises a number of structures and features matching both alternate omni-directional flexor **170** and omni-directional flexor **101**, as shown. For example, alternate omni-directional flexor **190** preferably comprises a resilient member **140** to provide resilient bending; and as in the prior embodiments, resilient member **140** most preferably comprises coiled spring **142**, as shown. In addition, a resilient outer sleeve **122** preferably covers coiled spring **142**

during use, as shown. Alternate omni-directional flexor **190** also comprises several distinct design features enabling the operation of remote operator **192**, as noted below.

Preferably, the upper end of coiled spring **142** is coupled to first shaft portion **116** by an alternate first shaft coupler **200**, as shown. Alternate first shaft coupler **200** preferably comprises an upper shaft engager **202** adapted to engage the hollow interior of first shaft portion **116**, and a lower spring-engaging projection **204**, as shown. Preferably, shaft engager **202** and spring-engaging projection **204** are generally circular and substantially coaxial, as shown. Spring-engaging projection **204** is preferably adapted to engage the interior bore **179** of coiled spring **142**, as shown. As noted in the prior embodiments, the spring-engaging projections have been found to assist in maintaining a rigid connection between the shaft couplers and coiled spring **142**. Preferably, alternate first shaft coupler **200** is rigidly mounted to the end of coiled spring **142**, preferably using thermal welding, most preferably by spot-welding.

The lower end of coiled spring **142** is preferably coupled to second shaft portion **118** using alternate second shaft coupler **206**, as shown. Preferably, alternate second shaft coupler **206** comprises substantially the same physical arrangements as those of alternate first shaft coupler **200**.

Preferably, shaft engager **202** comprises a reduced diameter region **208**, as shown. Preferably, the radius of reduced

diameter region **208** is matched to the inner radius of first shaft portion **116**, as shown. The reduction in radius dimension is preferably equal to about the wall thickness of first shaft portion **116**. Preferably, alternate second shaft coupler **206** comprises substantially the same physical arrangements as those of alternate first shaft coupler **200**. This preference enables the outer surfaces of each shaft portion to be justified with the outer surfaces of their respective shaft couplers (see FIG. 10).

In a similar arrangement, alternate first shaft coupler **200** is preferably adapted to receive a terminating end of rubber sleeve **122** such that the outer diameter of rubber sleeve **122** is justified with the outer diameter first shaft portion **116** (see FIG. 10). It is again noted that alternate second shaft coupler **206** preferably comprises substantially the same physical arrangements as those of alternate first shaft coupler **200**.

When assembled, alternate omni-directional flexor **190** preferably allows internal cord **194** to freely move within hollow interior channel **196**, as diagrammatically indicated by the reference arrows, as shown. Preferably, both alternate first shaft coupler **200** and alternate second shaft coupler **206** are preferably constructed from a substantially rigid material, preferably plastic, more preferably a metal comprising material. Upon reading this specification, those with ordinary skill in the art will now appreciate that, under appropriate circumstances, considering such issues as design preference,

user preferences, marketing preferences, cost, structural requirements, available materials, technological advances, etc., other material arrangements such as, for example, carbon fiber, metallic composites, inventive plasticizers, etc., may suffice.

Although applicant has described applicant's preferred embodiments of this invention, it will be understood that the broadest scope of this invention includes modifications such as diverse shapes, sizes, and materials. Such scope is limited only by the below claims as read in connection with the above specification. Further, many other advantages of applicant's invention will be apparent to those skilled in the art from the above descriptions and the below claims.

What is claimed is:

- 1) An umbrella system, related to reducing wind damage in outdoor umbrellas subjected to at least one wind load during use, said system comprising:
 - a) at least one umbrella structured and arranged to provide umbrella-type shade protection;
 - b) wherein said at least one umbrella comprises
 - i) at least one umbrella shade structured and arranged to provide such umbrella-type shade protection, and
 - ii) coupled with said at least one umbrella shade, at least one shaft support structured and arranged to support said at least one umbrella shade in at least one operable position;
 - c) wherein said at least one shaft support comprises at least one omni-directional flexor structured and arranged to provide omni-directional flexing of said at least one shaft support when said at least one umbrella shade is subjected to the at least one wind load; and
 - d) wherein such omni-directional flexing assists in reducing deflection-related failure within said at least one shaft support when said at least one shaft support is subjected to force loading.
- 2) The umbrella system according to Claim 1 wherein said at least one shaft support further comprises:

- a) at least one first substantially rigid shaft portion comprising at least one first longitudinal axis;
- b) at least one second substantially rigid shaft portion comprising at least one second longitudinal axis; and
- c) at least one shaft-end coupler structured and arranged to structurally couple said at least one first substantially rigid shaft portion to said at least one umbrella shade portion;
- d) wherein said at least one shaft-end coupler is structured and arranged to transmit at least one non-axial force between said at least one first substantially rigid shaft portion and said at least one umbrella shade portion; and
- e) wherein said at least one omni-directional flexor comprises
 - i) at least one resilient member structured and arranged to provide resilient bending in response to non-axial force loading,
 - ii) at least one first shaft coupler structured and arranged to couple said at least one resilient member to said at least one first substantially rigid shaft portion, and
 - iii) at least one second shaft coupler structured and arranged to couple said at least one resilient member to said at least one second substantially rigid shaft portion.

- 3) The umbrella system according to Claim 2 wherein said at least one omni-directional flexor further comprises at least one biaser structured and arranged to bias said at least one first longitudinal axis and said at least one second longitudinal axis to at least one substantially coaxial orientation.
- 4) The umbrella system according to Claim 3 wherein said at least one biaser provides for movement of said at least one first longitudinal axis and said at least one second longitudinal axis away from such at least one substantially coaxial orientation when a predetermined level of force is applied to said at least one first substantially rigid shaft portion.
- 5) The umbrella system according to Claim 4 wherein said at least one resilient member comprises at least one coiled spring.
- 6) The umbrella system according to Claim 5 wherein said at least one coiled spring is capable of storing at least one spring return force of sufficient magnitude to return said at least one first shaft portion and said at least one second shaft portion to such at least one substantially coaxial orientation when such force applied to said at least one first shaft portion is substantially absent.
- 7) The umbrella system according to Claim 6 wherein such resilient bending occurs substantially within said at least one coiled spring.

- 8) The umbrella system according to Claim 7 further comprising:
- a) at least one outer cover structured and arranged to cover said at least one coiled spring;
 - b) wherein said at least one outer cover comprises at least one substantially resilient composition structured and arranged to resiliently deform in coordination with such resilient bending.
- 9) The umbrella system according to Claim 5 wherein said at least one first substantially rigid shaft portion and said at least one second substantially rigid shaft portion each comprise a substantially cylindrical rod.
- 10) The umbrella system according to Claim 5 wherein said at least one omni-directional flexor is located above about the upper third of said at least one shaft support.
- 11) The umbrella system according to Claim 5 wherein:
- a) said at least one first substantially rigid shaft portion and said at least one second substantially rigid shaft portion each comprise at least one hollow cylindrical tube having a substantially hollow interior portion; and
 - b) said at least one second substantially rigid shaft portion comprises at least one remote operator structured and arranged to remotely operate opening and closing of said at least one umbrella shade;

- c) wherein said at least one remote operator comprises at least one cord structured and arranged to operably connect said at least one remote operator with said at least one umbrella shade;
 - d) wherein said at least one cord passes through such substantially hollow interior portions of said at least one first substantially rigid shaft portion and said at least one second substantially rigid shaft portion; and
 - e) wherein said at least one omni-directional flexor comprises at least one continuous internal passage structured and arranged to allow unencumbered passage of said at least one cord between such substantially hollow interior portions of said at least one first substantially rigid shaft portion and said at least one second substantially rigid shaft portion.
- 12) The umbrella system according to Claim 5 wherein:
- a) said at least one first shaft coupler comprises at least one first threaded coupler structured and arranged to threadably couple said at least one first shaft coupler to said at least one first substantially rigid shaft portion; and
 - b) said at least one second shaft coupler comprises at least one second threaded coupler structured and arranged to threadably couple said at least one second

shaft coupler to said at least one second substantially rigid shaft portion.

- 13) The umbrella system according to Claim 5 wherein:
- a) said at least one coiled spring comprises at least one interior bore; and
 - b) said at least one first shaft coupler and said at least one second shaft coupler each comprise at least one projecting engager structured and arranged to engage at least one interior bore of said at least one coiled spring.
- 14) An umbrella system, related to reducing wind damage in outdoor umbrellas subjected to at least one wind load during use, said system comprising:
- a) at least one umbrella structured and arranged to provide umbrella-type shade protection;
 - b) wherein such at least one umbrella comprises
 - i) at least one umbrella shade structured and arranged to provide such umbrella-type shade protection, and
 - ii) coupled with said at least one umbrella shade, at least one shaft support structured and arranged to support said at least one umbrella shade in at least one operable position;
 - c) wherein said at least one shaft support comprises
 - i) at least one first shaft portion comprising at least one first longitudinal axis, and

- ii) at least one second shaft portion comprising at least one second longitudinal axis, and
 - d) positioned between said at least one first shaft and said at least one second shaft, at least one coil spring;
 - e) wherein said at least one coil spring is structured and arranged to
 - i) bend in response to the application of at least one predetermined amount of force to said at least one shaft support, and
 - ii) maintain said first longitudinal axis and said at least one second longitudinal axis in at least one substantially coaxial orientation when such force is less than such predetermined amount; and
 - f) wherein such bending assists in reducing structural failure within said at least one shaft support when at least one force greater than such at least one predetermined amount of force is applied to said at least one shaft support.
- 15) The umbrella system according to Claim 14 wherein such bending occurs substantially at said at least one coil spring.

- 16) The umbrella system according to Claim 14 further comprising:
- a) at least one outer cover structured and arranged to cover said at least one coiled spring;
 - b) wherein said at least one outer cover comprises at least one substantially resilient composition structured and arranged to resiliently deform in coordination with such bending.
- 17) The umbrella system according to Claim 16 wherein said at least one first shaft portion and said at least one second shaft portion each comprises a substantially cylindrical rod.
- 18) The umbrella system according to Claim 15 wherein said at least one first shaft portion, said at least one second shaft portion, and said at least one outer cover each comprise a substantially similar outer diameter.
- 19) The umbrella system according to Claim 15 wherein said at least one coiled spring is capable of storing at least one spring return force of sufficient magnitude to return said at least one first shaft portion and said at least one second shaft portion to such at least one substantially coaxial orientation when such force applied to said at least one first shaft portion is substantially absent.
- 20) An umbrella system related to reducing wind damage in outdoor umbrellas subjected to at least one wind load during use, said system comprising:

- a) umbrella means for providing umbrella-type shade protection;
- b) wherein said umbrella means comprises
 - i) umbrella shade means for providing such umbrella-type shade protection, and
 - ii) coupled with said umbrella shade means, shaft support means for supporting said umbrella shade means in at least one operable position;
- c) wherein said shaft support means comprises omni-directional flexor means for providing omni-directional flexing of such shaft support means when said umbrella shade means is subjected to the at least one wind load;
- d) wherein such omni-directional flexing assists in reducing deflection-related failure within said shaft support means when said shaft support means is subjected to force loading.

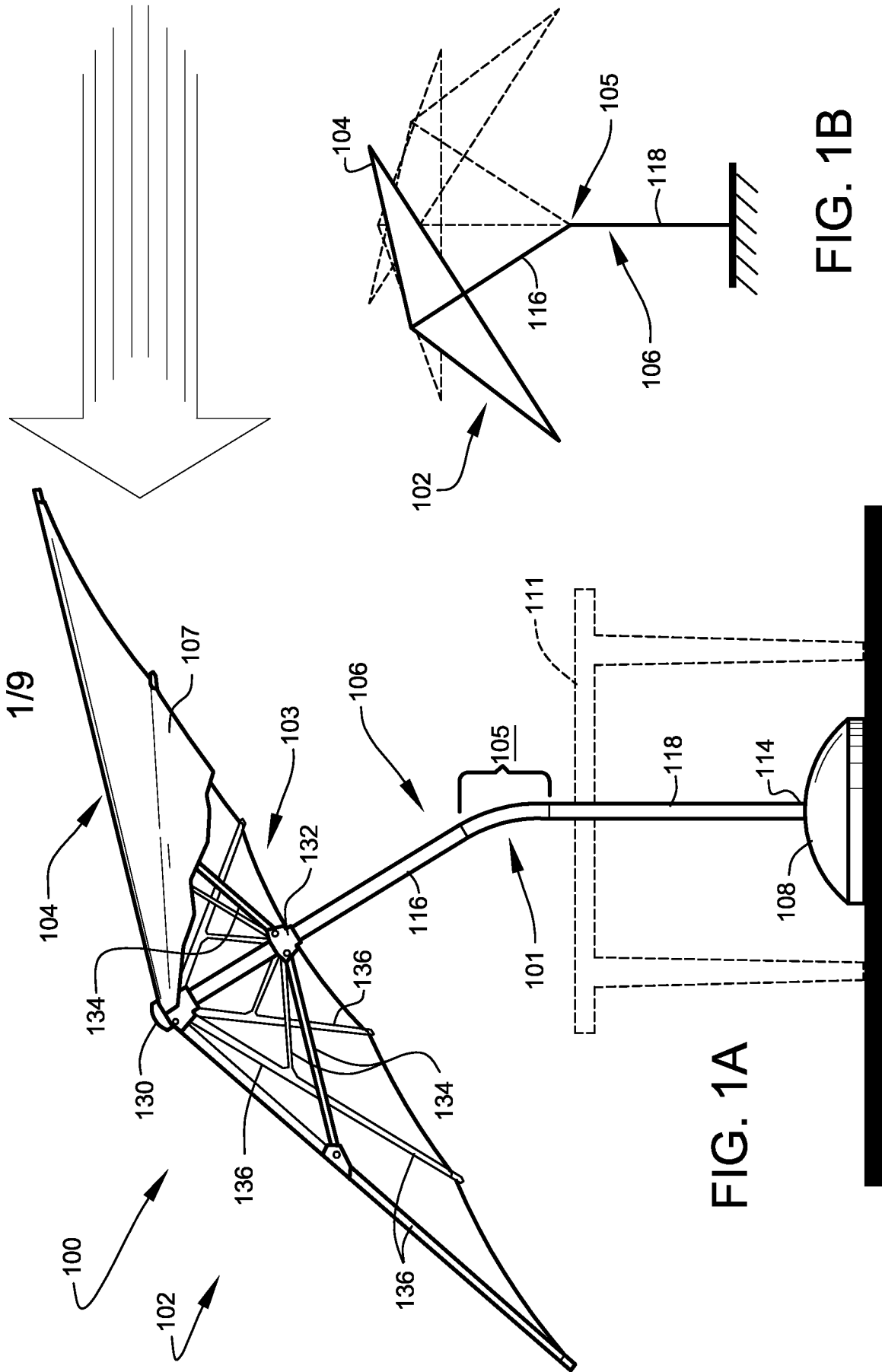


FIG. 1A

FIG. 1B

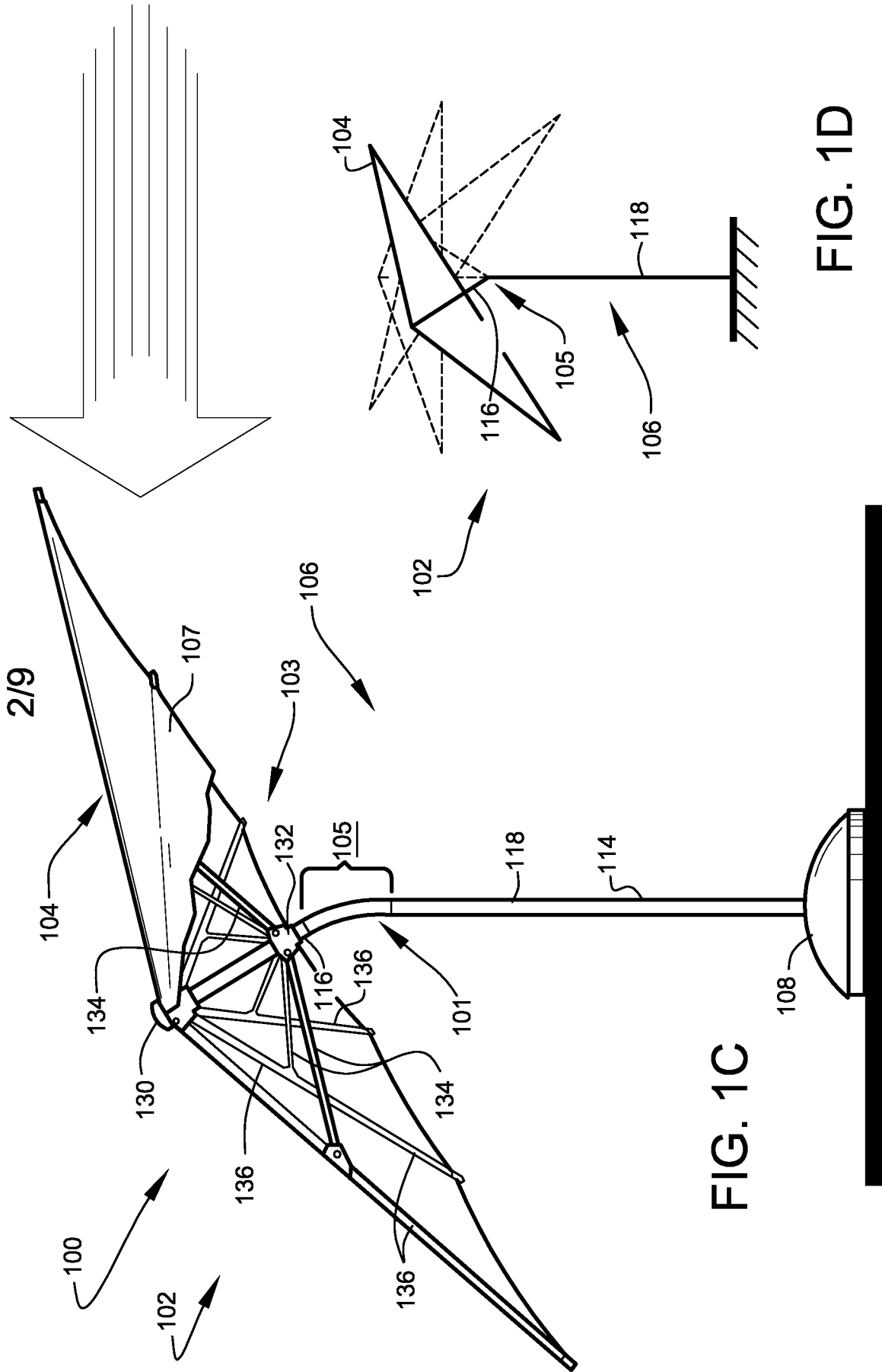


FIG. 1C

FIG. 1D

3/9

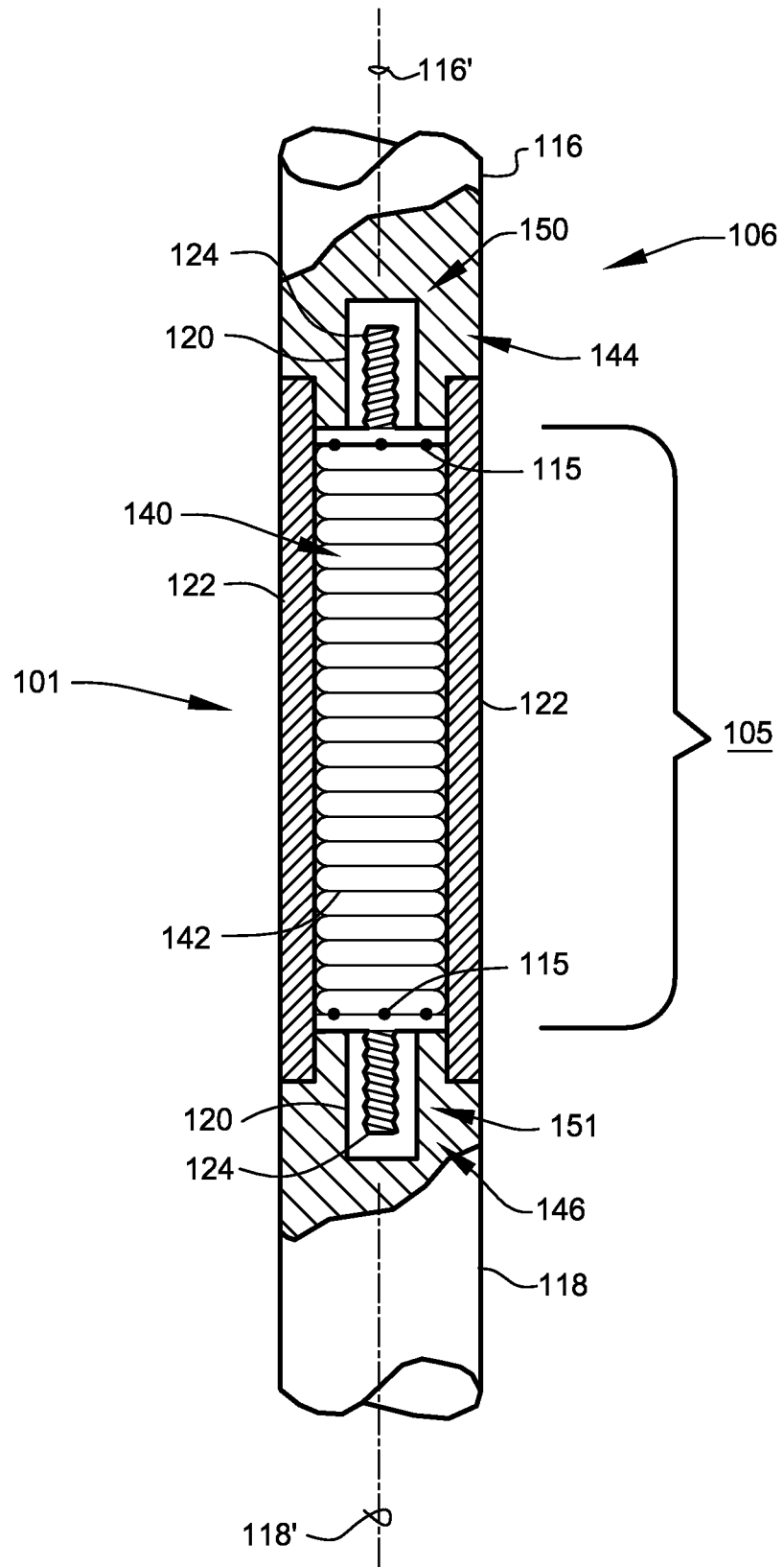


FIG. 2

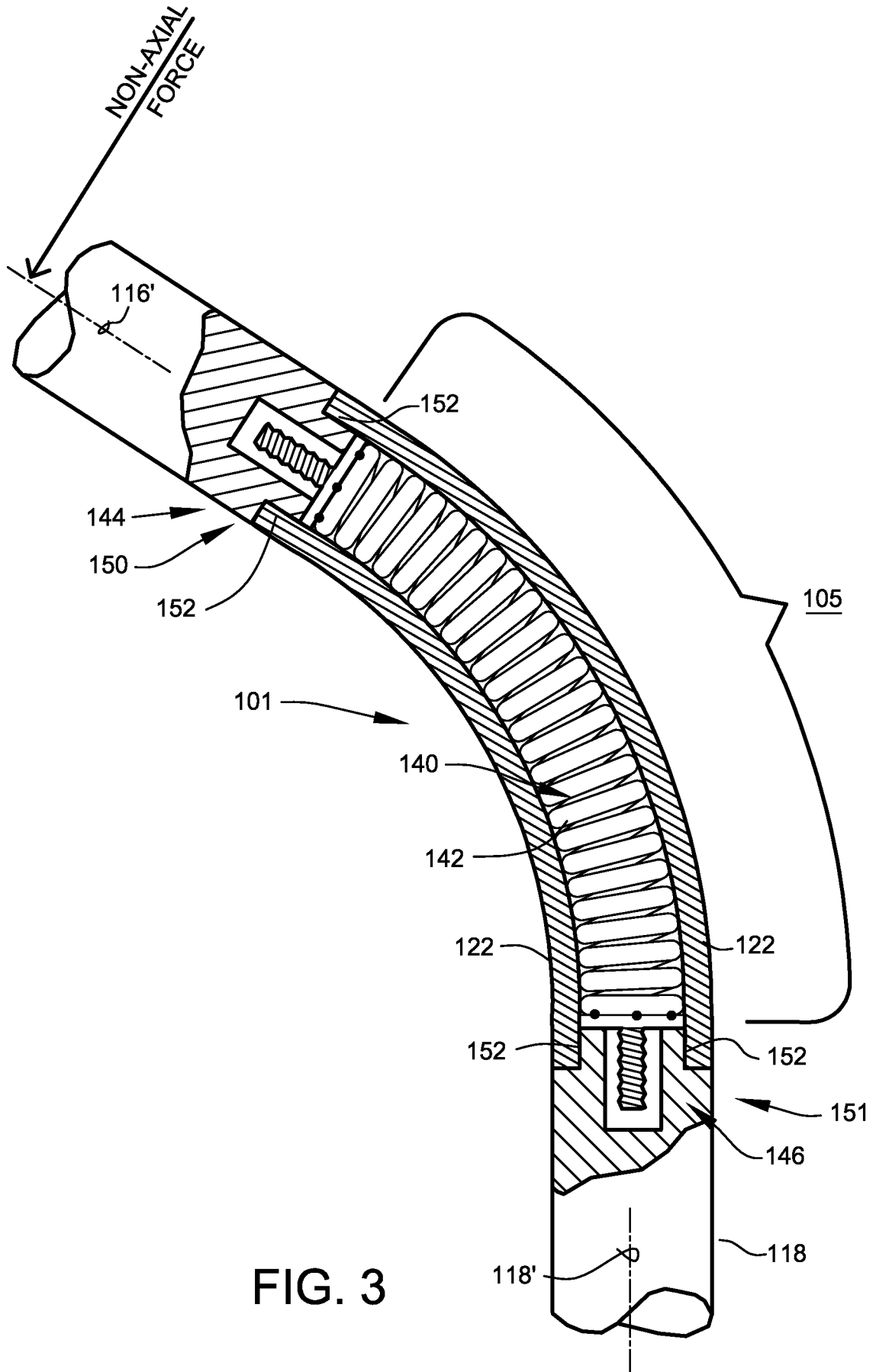


FIG. 3

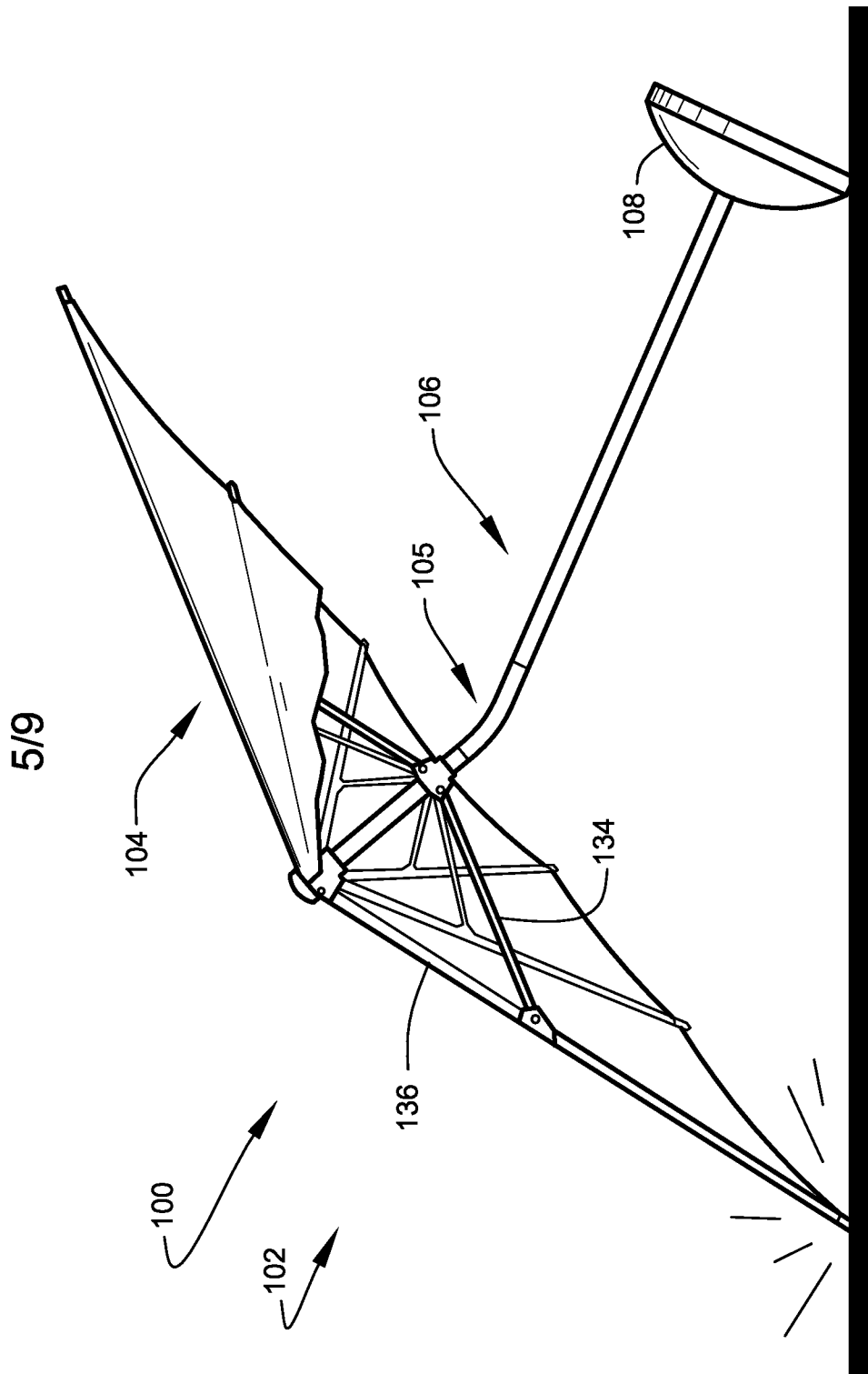


FIG. 4

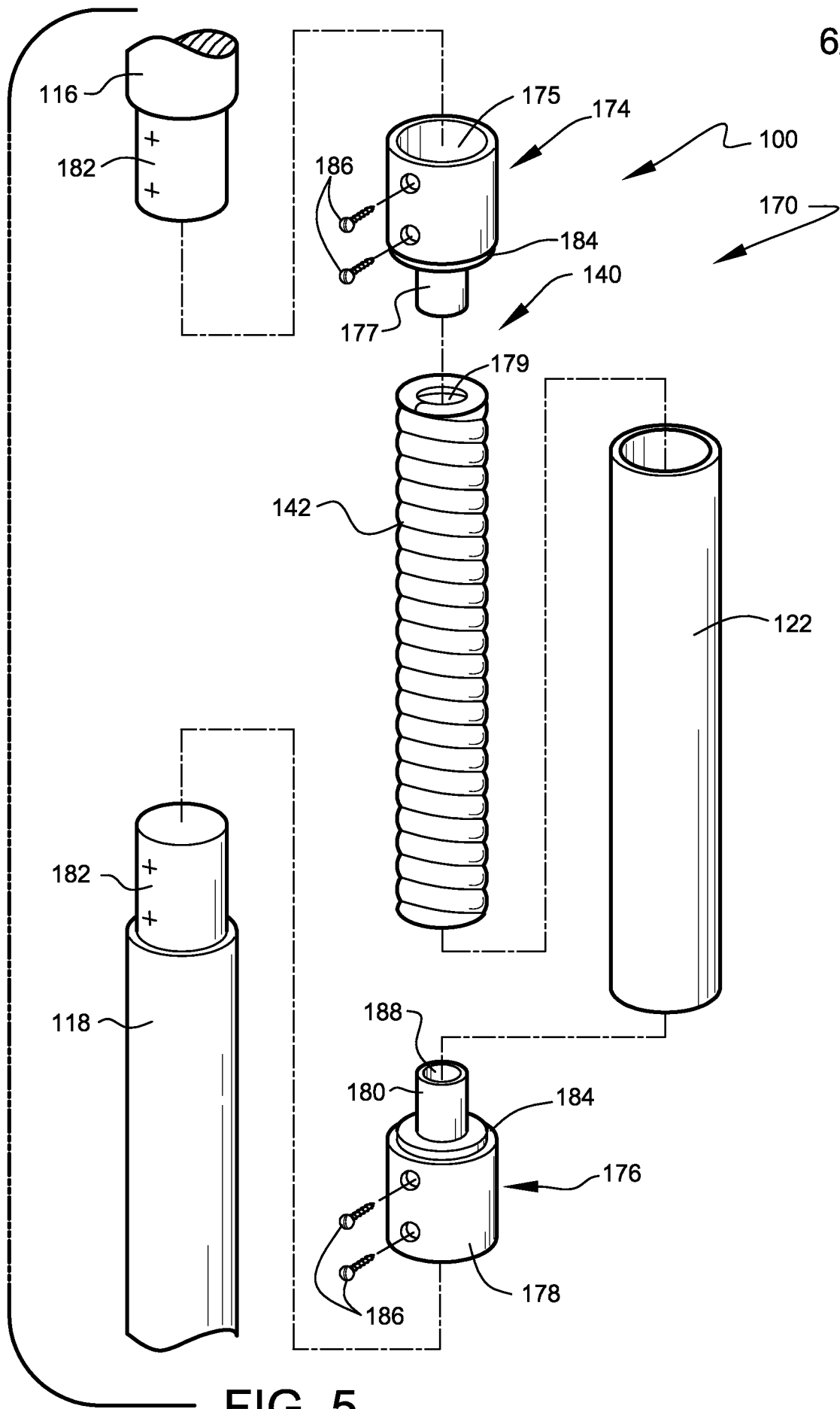
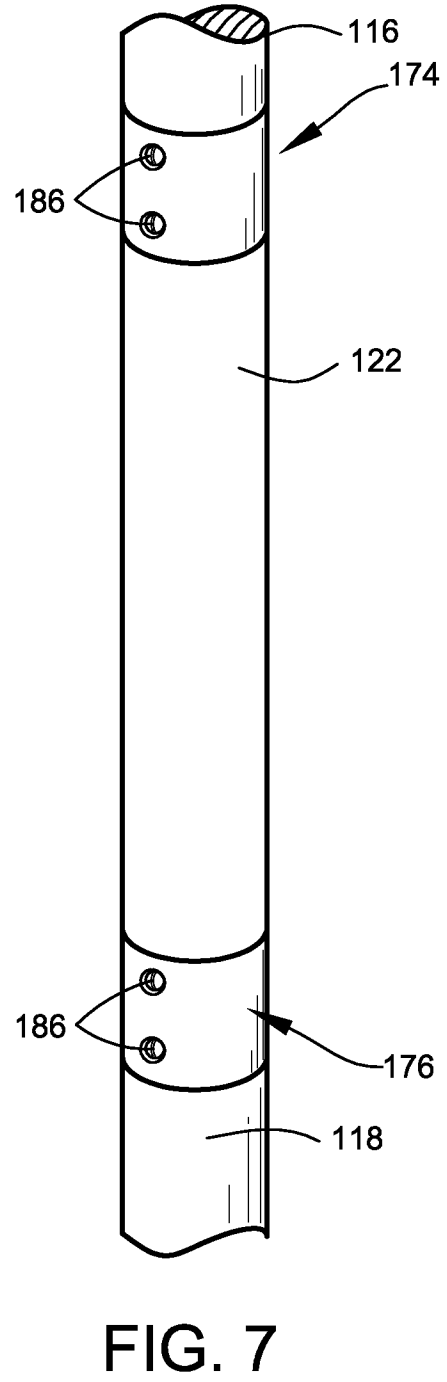
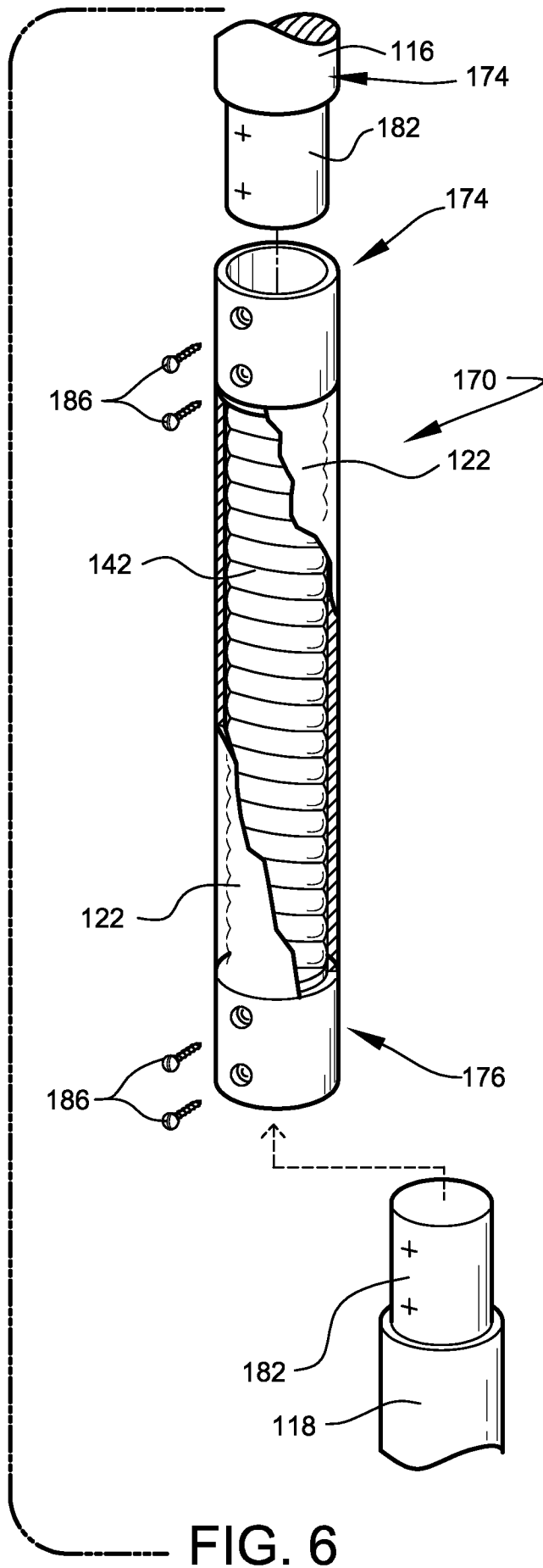
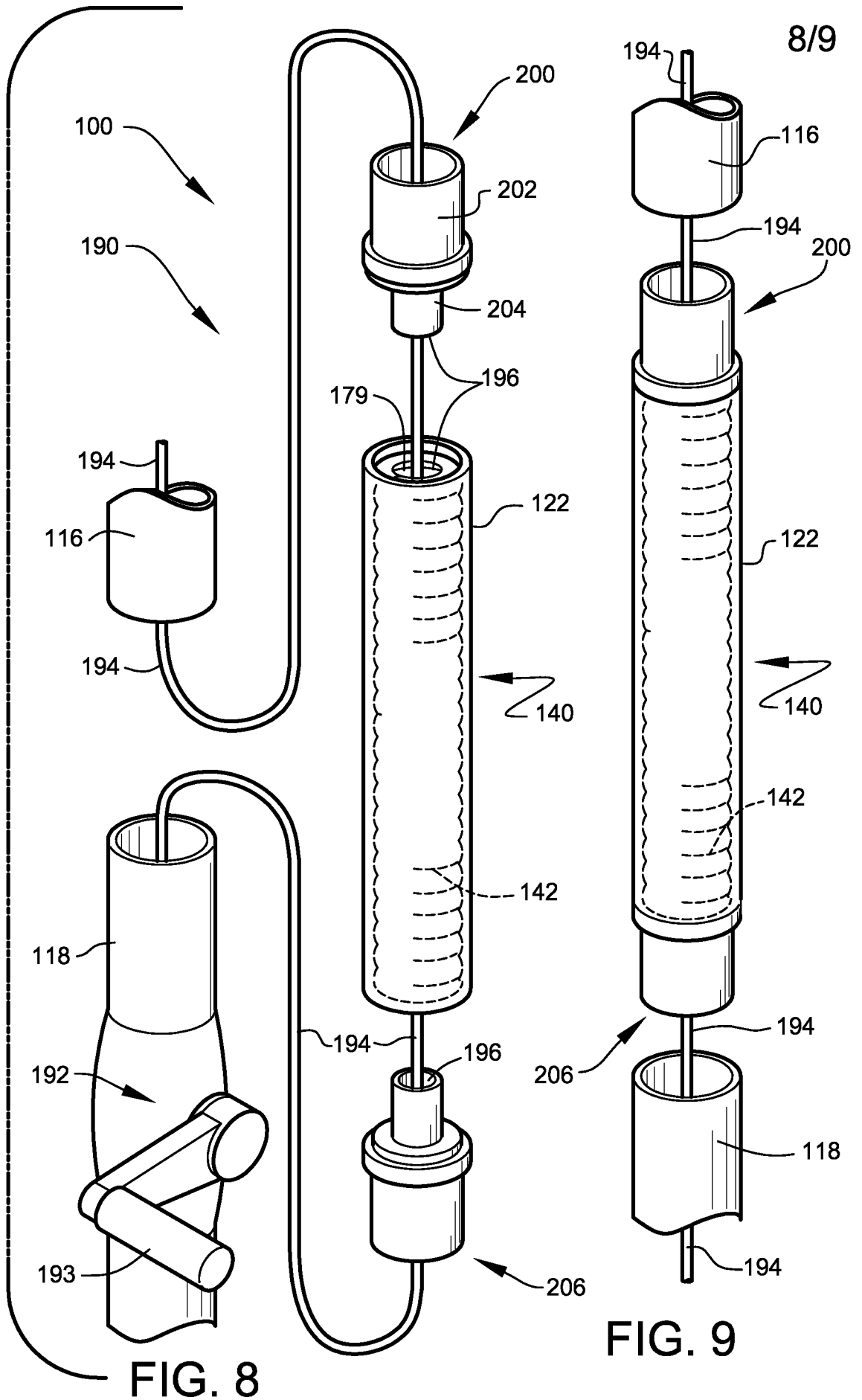


FIG. 5





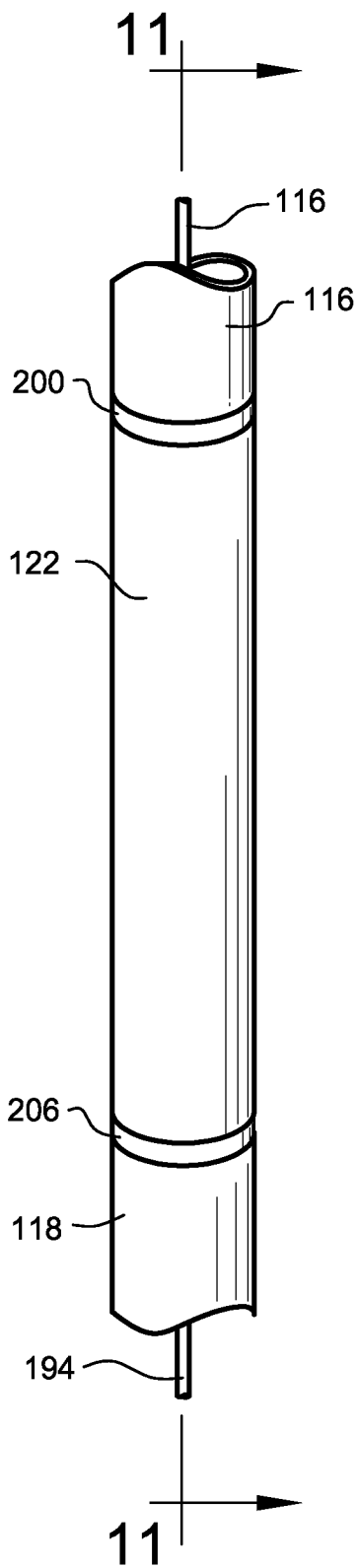


FIG. 10

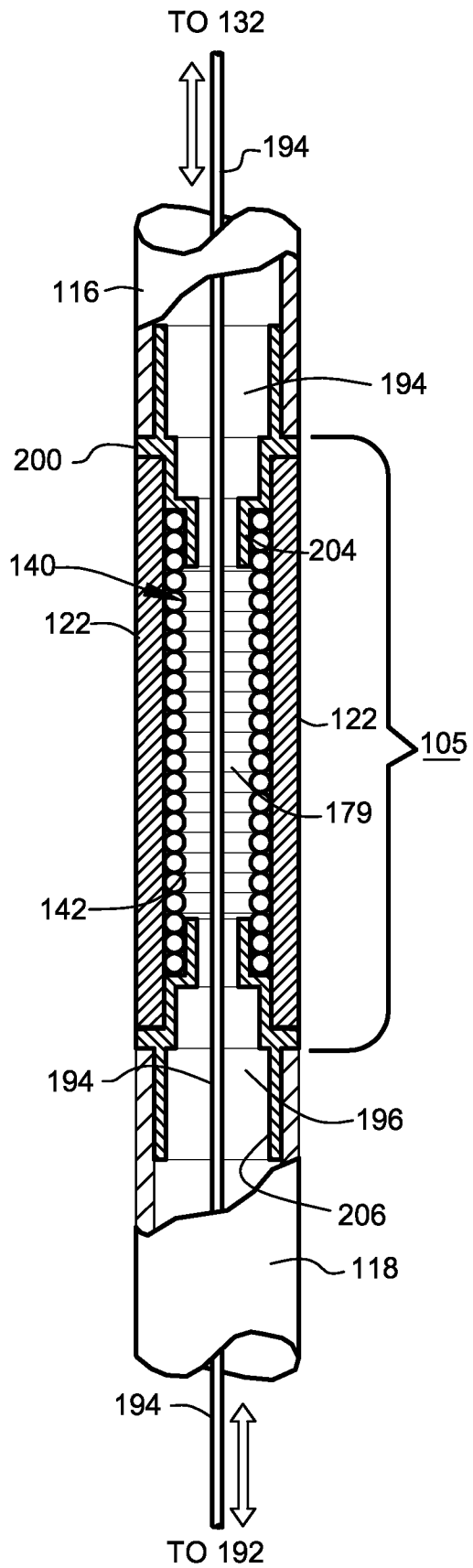


FIG. 11

A. CLASSIFICATION OF SUBJECT MATTER*A45B 25/22(2006.01)i, A45B 25/02(2006.01)i*

According to International Patent Classification (IPC) or to both national classification and IPC

B. FIELDS SEARCHED

Minimum documentation searched (classification system followed by classification symbols)

IPC A45B 25/22

Documentation searched other than minimum documentation to the extent that such documents are included in the fields searched

Electronic data base consulted during the international search (name of data base and, where practicable, search terms used)

eKOMPASS (KIPO Internal) Keyword : umbrella, felxible, wind, fold, spring and similar terms

C. DOCUMENTS CONSIDERED TO BE RELEVANT

Category*	Citation of document, with indication, where appropriate, of the relevant passages	Relevant to claim No.
A	US 07207343 B2 (John Michael Earnshaw and Michael Herold Bly) 24 April 2007 See the whole document	1 - 20
A	EP 0368539 A2 (HOYLAND FOX LIMITED) 16 May 1990 See the whole document	1 - 20
A	US 05871024 A (Robert D. Vanderminde Sr.) 16 February 1999 See the whole document	1 - 20
A	US 2004-0035452 A1 (Joen-Shen Ma) 26 February 2004 See the whole document	1 - 20

 Further documents are listed in the continuation of Box C. See patent family annex.

* Special categories of cited documents:

"A" document defining the general state of the art which is not considered to be of particular relevance

"E" earlier application or patent but published on or after the international filing date

"L" document which may throw doubts on priority claim(s) or which is cited to establish the publication date of citation or other special reason (as specified)

"O" document referring to an oral disclosure, use, exhibition or other means

"P" document published prior to the international filing date but later than the priority date claimed

"T" later document published after the international filing date or priority date and not in conflict with the application but cited to understand the principle or theory underlying the invention

"X" document of particular relevance; the claimed invention cannot be considered novel or cannot be considered to involve an inventive step when the document is taken alone

"Y" document of particular relevance; the claimed invention cannot be considered to involve an inventive step when the document is combined with one or more other such documents, such combination being obvious to a person skilled in the art

"&" document member of the same patent family

Date of the actual completion of the international search

25 AUGUST 2009 (25.08.2009)

Date of mailing of the international search report

25 AUGUST 2009 (25.08.2009)

Name and mailing address of the ISA/KR

Korean Intellectual Property Office
Government Complex-Daejeon, 139 Seonsa-ro, Seo-gu, Daejeon 302-701, Republic of Korea

Facsimile No. 82-42-472-7140

Authorized officer

PARK Hamyong

Telephone No. 82-42-481-8409



INTERNATIONAL SEARCH REPORT

Information on patent family members

International application No.

PCT/US2009/039690

Patent document cited in search report	Publication date	Patent family member(s)	Publication date
US 07207343 B2	24.04.2007	CN 1511000 A	07.07.2004
		CN 1268250 C	09.08.2006
		CN 1511000 C0	07.07.2004
		EP 1392140 A1	03.03.2004
		TW 230042 A	01.04.2005
		US 2004-0187900 A1	30.09.2004
		WO 2002-094053 A1	28.11.2002
		EP 0368539 A2	16.05.1990
CN 1043872 C0	18.07.1990		
CN 1029195 C	05.07.1995		
EP 0368539 B1	05.01.1994		
EP 0368539 A3	24.10.1990		
EP 0368539 B2	05.08.1998		
JP 1995778 C	08.12.1995		
JP 2224611 A	06.09.1990		
JP 7016450 B	01.03.1995		
JP 07-016450 B2	01.03.1995		
US 05086797 A	11.02.1992		
US 05086797 A	11.02.1992		
US 05871024 A	16.02.1999		
		US 05711333 A	27.01.1998
		US 05871024 A	16.02.1999
US 2004-0035452 A1	26.02.2004	None	