

(19) World Intellectual Property Organization
International Bureau



(43) International Publication Date
22 October 2009 (22.10.2009)

(10) International Publication Number
WO 2009/128816 A1

(51) International Patent Classification:
A46B 5/00 (2006.01)

(74) Agent: VOLK, Michael, D.; Stoneman Volk Patent Group, 3770 N. 7th Street, Suite 100, Phoenix, AZ 85014-5022 (US).

(21) International Application Number:
PCT/US2008/060266

(81) Designated States (unless otherwise indicated, for every kind of national protection available): AE, AG, AL, AM, AO, AT, AU, AZ, BA, BB, BG, BH, BR, BW, BY, BZ, CA, CH, CN, CO, CR, CU, CZ, DE, DK, DM, DO, DZ, EC, EE, EG, ES, FI, GB, GD, GE, GH, GM, GT, HN, HR, HU, ID, IL, IN, IS, JP, KE, KG, KM, KN, KP, KR, KZ, LA, LC, LK, LR, LS, LT, LU, LY, MA, MD, ME, MG, MK, MN, MW, MX, MY, MZ, NA, NG, NI, NO, NZ, OM, PG, PH, PL, PT, RO, RS, RU, SC, SD, SE, SG, SK, SL, SM, SV, SY, TJ, TM, TN, TR, TT, TZ, UA, UG, US, UZ, VC, VN, ZA, ZM, ZW.

(22) International Filing Date:
14 April 2008 (14.04.2008)

(25) Filing Language: English

(26) Publication Language: English

(71) Applicants and

(72) Inventors: PURVIS, Jonna, M. [US/US]; 3212 Angus Drive, Prescott, AZ 86305 (US). RICHARDSON, Aline, D. [US/US]; 1437 Eagle Ridge, Prescott, AZ 86301 (US).

[Continued on next page]

(54) Title: HAIR BRUSH SYSTEMS

(57) Abstract: Hairbrushes having removable handles, kits, methods of use, and methods of sale are provided. The hairbrushes attach to the handles with a rod-and-ratchet system that requires zero insertion or removal force between the brush-head and the handle. The rod-and-ratchet system is actuated with a button on the handle. The kits comprise brush-heads, at least one handle, and a container. The method involves creating a hairstyle for a customer using the brushes and then providing the customer a custom kit of the same types of brushes for use at home.



WO 2009/128816 A1

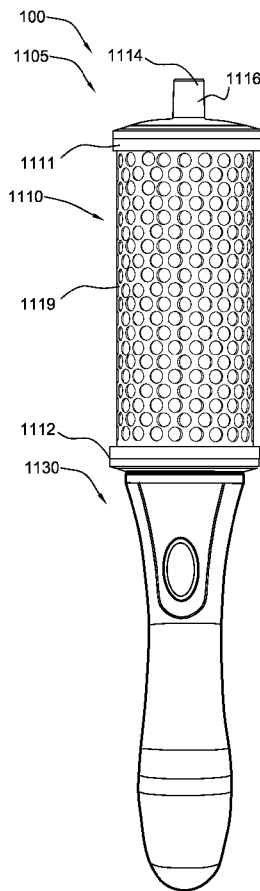


FIG. 11

(84) Designated States (*unless otherwise indicated, for every kind of regional protection available*): ARIPO (BW, GH, GM, KE, LS, MW, MZ, NA, SD, SL, SZ, TZ, UG, ZM, ZW), Eurasian (AM, AZ, BY, KG, KZ, MD, RU, TJ, TM), European (AT, BE, BG, CH, CY, CZ, DE, DK, EE, ES, FI, FR, GB, GR, HR, HU, IE, IS, IT, LT, LU, LV, MC, MT, NL, NO, PL, PT, RO, SE, SI, SK, TR), OAPI (BF, BJ, CF, CG, CI, CM, GA, GN, GQ, GW, ML, MR, NE, SN, TD, TG).

Declarations under Rule 4.17:

— *of inventorship (Rule 4.17(iv))*

Published:

— *with international search report (Art. 21(3))*

HAIR BRUSH SYSTEMS**BACKGROUND**

The present invention relates to hair brush systems. More particularly, the present invention relates to novel hair brushes having detachable handles. Even more particularly, the present invention relates to novel systems for hair brush displays and sales.

No system exists that provides a zero-insertion-force and/or non-indexed attachment between a hair brush and a hair brush handle. Further, no system exists that provides a zero-removal-force attachment between a hair brush and a hair brush handle. Also, no system exists for making and selling custom kits of hairbrushes with removable handles for curling hair.

Therefore, a need exists for a system that provides a zero-insertion-force, non-indexed attachment between a hair brush and a hair brush handle. Further, a need exists for a system that provides a zero-removal-force attachment between a hair brush and a hair brush handle. Also, a need exists for a system for making and selling custom kits of hairbrushes with removable handles for curling hair.

OBJECTS AND FEATURES OF THE INVENTION

A primary object and feature of the present invention is to provide hair brush systems.

It is a further object and feature of the present invention to provide such a system having a zero-insertion-force, non-indexed attachment between a hair brush and a hair brush handle. It is a further object and feature of the present invention to provide such a system having a zero-removal-force attachment between a hair brush and a hair brush handle. It is another further object and feature of the present invention to provide such a system having a rod-and-ratchet attachment between the hairbrushes and the hairbrush handles.

It is a further object and feature of the present invention to provide such a system comprising a method for making and selling custom kits of hairbrushes with removable handles for curling hair. It is a further object and feature of the present invention to provide such a system comprising a method of providing clients with custom hairbrush kits adapted to the customer's personal hairstyle.

A further primary object and feature of the present invention is to provide such a system that is efficient, inexpensive, and handy. Other objects and features of this invention will become apparent with reference to the following descriptions.

SUMMARY OF THE INVENTION

In accordance with a preferred embodiment hereof, this invention provides a hair brush system, comprising: brush means for brushing hair; handle means for handling such brush means; ratchet connector means for securely ratchet-connecting such brush means to such handle means; and ratchet releaser means for releasing such ratchet connector means.

In accordance with a preferred embodiment hereof, this invention provides a hair brush system, comprising: at least one brush adapted to brush hair; at least one handle adapted to handle such at least one brush; at least one ratchet connector adapted to securely ratchet-connect such at least one brush to such at least one handle; and at least one ratchet releaser adapted to release such at least one ratchet connector.

Moreover, it provides such a hair brush system, wherein such at least one ratchet connector comprises at least one spring-biaser adapted to spring-bias such at least one ratchet connector in at least one gripping configuration. Additionally, it provides such a hair brush system, wherein such at least one ratchet releaser comprises at least one spring-bias releaser adapted to release such at least one spring-biaser. Also, it provides such a hair brush system, further comprising at least one spin-resister adapted to resist such at least one brush spinning on such at least one handle. In addition, it provides such a hair brush system, wherein such at least one brush comprises at least one curler adapted to curl hair.

And, it provides such a hair brush system, further comprising at least one container adapted to contain such at least one brush. Further, it provides such a hair brush system, wherein such at least one container comprises at least one tray. Even further, it provides such a hair brush system, wherein such at least one brush comprises at least one container connector adapted to connect such at least one brush to such at least one container. Moreover, it provides such a hair brush system, wherein such at least one brush is substantially cylindrical.

Additionally, it provides such a hair brush system, wherein such at least one ratchet connector comprises: at least one rod; at least one clamp structured and arranged to clamp upon such at least one rod; and at least one spring structured and arranged to hold such at least one clamp clamped upon such at least one rod. Also, it provides such a hair brush system, wherein such at least one ratchet releaser comprises at least one rotator structured and arranged to rotate such at least one clamp wherein such at least one clamp is unclamped from such at least one rod. In addition, it provides such a hair brush system, wherein such at least one rod comprises at least one catch structured and arranged to prevent such at least one rod

from being pulled longitudinally out of such at least one clamp when such at least one clamp is clamped upon such at least one rod.

In accordance with another preferred embodiment hereof, this invention provides a hair brush kit, comprising: a plurality of brushes adapted to brush hair; at least one handle adapted to handle such plurality of brushes wherein such at least one handle comprises at least one ratchet connector adapted to securely ratchet-connect such plurality of brushes to such at least one handle; and at least one ratchet releaser adapted to release such at least one ratchet connector; and at least one container adapted to contain such plurality of brushes and such at least one handle.

And, it provides such a hair brush kit, further comprising at least one rotation preventer structured and arranged to prevent axial rotation between such at least one handle and at least one of such plurality of brushes when such at least one of such plurality of brushes is connected to such at least one handle. Further, it provides such a hair brush kit, wherein each of such plurality of brushes comprises at least one container connector adapted to connect each of such plurality of brushes to such at least one container.

Even further, it provides such a hair brush kit, wherein such at least one container comprises a plurality of holes; and wherein such at least one container connector comprises at least one peg adapted to fit connectively into at least one of such plurality of holes. Moreover, it provides such a hair brush kit, wherein such plurality of brushes comprises at least one brush comprising at least one first diameter and at least one brush comprising at least one second diameter. Additionally, it provides such a hair brush point-of-sale display, wherein such also container comprises at least one tray. Also, it provides such a hair brush point-of-sale display, wherein a plurality of such at least one trays are structured and arranged to interlock with each other.

In accordance with another preferred embodiment hereof, this invention provides a hair brush point-of-sale display, comprising: a plurality of brushes adapted to brush hair; a plurality of handles each adapted to removably connect to such plurality of brushes; and a plurality of containers each adapted to contain a portion of such plurality of brushes and a portion of such plurality of handles.

In addition, it provides such a hair brush point-of-sale display, wherein each of such plurality of brushes comprises at least one container connector adapted to connect each of such plurality of brushes to at least one of such plurality of containers. And, it provides such a hair brush point-of-sale display, wherein such plurality of containers comprises a plurality

of trays. Further, it provides such a hair brush point-of-sale display, wherein such plurality of trays are structured and arranged to interlock with each other. Even further, it provides such a hair brush point-of-sale display, wherein such plurality of containers each comprise a plurality of holes; and wherein such at least one container connector comprises at least one peg adapted to fit connectively into at least one of such plurality of holes. Even further, it provides such a hair brush point-of-sale display, wherein such plurality of brushes comprises at least one brush comprising at least one first diameter and at least one brush comprising at least one second diameter.

In accordance with another preferred embodiment hereof, this invention provides a hair brush sales method, comprising the steps of: styling at least one customer's hair into at least one hairstyle using a plurality of brushes having detachable handles; identifying the types of brushes having detachable handles used to style such at least one customer's hair; selecting new brushes of the same types as the brushes used to style such at least one customer's hair; and selling such new brushes to such at least one customer.

Even further, it provides such a hair brush sales method, further comprising the steps of selecting at least one detachable handle adapted to handle such new brushes and selling such at least one detachable handle to such at least one customer. Even further, it provides such a hair brush sales method, further comprising the step of selling at least one container for such new brushes to such at least one customer. Even further, it provides such a hair brush sales method, further comprising the step of compiling at least one kit comprising such new brushes, at least one detachable handle, and at least one container and selling such at least one kit to such at least one customer. Even further, it provides such a hair brush sales method, further comprising the step of inserting at least one portion of such new brushes into holes in such at least one container for storage.

In accordance with another preferred embodiment hereof, this invention provides a hair brush system, comprising: at least one brush adapted to brush hair; at least one handle structured and arranged to handle such at least one brush; wherein such at least one handle is attachable to and detachable from such at least one brush; and at least one container adapted to contain such at least one brush and such at least one handle; wherein such at least one container comprises a plurality of holes; wherein such at least one brush is structured and arranged to fit connectively into at least one of such plurality of holes; and wherein such at least one handle is structured and arranged to fit connectively into at least one of such

plurality of holes. Even further, it provides such a hair brush system, wherein such at least one container comprises at least one tray.

BRIEF DESCRIPTION OF THE DRAWINGS

FIG. 1 shows a front view illustrating a hair brush according to a preferred embodiment of the present invention.

FIG. 2 shows a front view illustrating the hair brush according to FIG. 1 disassembled into a handle and a brush.

FIG. 3 shows a side view illustrating the attachment mechanism of the hair brush according to FIG. 1 during handle insertion.

FIG. 4 shows a side view illustrating the attachment mechanism of the hair brush according to FIG. 1 during use.

FIG. 5 shows a side view illustrating the attachment mechanism of the hair brush according to FIG. 1 during handle removal.

FIG. 6 shows a front view illustrating a set of brushes according to the preferred embodiment of FIG. 1.

FIG. 7 shows a front view illustrating the components of a kit according to a preferred embodiment of the present invention.

FIG. 8 shows a top view illustrating the kit according to FIG. 7 fully assembled.

FIG. 9 shows a front view illustrating a point-of-sale display according to a preferred embodiment of the present invention.

FIG. 10 shows a block diagram illustrating a method according to the preferred embodiment of the present invention.

FIG. 11 shows a front view illustrating another hair brush according to a preferred embodiment of the present invention.

FIG. 12 shows a front view illustrating the hair brush according to FIG. 11 disassembled into a handle and a brush.

FIG. 13 shows an exploded perspective view illustrating the brush according to FIG. 11.

FIG. 14 shows a top view illustrating the brush according to FIG. 11 without bristles.

FIG. 15 shows a bottom view illustrating the brush according to FIG. 11 without bristles.

FIG. 16 shows an exploded perspective view illustrating the handle according to FIG. 11.

FIG. 17 shows a perspective view illustrating the handle cap according to the preferred embodiment of FIG. 16.

FIG. 18 shows a perspective view illustrating the ratchet actuator according to the preferred embodiment of FIG. 16.

FIG. 19 shows a top view illustrating a storage tray according to a preferred embodiment of the present invention.

FIG. 20 shows a front view illustrating the storage tray according to the preferred embodiment of FIG. 19.

FIG. 21 shows a top view illustrating a plurality of storage trays according to the preferred embodiment of FIG. 19 in an interlocking array.

FIG. 22 shows a perspective view illustrating another kit according to a preferred embodiment of the present invention.

DETAILED DESCRIPTION OF THE BEST MODES AND PREFERRED EMBODIMENTS OF THE INVENTION

FIG. 1 shows a front view illustrating hair brush **105** according to a preferred embodiment of the present invention. Preferably, hair brush system **100** comprises hairbrush **105**, as shown. Preferably, hairbrush **105** comprises brush **110** and handle **130**, as shown. Preferably, handle **130** is detachable from brush **110**, as shown in FIG. 2. Preferably, hairbrushes **105** are used to style hair by placing brushes **110** (at least embodying herein wherein such at least one brush comprises at least one curler adapted to curl hair) in the hair as curlers, preferably while blow-drying the hair. Preferably, multiple brushes **110** of varying diameters are used in order to create unique hairstyles.

Preferably, brush **110** comprises bristles **118**, as shown. Preferably, brush **110** comprises brush-head **119**, as shown. Preferably, brush **110** comprises end **111** and end **112**, as shown. Preferably, bristles **118** comprise nylon bristles. Preferably, brush-head **119** comprises at least one ceramic heat-retaining coating. Upon reading the teachings of this specification, those with ordinary skill in the art will now understand that, under appropriate circumstances, considering such issues as advances in technology, user preference, intended hairstyle, manufacturing costs, etc., other types of brushes, such as flat brushes, spherical brushes, oval brushes, combs, curlers without bristles, other types of bristles, etc., may suffice.

Preferably, brush **110** comprises connector **114** on end **111**, as shown. Preferably, connector **114** comprises peg **116**, as shown. Preferably, peg **116** comprises metal.

Preferably, connector **114** removably attaches brush **110** to container **700**, as shown in FIG. 8. Upon reading the teachings of this specification, those with ordinary skill in the art will now understand that, under appropriate circumstances, considering such issues as advances in technology, user preference, etc., other connectors, such as slots, clips, fittings, other peg shapes, other peg materials, magnets, etc., may suffice.

FIG. 2 shows a front view illustrating hairbrush **105** according to FIG. 1 disassembled into handle **130** and brush **110**. Preferably, handle **130** comprises attacher **230**, as shown. Preferably, attacher **230** comprises ratchet **232**, as shown in FIG. 3. Preferably, ratchet **232** comprises ratchet actuator **234**, as shown. Preferably, ratchet actuator **234** actuates ratchet **232** between at least one locked position and at least one unlocked position, as shown in FIGS. 3-5. Upon reading the teachings of this specification, those with ordinary skill in the art will now understand that, under appropriate circumstances, considering such issues as advances in technology, user preference, etc., other handle components, such as a means for heating the brush, a means for blowing air into the brush, a means for applying styling products to the brush, etc., may suffice.

Preferably, brush **110** comprises attacher **210** on end **112**, as shown. Preferably, attacher **120** comprises rod **122**, as shown. Preferably, attacher **120** comprises rod support **121**, as shown. Preferably, rod **122** comprises metal. Preferably, attacher **210** attaches to attacher **230**, as shown in FIG. 4. Preferably, ratchet **232** attaches to rod **122**, as shown in FIG. 4. Upon reading the teachings of this specification, those with ordinary skill in the art will now understand that, under appropriate circumstances, considering such issues as advances in technology, user preference, manufacturing considerations, intended use, etc., other attachers, such as hook and loop fasteners, magnets, other clamps, friction fittings, other rotationally indexed connectors, other types of actuators, etc., may suffice.

FIG. 3 shows a side view illustrating attacher **230** of hairbrush **105** according to FIG. 1 during handle **130** insertion. Preferably, attacher **210** and attacher **230** together comprise attacher **300** (at least embodying herein at least one ratchet connector adapted to securely ratchet-connect such at least one brush to such at least one handle), as shown. Preferably, ratchet **232** comprises clamp **310**, lever **312**, fulcrum **314**, spring **316**, and ratchet actuator **234**, as shown. Preferably, fulcrum **314** holds clamp **310** and lever **312** while permitting clamp **310** and lever **312** to rotate about fulcrum **314**, as shown. Preferably, clamp **310** and lever **312** comprise one continuous piece of metal bent about fulcrum **314**, as shown. Upon reading the teachings of this specification, those with ordinary skill in the art will now

understand that, under appropriate circumstances, considering such issues as advances in technology, user preference, ease of manufacturing, etc., other ratchet mechanisms, clamping mechanisms, etc., may suffice.

Preferably, clamp **310** comprises aperture **311**, as shown. Preferably, clamp **310** (at least embodying herein at least one clamp structured and arranged to clamp upon such at least one rod) is slightly wider than aperture **311**, as shown. Preferably, clamp **310** is about one-eighths inch thick. Preferably, aperture **311** is sized and shaped to fit over rod **122**, as shown. Preferably, rod **122** is about one-eighths inch in diameter. Preferably, aperture **311** is slightly larger than one-eighths inch in diameter. Preferably, aperture **311** fits over rod **122** at any angle of rotation about axis **330**. Preferably, rod **122** is substantially circular, as shown in FIG. 8. Preferably, aperture **311** is substantially circular. Upon reading the teachings of this specification, those with ordinary skill in the art will now understand that, under appropriate circumstances, considering such issues as advances in technology, user preference, etc., other arrangements, such as the aperture comprising a slot, the aperture comprising a hole placed longitudinally into the end of a lever, the rod and aperture being rotationally indexed, other rod diameters, other aperture diameters, etc., may suffice.

Preferably, when ratchet actuator **234** is compressed, ratchet **232** is moved into an unlocked position where aperture **311**, as shown. Preferably, when ratchet actuator **234** (at least embodying herein at least one ratchet releaser adapted to release such at least one ratchet connector) is compressed, aperture **311** is moved into an alignment approximately perpendicular to rod **122**, whereby rod **122** is insertable into aperture **311** without binding, as shown. Preferably, when ratchet actuator **234** is compressed, rod **122** is insertable into aperture **311** without applying substantially any pressing force to rod **122**, as shown. This technique is useful for quickly attaching brush **110** to handle **130** when brush **110** is in a customer's hair, because handle **130** can be attached to brush **110** without the necessity of the stylist holding brush **110** in his or her other hand.

Preferably, at the stylist's choice, rod **122** may be pressed into aperture **311** without the stylist compressing ratchet actuator **234**, as shown. This technique is useful for quickly attaching brush **110** to handle **130** prior to use in a customer's hair.

FIG. 4 shows a side view illustrating attacher **210** of hairbrush **105** according to FIG. 1 during use. Preferably, when ratchet actuator **234** is released, ratchet **232** is moved into the locked position, as shown. Preferably, when ratchet actuator **234** is released, spring **316** (at least embodying herein at least one spring structured and arranged to hold such at least one

clamp clamped upon such at least one rod) moves aperture **311** over rod **122** (by moving lever **312** and clamp **310**), as shown, and applies clamping pressure whereby rod **122** is securely held by aperture **311**. Preferably, spring **316** (at least embodying herein wherein such at least one ratchet connector comprises at least one spring-biaser adapted to spring-bias such at least one ratchet connector in at least one gripping configuration) comprises a metal coil spring.

Preferably, spring **316** (at least embodying herein at least one spin-resister adapted to resist such at least one brush spinning on such at least one handle) provides sufficient clamping pressure that aperture **311** resists rotating about rod **122** as hair brush **105** is used. Preferably, rod **122** and/or the interior wall of aperture **311** comprise at least one slip-resistant texture. Upon reading the teachings of this specification, those with ordinary skill in the art will now understand that, under appropriate circumstances, considering such issues as advances in technology, user preference, etc., other means of preventing brush rotation, such as indexing, sloping the walls of the aperture to provide greater contact area between the aperture and the rod, applying a non-slip coating to the rod, applying a non-slip coating to the aperture, etc., may suffice.

FIG. 5 shows a side view illustrating attacher **210** of hairbrush **105** according to FIG. 1 during handle **130** removal. Preferably, when ratchet actuator **234** (at least embodying herein wherein such at least one ratchet releaser comprises at least one rotator structured and arranged to rotate such at least one clamp wherein such at least one clamp is unclamped from such at least one rod) is compressed, ratchet **232** is moved into the unlocked position, as shown. Preferably, when ratchet actuator **234** (at least embodying herein wherein such at least one ratchet releaser comprises at least one spring-bias releaser adapted to release such at least one spring-biaser) is compressed (simultaneously compressing spring **316**), aperture **311** is moved into an alignment approximately perpendicular to rod **122**, as shown, whereby rod **122** is removable from aperture **311** without binding. Preferably, when ratchet actuator **234** is compressed, rod **122** (at least embodying herein at least one rod) is removable from aperture **311** without applying substantially any pulling force to rod **122**. This technique is useful for quickly removing brush **110** from handle **130** when brush **110** is in a customer's hair, because handle **130** can be removed from brush **110** without the necessity of the stylist holding brush **110** in his or her other hand.

FIG. 6 shows a front view illustrating a set of brushes **110** according to the preferred embodiment of FIG. 1. Preferably, brushes **110** comprise multiple sizes, as shown.

Preferably, brushes **110** comprise smallest brush **610** and largest brush **616**, as shown.

Preferably, brushes **110** comprise medium brush **612**, as shown. Preferably, brushes **110** comprise small brush **614**, as shown.

Preferably, brushes **110** are about seven inches long. More preferably, the portion of brush **110** comprising bristles **118** is about four inches long. Preferably, largest brush **616** is about two and one half inches in diameter. Preferably, smallest brush **610** is about one inch in diameter. Preferably, brushes **110** (at least embodying herein wherein such at least one brush is substantially cylindrical) are substantially cylindrical for use as curlers, as shown. Upon reading the teachings of this specification, those with ordinary skill in the art will now understand that, under appropriate circumstances, considering such issues as advances in technology, user preference, etc., other brush sizes, shapes, bristles, combinations of sizes in a set, etc., may suffice.

FIG. 7 shows a front view illustrating the components of kit **700** according to the preferred embodiment of the present invention. Preferably, hair brush system **100** comprises kit **700**, as shown. Preferably, kit **700** comprises a plurality of brushes **110** (at least embodying herein at least one brush adapted to brush hair), at least one handle **130** (at least embodying herein at least one handle adapted to handle such at least one brush), and at least one container **710**, as shown. Preferably, all handles **130** attach to all brushes **110** in the same kit **700**. Preferably, container **710** (at least embodying herein at least one container adapted to contain such at least one brush) is adapted to hold brushes **110** (at least embodying herein wherein such plurality of brushes comprises at least one brush comprising at least one first diameter and at least one brush comprising at least one second diameter) in a plurality of sizes and at least one handle **130**, as shown. More preferably, container **710** is a closable container adapted to contain brushes **110** and handle **130**, as shown. Upon reading the teachings of this specification, those with ordinary skill in the art will now understand that, under appropriate circumstances, considering such issues as advances in technology, user preference, etc., other kit components, such as user instructions, brush placement diagrams, replacement parts, hair-styling products, other hair-styling tools, brushes that selectively connect to one handle in the kit but not to another handle in the kit, etc., may suffice.

FIG. 8 shows a top view illustrating kit **700** according to FIG. 7 fully assembled. Preferably, container **710** comprises interior **812**, as shown. Preferably, interior **812** comprises holes **814**, as shown. Preferably, holes **814** are adapted to friction-fit onto peg **116** (at least embodying herein wherein such at least one brush comprises at least one container

connector adapted to connect such at least one brush to such at least one container).

Preferably, pegs **116** are inserted into holes **814** in order to conveniently hold brushes **110** in container **710**.

Preferably, container **710** comprises slot **820**, as shown. Preferably, slot **820** is adapted to friction-fit handle **130**. Preferably, handle **130** is inserted into slot **820** for storage. Upon reading the teachings of this specification, those with ordinary skill in the art will now understand that, under appropriate circumstances, considering such issues as advances in technology, user preference, etc., other storage arrangements, such as a stand, a bag, etc., may suffice.

FIG. 9 shows a front view illustrating point-of-sale display **900** according to the preferred embodiment of the present invention. Preferably, hair brush system **100** comprises display **900**, as shown. Preferably, a plurality of brushes **110**, a plurality of handles **130**, and a plurality of containers **710** are provided to consumers in display **900**, as shown. Preferably, all handles **130** attach to all brushes **110** in display **900**. Preferably, display **900** further comprises display stand **901**, as shown. Preferably, display stand **901** is adapted to hold at least such plurality of brushes **110** and such plurality of handles **130** in a consumer-accessible arrangement. Upon reading the teachings of this specification, those with ordinary skill in the art will now understand that, under appropriate circumstances, considering such issues as advances in technology, user preference, etc., other display components, such as styling guides, styling products, other styling tools, etc., may suffice.

Preferably, consumers select one or more brushes **110**, one or more handles **130**, and (preferably one) container **710** from display **900**, according to type of hairstyle they wish to create. Preferably, consumers create one or more kits **700** from the components of display **900**.

FIG. 10 shows a block diagram of method **1000** according to the preferred embodiment of the present invention. Preferably, hair brush system **100** comprises method **1000**, as shown. Preferably, method **1000** comprises the steps of: styling (step **1010**) at least one customer's hair into at least one hairstyle using a plurality of brushes **110** having detachable handles **130**; identifying (step **1020**) the types of brushes **110** having detachable handles **130** used to style such at least one customer's hair; selecting (step **1030**) new brushes **110** of the same types as the brushes **110** used to style such at least one customer's hair; and selling (step **1040**) such new brushes **110** to such at least one customer, as shown (at least embodying herein the step of styling at least one customer's hair into at least one hairstyle

using a plurality of brushes having detachable handles; and at least embodying herein the step of identifying the types of brushes having detachable handles used to style such at least one customer's hair; at least embodying herein the step of selecting new brushes of the same types as the brushes used to style such at least one customer's hair; at least embodying herein the step of selling such new brushes to such at least one customer).

Preferably, method **1000** further comprises the step of selecting (step **1050**) at least one detachable handle **130** adapted to handle such new brushes **110** and selling (step **1060**) such at least one detachable handle **130** to such at least one customer, as shown (at least embodying herein the step of selecting at least one detachable handle adapted to handle such new brushes and selling such at least one detachable handle to such at least one customer). Preferably, method **1000** further comprises the step of selling (step **1070**) at least one container **710** for such new brushes **110** to such at least one customer, as shown (at least embodying herein the step of selling at least one container for such new brushes to such at least one customer).

Preferably, method **1000** further comprises the step of compiling (step **1080**) at least one kit **700** comprising such new brushes **110** (at least embodying herein a plurality of brushes adapted to brush hair), at least one detachable handle **130** (at least embodying herein a plurality of handles each adapted to removably connect to such plurality of brushes), and at least one container **710** (at least embodying herein a plurality of containers each adapted to contain a portion of such plurality of brushes and a portion of such plurality of handles) and selling (step **1090**) such kit **700** to such at least one customer, as shown (at least embodying herein the step of compiling at least one kit comprising such new brushes, at least one detachable handle, and at least one container and selling such at least one kit to such at least one customer). Preferably, method **1000** assists a hairstylist to create a custom hairstyle for a customer and then provide a custom kit **700** to the customer to enable the customer to recreate the custom hairstyle at home. Upon reading the teachings of this specification, those with ordinary skill in the art will now understand that, under appropriate circumstances, considering such issues as advances in technology, user preference, intended use, changes in hairstyles, etc., other steps, such as adding new brushes to an existing kit, adding new handles to an existing kit, etc., may suffice.

FIG. 11 shows a front view illustrating another hair brush **1105** according to the preferred embodiment of the present invention. Preferably, hair brush system **100** comprises hair brush **1105**, as shown. Preferably, hairbrush **1105** is a modification of hairbrush **105**, as

shown. Preferably, hairbrush **1105** comprises brush **1110** and handle **1130**, as shown. Preferably, handle **1130** is detachable from brush **1110**, as shown in FIG. 12.

Preferably, brush **1110** comprises bristles **1118**, as shown in FIGS. 13 and 22. Bristles **1118** are not shown in the present figure for clarity. Preferably, brush **1110** comprises brush-head **1119**, as shown. Preferably, brush **1110** comprises top end **1111** and bottom end **1112**, as shown. Preferably, brush-head **1119** comprises at least one ceramic heat-retaining coating. Upon reading the teachings of this specification, those with ordinary skill in the art will now understand that, under appropriate circumstances, considering such issues as advances in technology, user preference, intended hairstyle, manufacturing costs, etc., other types of brushes, such as flat brushes, spherical brushes, oval brushes, combs, curlers without bristles, other types of bristles, etc., may suffice.

Preferably, brush **1110** comprises connector **1114** on top end **1111**, as shown. Preferably, connector **1114** comprises peg **1116**, as shown. Preferably, top end **1111** and peg **1116** comprise plastic. Preferably, connector **1114** (at least embodying herein wherein each of such plurality of brushes comprises at least one container connector adapted to connect each of such plurality of brushes to such at least one container) removably attaches brush **1110** to container **1900**, as shown in FIG. 22. Upon reading the teachings of this specification, those with ordinary skill in the art will now understand that, under appropriate circumstances, considering such issues as advances in technology, user preference, etc., other connectors, such as slots, clips, fittings, other peg shapes, other materials, magnets, etc., may suffice.

FIG. 12 shows a front view illustrating hair brush **1105** according to FIG. 11 disassembled into handle **1130** and brush **1110**. Preferably, handle **1130** comprises attacher **1230**, as shown. Preferably, attacher **1230** comprises ratchet **1232**, as shown in FIG. 16. Preferably, ratchet **1232** comprises ratchet actuator **1234**, as shown. Preferably, ratchet actuator **1234** actuates ratchet **1232** between at least one locked position and at least one unlocked position, substantially as shown in FIGS. 3-5. Upon reading the teachings of this specification, those with ordinary skill in the art will now understand that, under appropriate circumstances, considering such issues as advances in technology, user preference, etc., other handle components, such as a means for heating the brush, a means for blowing air into the brush, a means for applying styling products to the brush, etc., may suffice.

Preferably, brush **1110** comprises attacher **1210** on bottom end **1112**, as shown. Preferably, attacher **1210** comprises rod **1122**, as shown. Preferably, rod **1122** comprises

metal. Preferably, attacher **1210** attaches to attacher **1230**, substantially as shown in FIG. 4. Preferably, ratchet **1232** attaches to rod **1122**, substantially as shown in FIG. 4. Preferably, rod **1122** comprises catch **1233**, as shown. Preferably, catch **1233** (at least embodying herein wherein such at least one rod comprises at least one catch structured and arranged to prevent such at least one rod from being pulled longitudinally out of such at least one clamp when such at least one clamp is clamped upon such at least one rod) helps to prevent rod **1122** from being pulled longitudinally out of ratchet **1232** while ratchet **1232** is clamped upon rod **1122**. Upon reading the teachings of this specification, those with ordinary skill in the art will now understand that, under appropriate circumstances, considering such issues as advances in technology, user preference, manufacturing considerations, intended use, etc., other attachers, such as hook and loop fasteners, magnets, other clamps, friction fittings, other rotationally indexed connectors, other types of actuators, etc., may suffice.

Preferably, brush **1110** comprises indexer **1140**, as shown. Preferably, indexer **1140** is molded in one piece with bottom end **1112**, as shown. Preferably, indexer **1140** comprises at least one cylinder having a non-circular cross-section, as shown. Preferably, indexer **1140** is located adjacent rod **1122**, as shown. Preferably, indexer **1140** (at least embodying herein at least one rotation preventer structured and arranged to prevent axial rotation between such at least one handle and at least one of such plurality of brushes when such at least one of such plurality of brushes is connected to such at least one handle) fits into matching indexer socket **1150** (as shown in FIG. 16) on handle cap **1152** thereby preventing axial rotation of brush **1110** on handle **1130**. Preferably, indexer **1140** comprises a hexagonal cross-section, as shown in FIG. 15. Indexer **1140** requires brush **1110** and handle **1130** to be properly rotationally aligned with each other in order for handle **1130** to be attached to brush **1110**. The preferred hexagonal cross section of indexer **1140** permits the user to rotationally align handle **1130** to a stationary brush **1110** with a small twist of the user's wrist in either rotational direction. Upon reading the teachings of this specification, those with ordinary skill in the art will now understand that, under appropriate circumstances, considering such issues as advances in technology, user preference, etc., other indexer cross-sections, such as octagonal, heptagonal, square, rectangular, oval, etc., may suffice.

FIG. 13 shows an exploded perspective view illustrating brush **1110** according to FIG. 11. Preferably, brush **1110** comprises top end **1111**, top connector ring **1312**, bristles **1118**, brush-head **1119**, bottom connector ring **1320**, label **1325**, bottom end **1112**, and rod **1122**, as shown.

Preferably, bristles **1118** (shown here simplified as a cylinder) are connected to wire **1115**, as shown. Preferably, wire **1115** with bristles **1118** is placed inside brush-head **1119** and is secured in place between top end **1111** and bottom end **1112**. Preferably, bristles **1118** extend through apertures **1117** in brush-head **1119**, as shown in FIG. 22. Preferably, bristles **1118** comprise nylon bristles. Upon reading the teachings of this specification, those with ordinary skill in the art will now understand that, under appropriate circumstances, considering such issues as advances in technology, user preference, etc., other brush construction, such as bristles affixed to the exterior of the brush-head, bristles set into sockets, other bristle materials, etc., may suffice.

Preferably, brush-head **1119** is capped with top end **1111** and bottom end **1112**, as shown. Preferably, top connector ring **1312** covers the interface between brush-head **1119** and top end **1111**. Preferably, bottom connector ring **1320** covers the interface between brush-head **1119** and bottom end **1112**, as shown. Preferably, rod **1122** is fixedly connected to bottom end **1112**. Preferably, top end **1111**, top connector ring **1312**, brush-head **1119**, bottom connector ring **1320**, rod **1122**, and bottom end **1112** are held together by the tight frictional fit between them. More preferably, top end **1111**, top connector ring **1312**, brush-head **1119**, bottom connector ring **1320**, rod **1122**, and bottom end **1112** are held together by adhesive.

Preferably, label **1325** provides a visual indicator of the size of brush **1110**. Preferably, label **1325** comprises a disc of paper, plastic, metal, etc., imprinted with a size indicator. Upon reading the teachings of this specification, those with ordinary skill in the art will now understand that, under appropriate circumstances, considering such issues as advances in technology, user preference, etc., other size indicators, such as no size indicator, embossing the size indicator onto the bottom end and/or the top end, color coding the brush to indicate size, etc., may suffice.

FIG. 14 shows a top view illustrating brush **1110** according to FIG. 11 without bristles **1118**.

FIG. 15 shows a bottom view illustrating brush **1110** according to FIG. 11 without bristles **1118**.

FIG. 16 shows an exploded perspective view illustrating handle **1130** according to FIG. 11. Preferably, attacher **1210** and attacher **1230** together comprise attacher **1300**. Preferably, ratchet **1232** comprises clamp **1310**, fulcrum **1314**, spring **1316**, and ratchet actuator **1234**, as shown. Preferably, handle cap **1152** comprises fulcrum **1314**, as shown.

Preferably, ratchet actuator **1234** is rotatably connected to handle cap **1152** at fulcrum **1314** by hinges **1153**, as shown. Preferably, ratchet actuator **1234** fixedly holds flange **1309** of clamp **1310** in slot **1236**. Preferably, ratchet actuator **1234** rotates about fulcrum **1314** when pressed. Upon reading the teachings of this specification, those with ordinary skill in the art will now understand that, under appropriate circumstances, considering such issues as advances in technology, user preference, ease of manufacturing, etc., other ratchet mechanisms may suffice.

Preferably, clamp **1310** comprises aperture **1311**, as shown. Preferably, clamp **1310** is slightly wider than aperture **1311**, as shown. Preferably, clamp **1310** is about one-eighths inch thick. Preferably, aperture **1311** is sized and shaped to fit over rod **1122**. Preferably, rod **1122** is about one-eighths inch in diameter. Preferably, aperture **1311** is slightly larger than one-eighths inch in diameter. Preferably, aperture **1311** fits over rod **1122** at any angle of rotation about axis **1330**. Preferably, rod **1122** is substantially circular, as shown in FIG. 15. Preferably, aperture **1311** is substantially circular. Upon reading the teachings of this specification, those with ordinary skill in the art will now understand that, under appropriate circumstances, considering such issues as advances in technology, user preference, etc., other arrangements, such as the aperture comprising a slot, the aperture comprising a hole placed longitudinally into the end of a lever, the rod and aperture being rotationally indexed, other rod diameters, other aperture diameters, etc., may suffice.

Preferably, when ratchet actuator **1234** is compressed, ratchet **1232** is moved into an unlocked position, substantially as shown in FIG. 3. Preferably, when ratchet actuator **1234** is compressed, aperture **1311** is moved into an alignment approximately perpendicular to rod **1122**, whereby rod **1122** is insertable into aperture **1311** without binding, substantially as shown in FIG. 3. Preferably, when ratchet actuator **1234** is compressed, rod **1122** is insertable into aperture **1311** without applying substantially any pressing force to rod **122**, substantially as shown in FIG. 3.

Preferably, when ratchet actuator **1234** is released, ratchet **1232** is moved into the locked position by spring **1316**, substantially as shown in FIG. 4. Preferably, when ratchet actuator **1234** is released, spring **1316** moves aperture **1311** over rod **1122** (by moving ratchet actuator **1234** with attached clamp **1310**), substantially as shown in FIG. 4, and applies clamping pressure whereby rod **1122** is securely held by aperture **1311**. Preferably, spring **1316** comprises a metal coil spring. Preferably, spring **1316** is held between ratchet actuator **1234** and fixture **1317** on handle cap **1152** which is located opposite ratchet actuator **1234**.

Preferably, when ratchet actuator **1234** is again compressed, rod **1122** is removable from aperture **1311** without applying substantially any pulling force to rod **1122**.

Preferably, handle **1130** comprises housing **1670**, as shown. Preferably, housing **1670** is molded in two pieces which are fitted together lengthwise during assembly. Preferably, handle **1130** comprises ring **1672**, as shown. Preferably, ring **1672** assists in holding housing **1670** together.

FIG. 17 shows a perspective view illustrating handle cap **1152** according to the preferred embodiment of FIG. 16. Preferably, handle cap **1152** comprises aperture **1710**, as shown. Preferably, aperture **1710** permits rod **1122** to pass through handle cap **1152** to clamp **1310**.

FIG. 18 shows a perspective view illustrating ratchet actuator **1234** according to the preferred embodiment of FIG. 16. Preferably, spring **1316** fits over and is held by fixture **1237**. Preferably, ratchet actuator **1234** fixedly holds flange **1309** of clamp **1310** in slot **1236**.

FIG. 19 shows a top view illustrating storage tray **1900** according to the preferred embodiment of the present invention. Preferably, container **710** comprises storage tray **1900** (at least embodying herein wherein such at least one container comprises at least one tray), as shown. Preferably, storage tray **1900** (at least embodying herein wherein such at least one container comprises at least one tray) comprises interior **1912**, as shown. Preferably, interior **1912** comprises holes **1914** (at least embodying herein wherein such at least one container comprises a plurality of holes), as shown. Preferably, holes **1914** are adapted to friction-fit onto connectors **1114** (preferably comprising pegs **1116** (at least embodying herein wherein such at least one container connector comprises at least one peg adapted to fit connectively into at least one of such plurality of holes)). Preferably, pegs **1116** are inserted into holes **1914** in order to conveniently hold brushes **1110** in storage tray **1900**, as shown in FIG. 22. Preferably, storage tray **1900** comprises plastic.

Optional recesses **1940** adjacent holes **1914** permit brushes **1110** to be more deeply set into storage tray **1900**, as shown in FIG. 22.

Preferably, storage tray **1900** comprises slot **1920**, as shown. Preferably, slot **1920** is adapted to friction-fit handle **1130**. Preferably, handle **1130** is inserted into slot **1920** for storage. Upon reading the teachings of this specification, those with ordinary skill in the art will now understand that, under appropriate circumstances, considering such issues as advances in technology, user preference, etc., other storage arrangements, such as a stand, a bag, etc., may suffice.

FIG. 20 shows a front view illustrating storage tray **1900** according to the preferred embodiment of FIG. 19. Preferably, storage tray **1900** comprises tray connectors **2010** (at least embodying herein wherein a plurality of such at least one trays are structured and arranged to interlock with each other), as shown. Preferably, tray connectors **2010** permit a plurality of storage trays **1900** to be connected to each other side-by-side, as shown in FIG. 21. Preferably, tray connectors **2010** clip under an edge **2012** of another storage tray **1900**. Preferably, tray connectors **2010** releasably attach a plurality of storage trays **1900** to each other. Upon reading the teachings of this specification, those with ordinary skill in the art will now understand that, under appropriate circumstances, considering such issues as advances in technology, user preference, etc., other tray connectors, such as locking tray connectors, stacking tray connectors, adhesive connectors, etc., may suffice.

FIG. 21 shows a top view illustrating a plurality of storage trays **1900** according to the preferred embodiment of FIG. 19 in an interlocking array. Preferably, any number of storage trays **1900** can be connected together for the convenience of the end-user or to form point-of-sale displays. Preferably, point-of-sale display **900** further comprises a plurality of interlocked storage trays **1900**, as shown.

FIG. 22 shows a perspective view illustrating another hairbrush kit **2200** according to the preferred embodiment of the present invention. Preferably, hair brush system **100** comprises hairbrush kit **2200**, as shown. Preferably, kit **2200** comprises at least one storage tray **1900** (at least embodying herein at least one container adapted to contain such plurality of brushes and such at least one handle), at least one handle **1130** (at least embodying herein at least one handle adapted to handle such plurality of brushes wherein such at least one handle comprises at least one ratchet connector adapted to securely ratchet-connect such plurality of brushes to such at least one handle; and at least embodying herein wherein such at least one handle comprises at least one ratchet releaser adapted to release such at least one ratchet connector), and at least two brushes **1110** (at least embodying herein a plurality of brushes adapted to brush hair), as shown. Upon reading the teachings of this specification, those with ordinary skill in the art will now understand that, under appropriate circumstances, considering such issues as advances in technology, user preference, etc., other kit components, such as instructions, packaging, hair accessories, styling products, etc., may suffice.

Although applicant has described applicant's preferred embodiments of this invention, it will be understood that the broadest scope of this invention includes modifications such as

diverse shapes, sizes, and materials. Such scope is limited only by the below claims as read in connection with the above specification. Further, many other advantages of applicant's invention will be apparent to those skilled in the art from the above descriptions and the below claims.

20
CLAIMS

What is claimed is:

- 1) A hair brush system, comprising:
 - a) at least one brush adapted to brush hair;
 - b) at least one handle adapted to handle said at least one brush;
 - c) at least one ratchet connector adapted to securely ratchet-connect said at least one brush to said at least one handle; and
 - d) at least one ratchet releaser adapted to release said at least one ratchet connector.
- 2) The hair brush system, according to Claim 1, wherein said at least one ratchet connector comprises at least one spring-biaser adapted to spring-bias said at least one ratchet connector in at least one gripping configuration.
- 3) The hair brush system, according to Claim 2, wherein said at least one ratchet releaser comprises at least one spring-bias releaser adapted to release said at least one spring-biaser.
- 4) The hair brush system, according to Claim 1, further comprising at least one spin-resister adapted to resist said at least one brush spinning on said at least one handle.
- 5) The hair brush system, according to Claim 1, wherein said at least one brush comprises at least one curler adapted to curl hair.
- 6) The hair brush system, according to Claim 1, further comprising at least one container adapted to contain said at least one brush.
- 7) The hair brush system, according to Claim 6, wherein said at least one container comprises at least one tray.
- 8) The hair brush system, according to Claim 6, wherein said at least one brush comprises at least one container connector adapted to connect said at least one brush to said at least one container.

- 9) The hair brush system, according to Claim 1, wherein said at least one brush is substantially cylindrical.
- 10) The hair brush system, according to Claim 1, wherein said at least one ratchet connector comprises:
 - a) at least one rod;
 - b) at least one clamp structured and arranged to clamp upon said at least one rod; and
 - c) at least one spring structured and arranged to hold said at least one clamp clamped upon said at least one rod.
- 11) The hair brush system, according to Claim 10, wherein said at least one ratchet releaser comprises at least one rotator structured and arranged to rotate said at least one clamp wherein said at least one clamp is unclamped from said at least one rod.
- 12) The hair brush system, according to Claim 10, wherein said at least one rod comprises at least one catch structured and arranged to prevent said at least one rod from being pulled longitudinally out of said at least one clamp when said at least one clamp is clamped upon said at least one rod.
- 13) A hair brush kit, comprising:
 - a) a plurality of brushes adapted to brush hair;
 - b) at least one handle adapted to handle said plurality of brushes
 - i) wherein said at least one handle comprises at least one ratchet connector adapted to securely ratchet-connect said plurality of brushes to said at least one handle; and
 - ii) at least one ratchet releaser adapted to release said at least one ratchet connector; and
 - c) at least one container adapted to contain said plurality of brushes and said at least one handle.
- 14) The hair brush kit, according to Claim 13, further comprising at least one rotation preventer structured and arranged to prevent axial rotation between said at least one handle and at least one of said plurality of brushes when said at least one of said plurality of brushes is connected to said at least one handle.
- 15) The hair brush kit, according to Claim 13, wherein each of said plurality of brushes comprises at least one container connector adapted to connect each of said plurality of brushes to said at least one container.

- 16) The hair brush kit, according to Claim 15,
 - a) wherein said at least one container comprises a plurality of holes; and
 - b) wherein said at least one container connector comprises at least one peg adapted to fit connectively into at least one of said plurality of holes.
- 17) The hair brush kit, according to Claim 13, wherein said plurality of brushes comprises at least one brush comprising at least one first diameter and at least one brush comprising at least one second diameter.
- 18) The hair brush point-of-sale display, according to Claim 13, wherein said also container comprises at least one tray.
- 19) The hair brush point-of-sale display, according to Claim 13, wherein a plurality of said at least one trays are structured and arranged to interlock with each other.
- 20) A hair brush point-of-sale display, comprising:
 - a) a plurality of brushes adapted to brush hair;
 - b) a plurality of handles each adapted to removably connect to said plurality of brushes; and
 - c) a plurality of containers each adapted to contain a portion of said plurality of brushes and a portion of said plurality of handles.
- 21) The hair brush point-of-sale display, according to Claim 20, wherein each of said plurality of brushes comprises at least one container connector adapted to connect each of said plurality of brushes to at least one of said plurality of containers.
- 22) The hair brush point-of-sale display, according to Claim 20, wherein said plurality of containers comprises a plurality of trays.
- 23) The hair brush point-of-sale display, according to Claim 22, wherein said plurality of trays are structured and arranged to interlock with each other.
- 24) The hair brush point-of-sale display, according to Claim 20,
 - a) wherein said plurality of containers each comprise a plurality of holes; and
 - b) wherein said at least one container connector comprises at least one peg adapted to fit connectively into at least one of said plurality of holes.
- 25) The hair brush point-of-sale display, according to Claim 20, wherein said plurality of brushes comprises at least one brush comprising at least one first diameter and at least one brush comprising at least one second diameter.
- 26) A hair brush sales method, comprising the steps of:
 - a) styling at least one customer's hair into at least one hairstyle using a plurality

- of brushes having detachable handles;
- b) identifying the types of brushes having detachable handles used to style such at least one customer's hair;
 - c) selecting new brushes of the same types as the brushes used to style such at least one customer's hair; and
 - d) selling such new brushes to such at least one customer.
- 27) The hair brush sales method, according to Claim 26, further comprising the steps of selecting at least one detachable handle adapted to handle such new brushes and selling such at least one detachable handle to such at least one customer.
- 28) The hair brush sales method, according to Claim 26, further comprising the step of selling at least one container for such new brushes to such at least one customer.
- 29) The hair brush sales method, according to Claim 26, further comprising the step of compiling at least one kit comprising such new brushes, at least one detachable handle, and at least one container and selling such at least one kit to such at least one customer.
- 30) The hair brush sales method, according to Claim 26, further comprising the step of inserting at least one portion of such new brushes into holes in such at least one container for storage.
- 31) A hair brush system, comprising:
- a) at least one brush adapted to brush hair;
 - b) at least one handle structured and arranged to handle said at least one brush;
 - c) wherein said at least one handle is attachable to and detachable from said at least one brush; and
 - d) at least one container adapted to contain said at least one brush and said at least one handle;
 - e) wherein said at least one container comprises a plurality of holes;
 - f) wherein said at least one brush is structured and arranged to fit connectively into at least one of said plurality of holes; and
 - g) wherein said at least one handle is structured and arranged to fit connectively into at least one of said plurality of holes.
- 32) The hair brush system, according to Claim 31, wherein said at least one container comprises at least one tray.

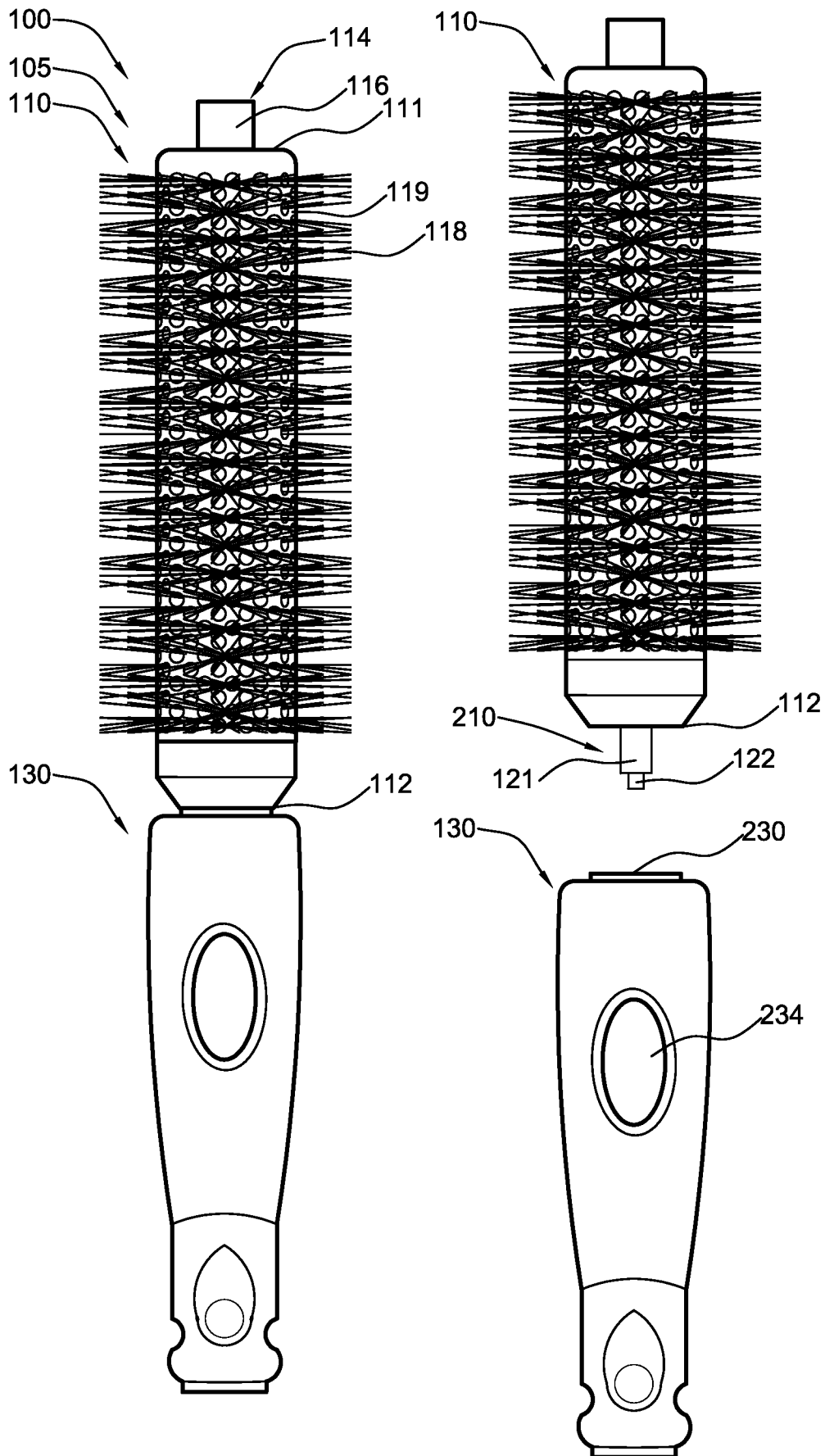
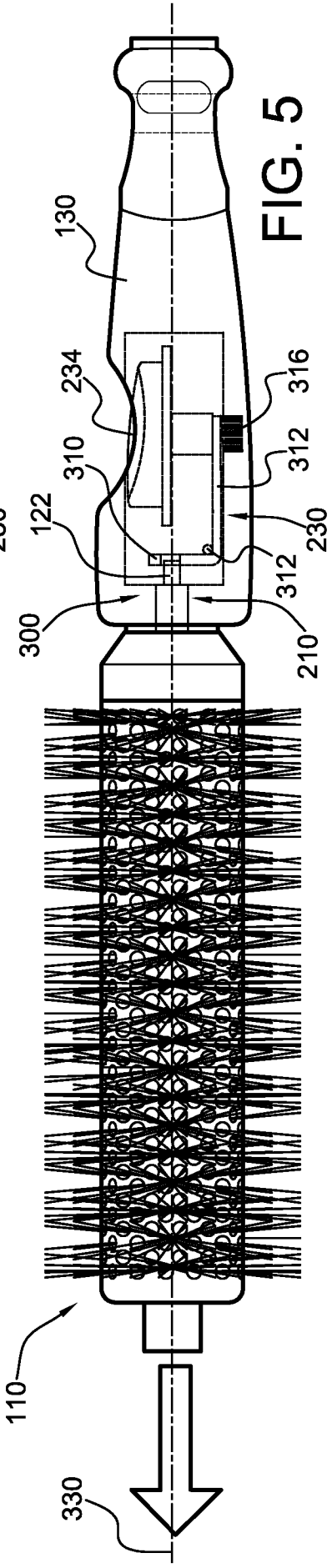
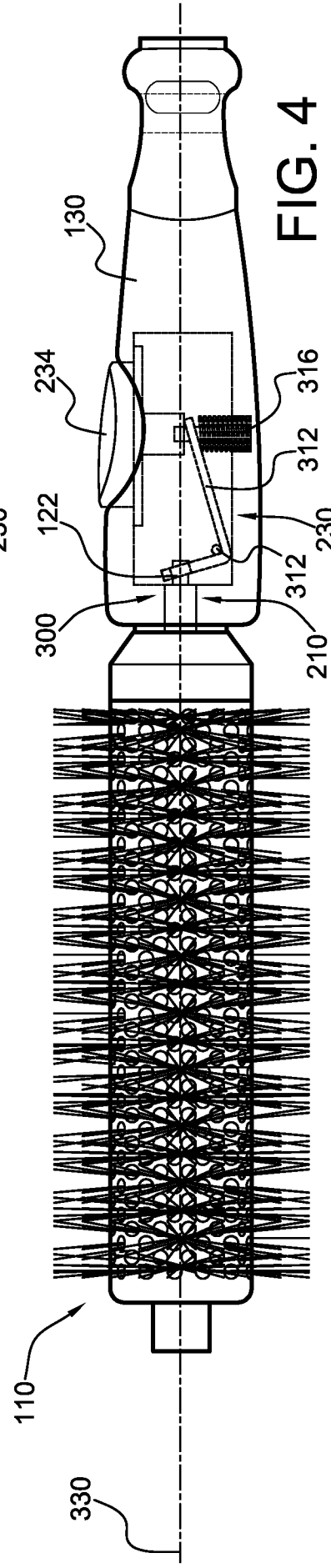
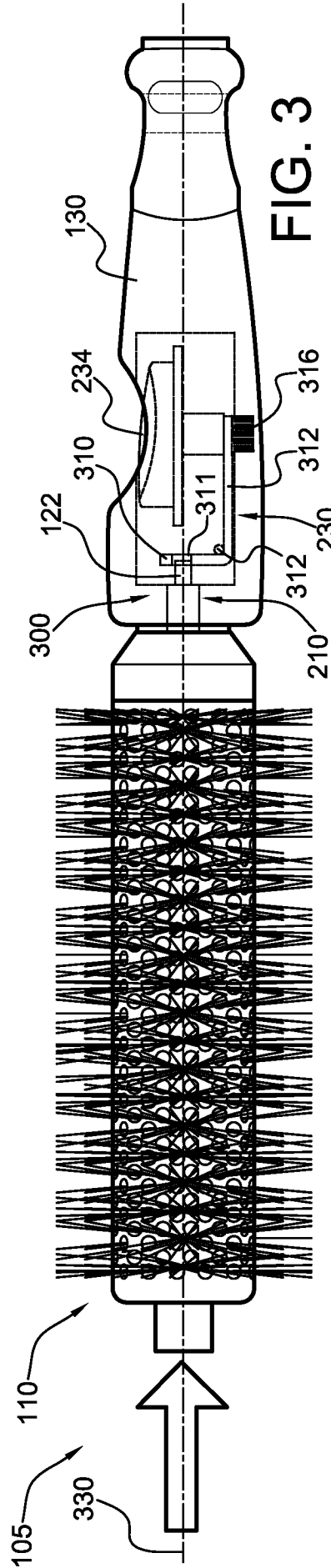


FIG. 1

FIG. 2



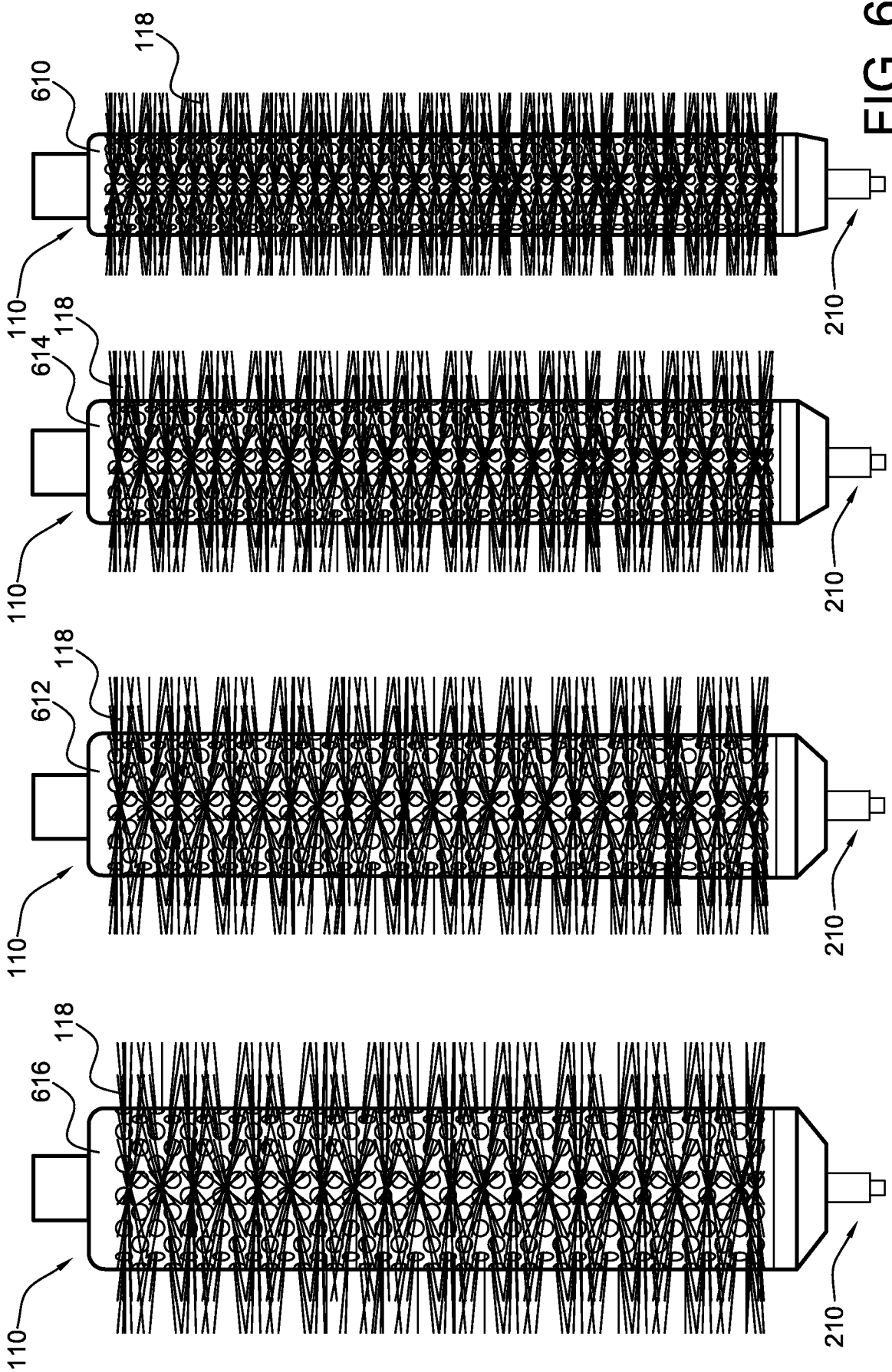


FIG. 6

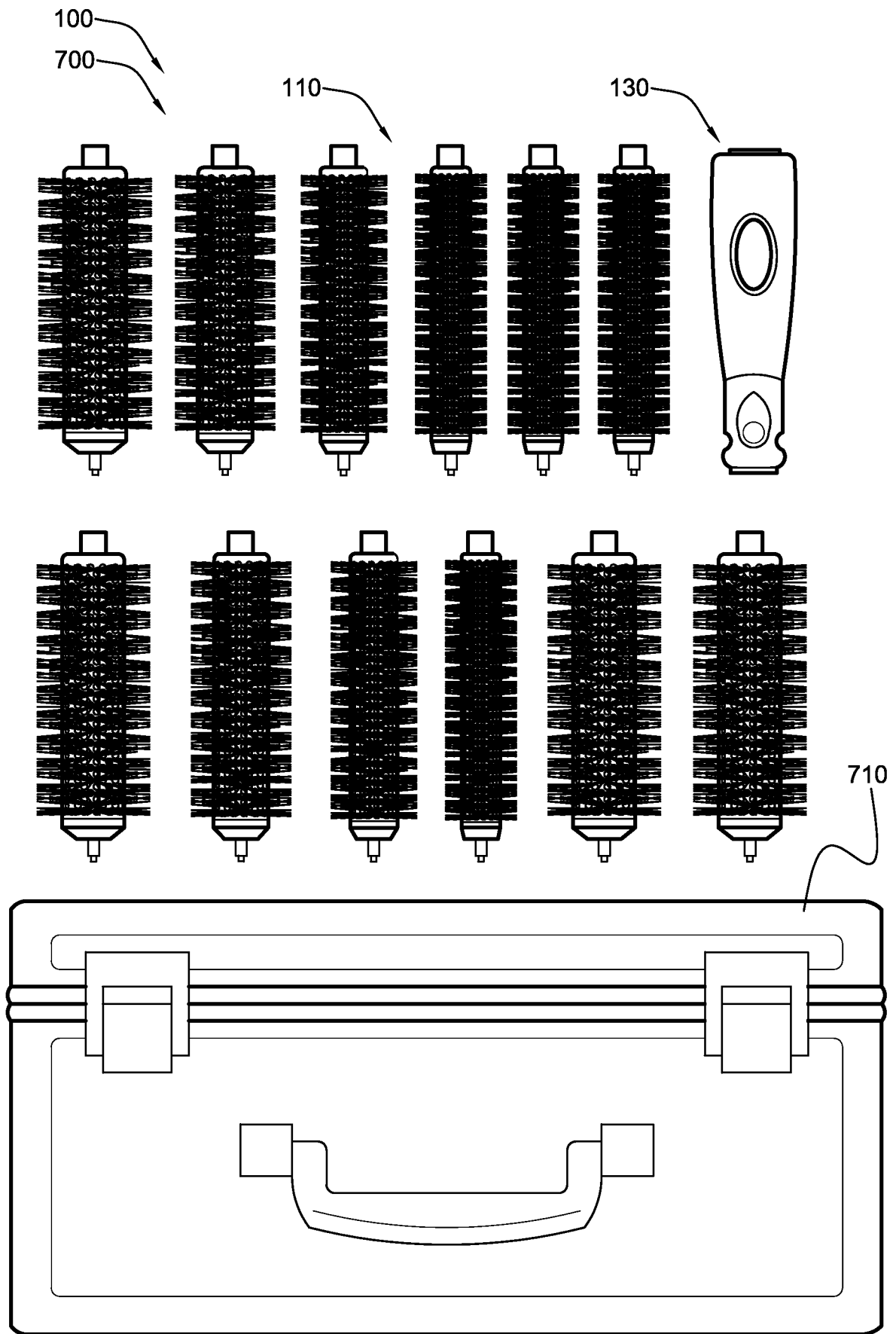


FIG. 7

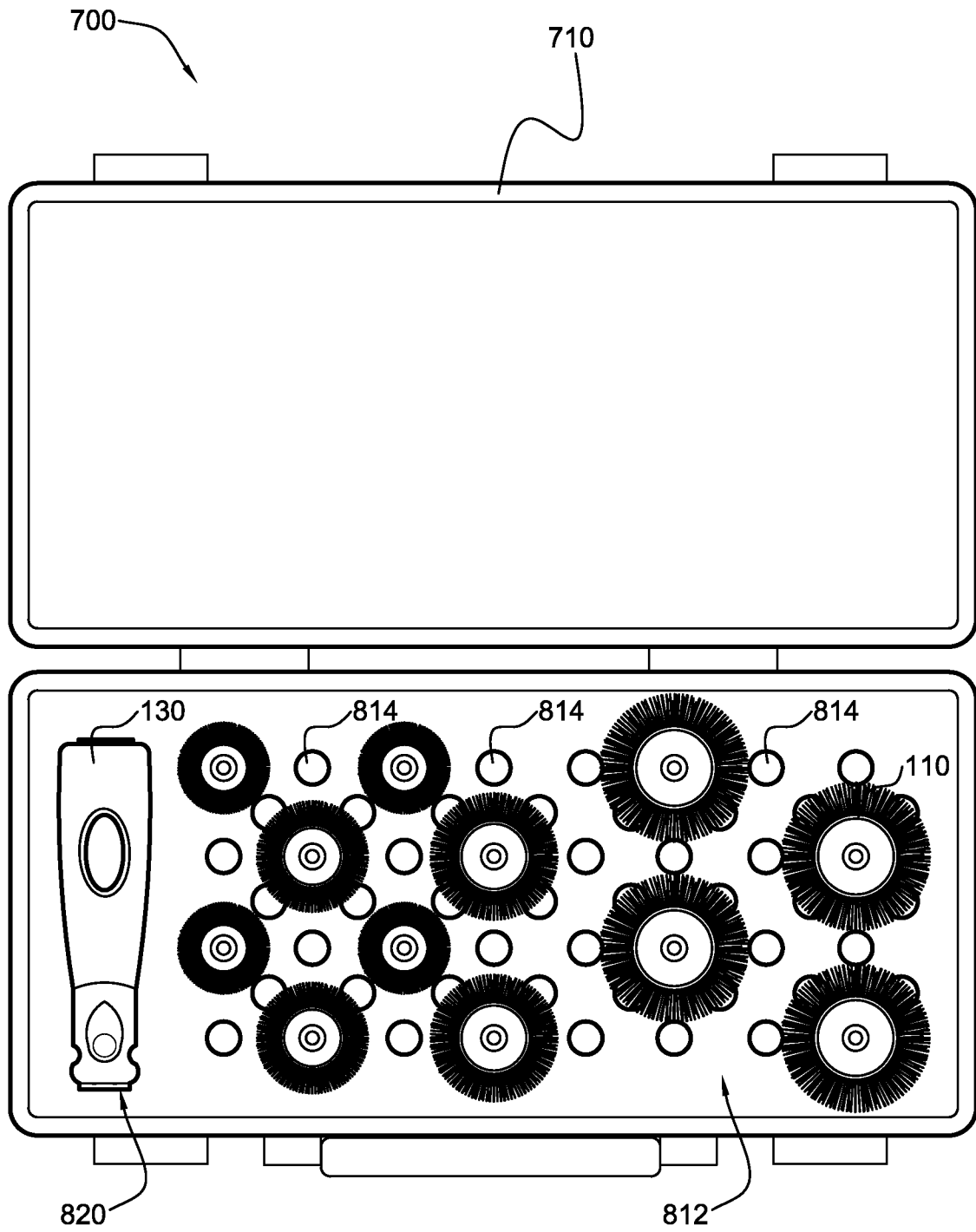


FIG. 8

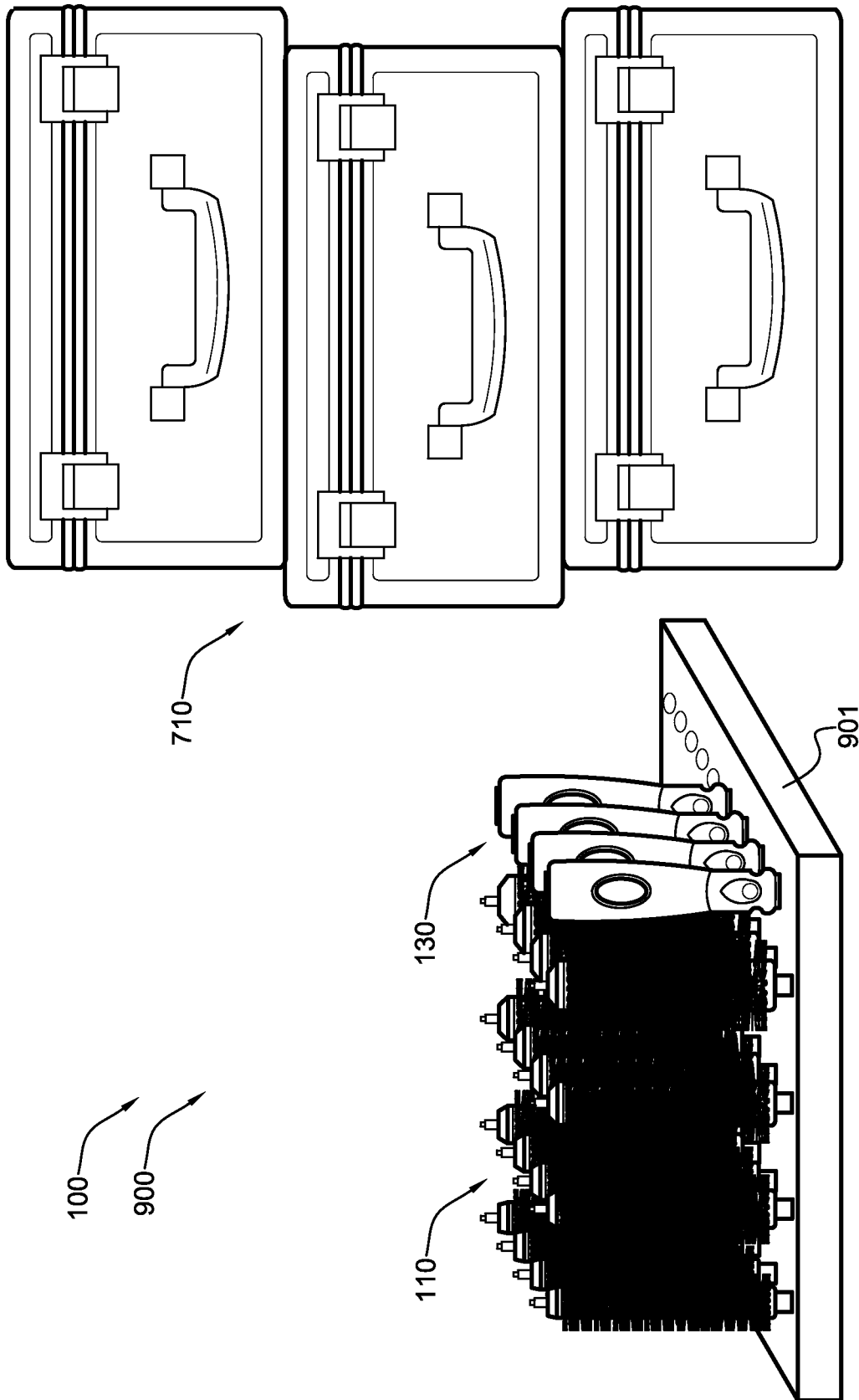


FIG. 9

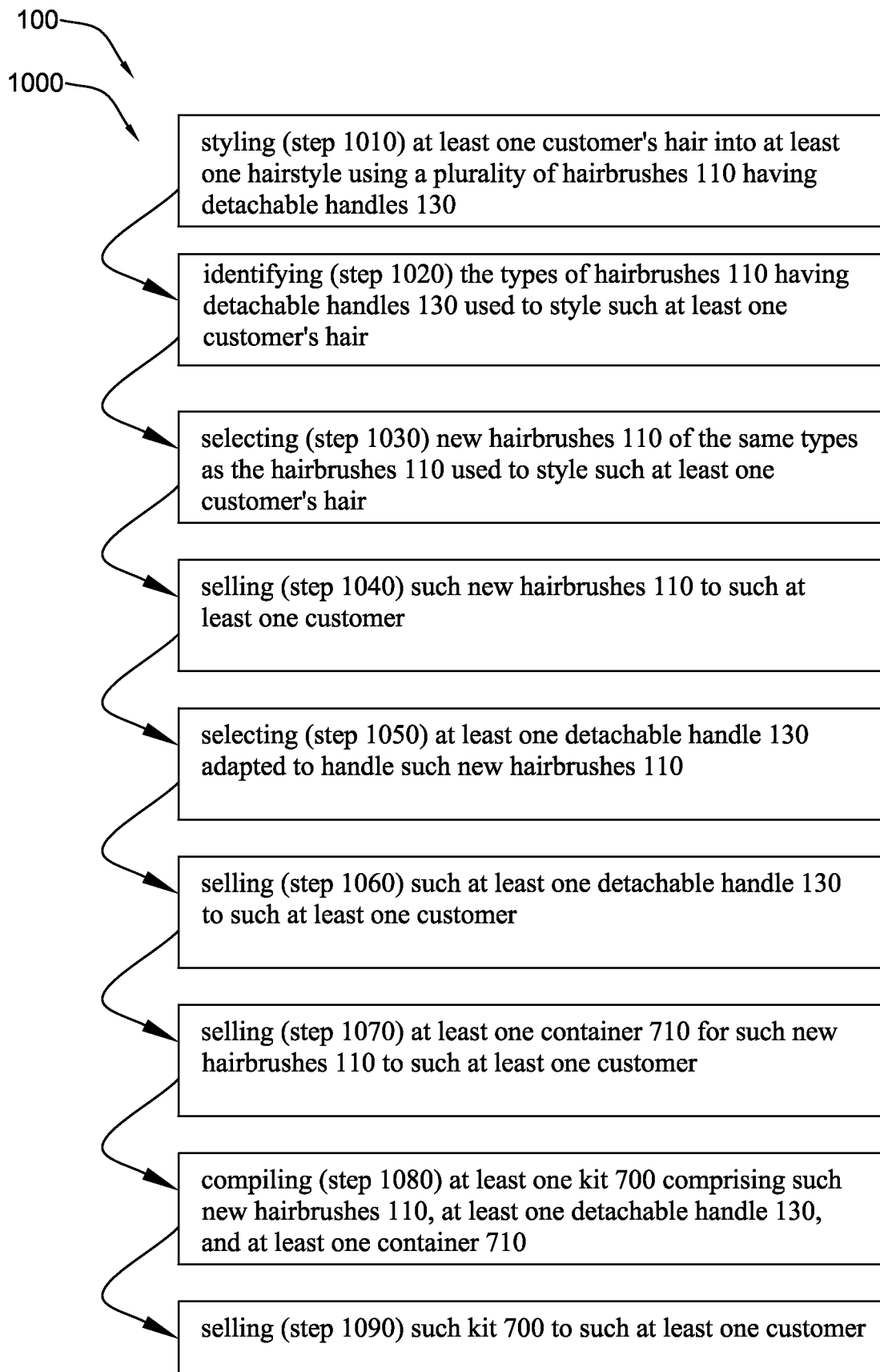


FIG. 10

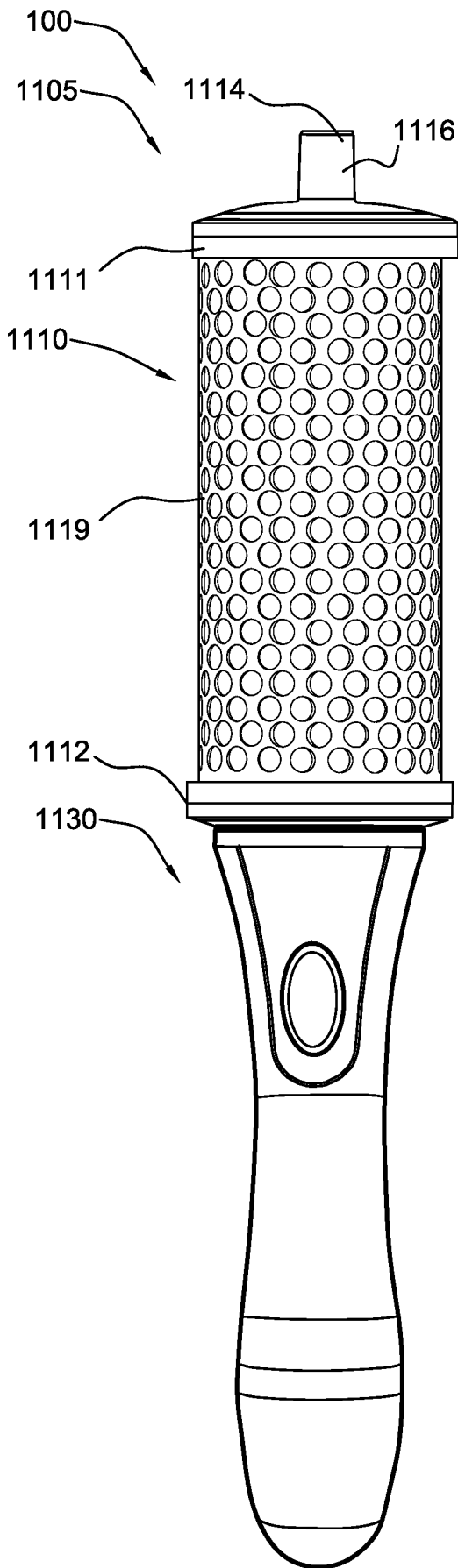


FIG. 11

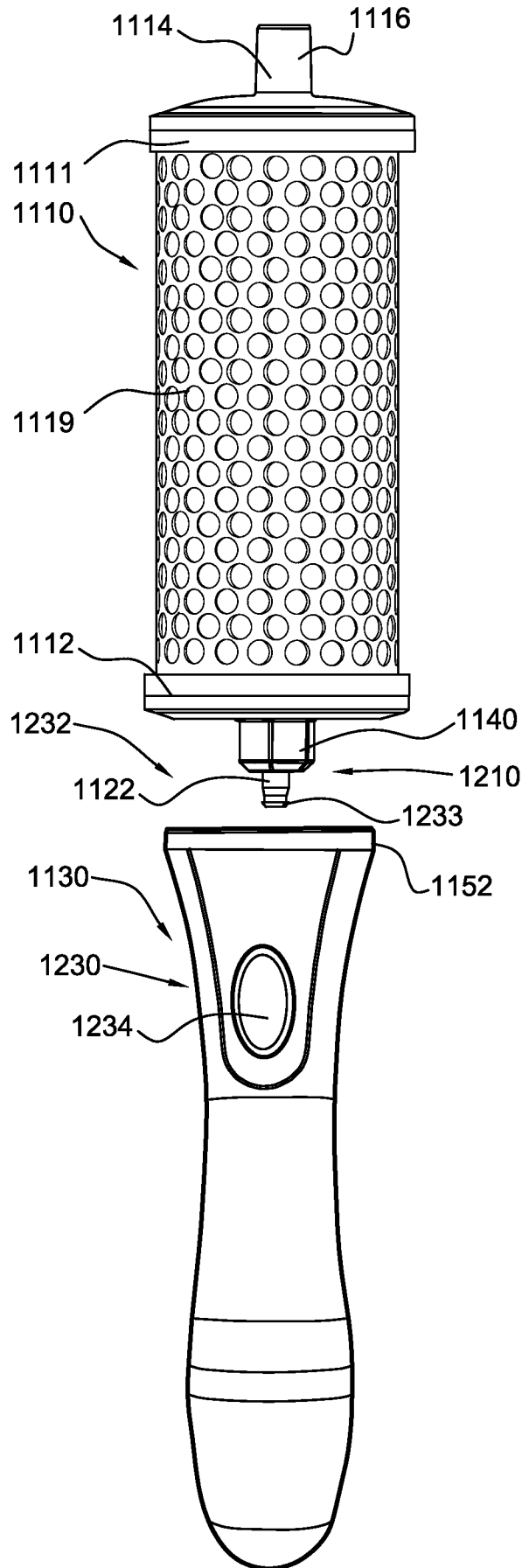


FIG. 12

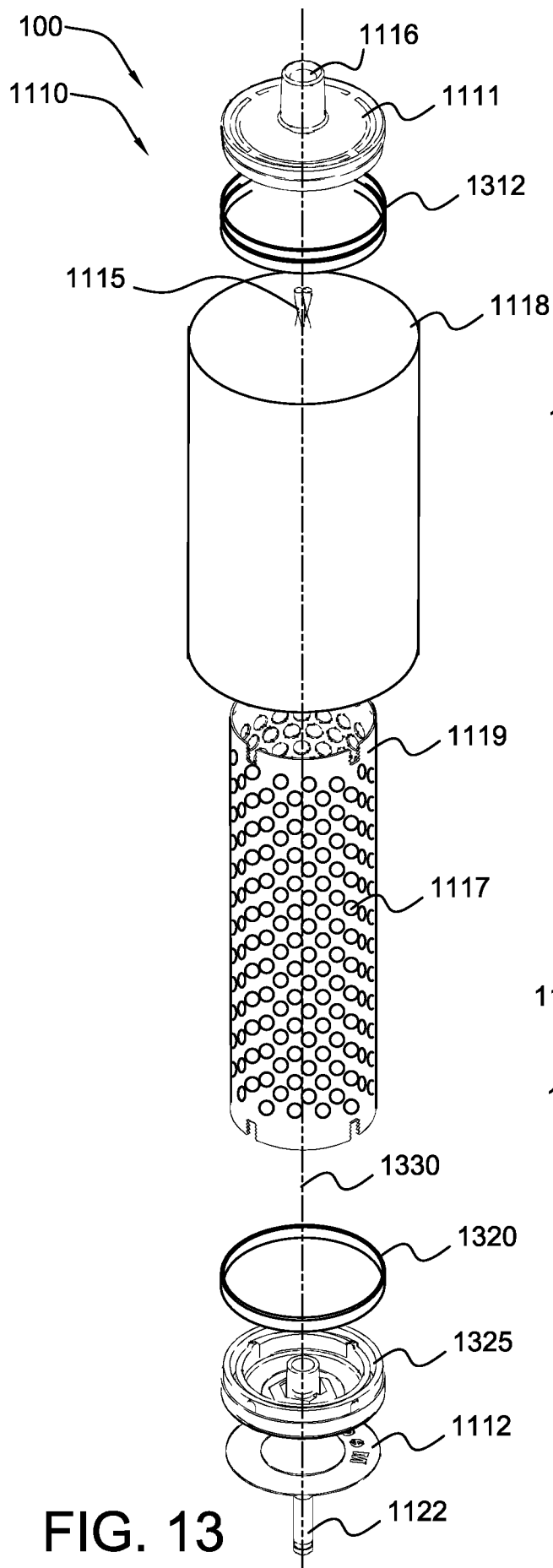


FIG. 13

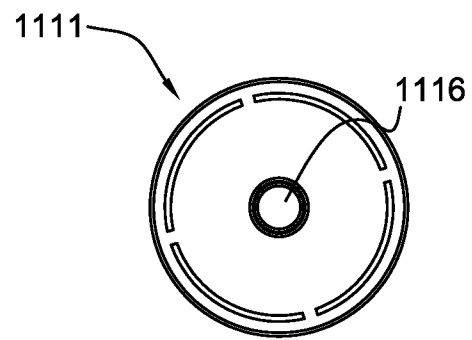


FIG. 14

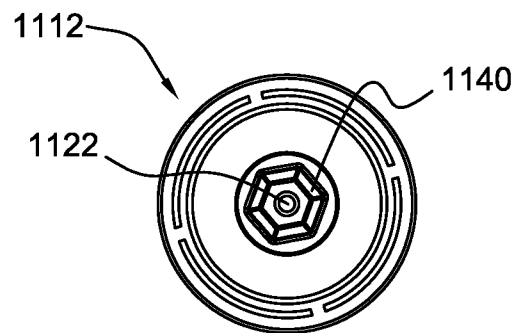


FIG. 15

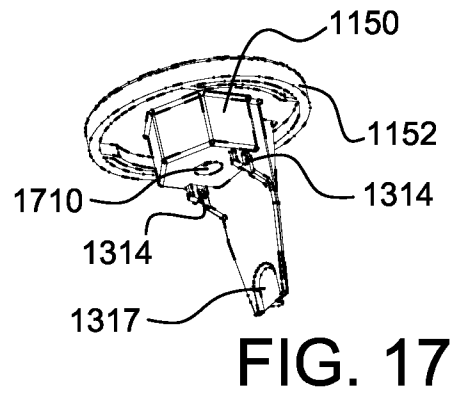
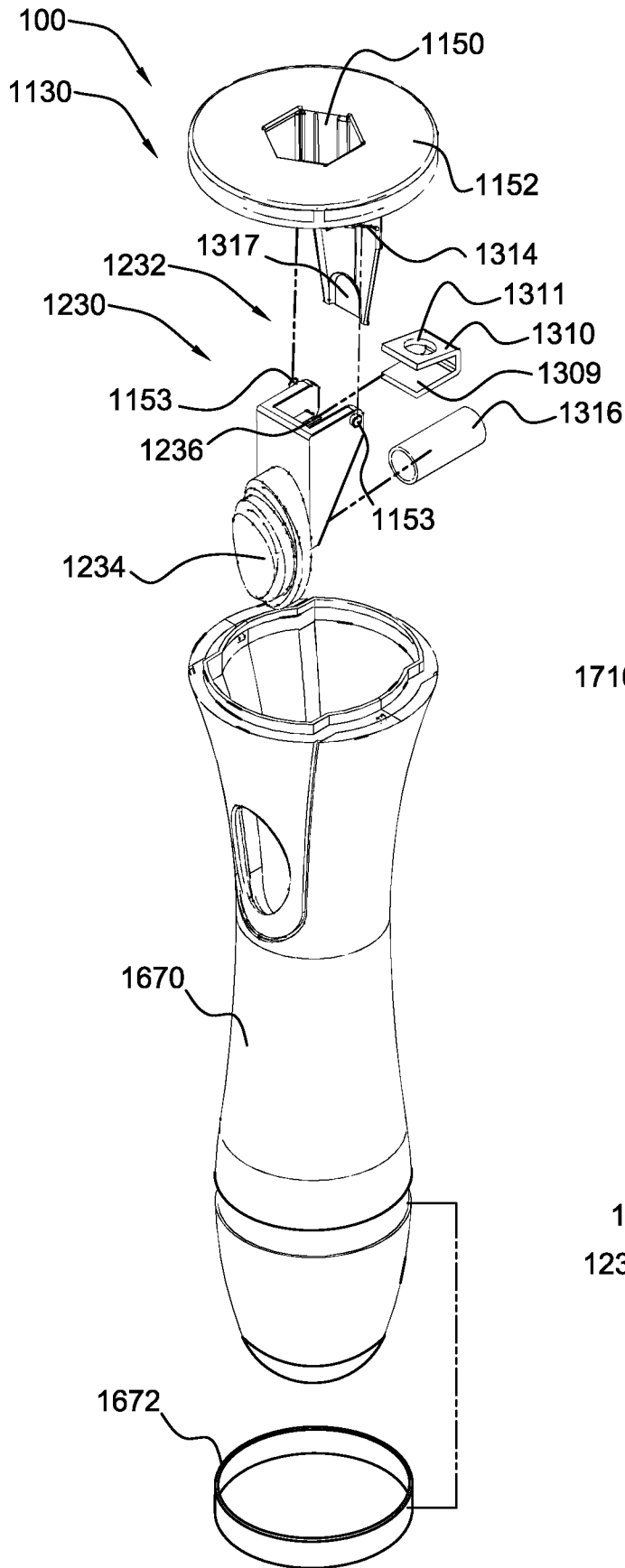


FIG. 17

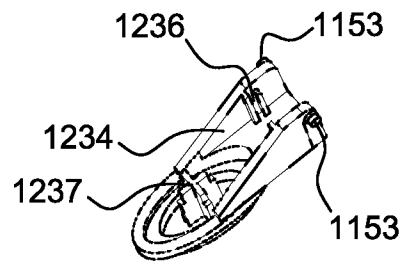


FIG. 18

FIG. 16

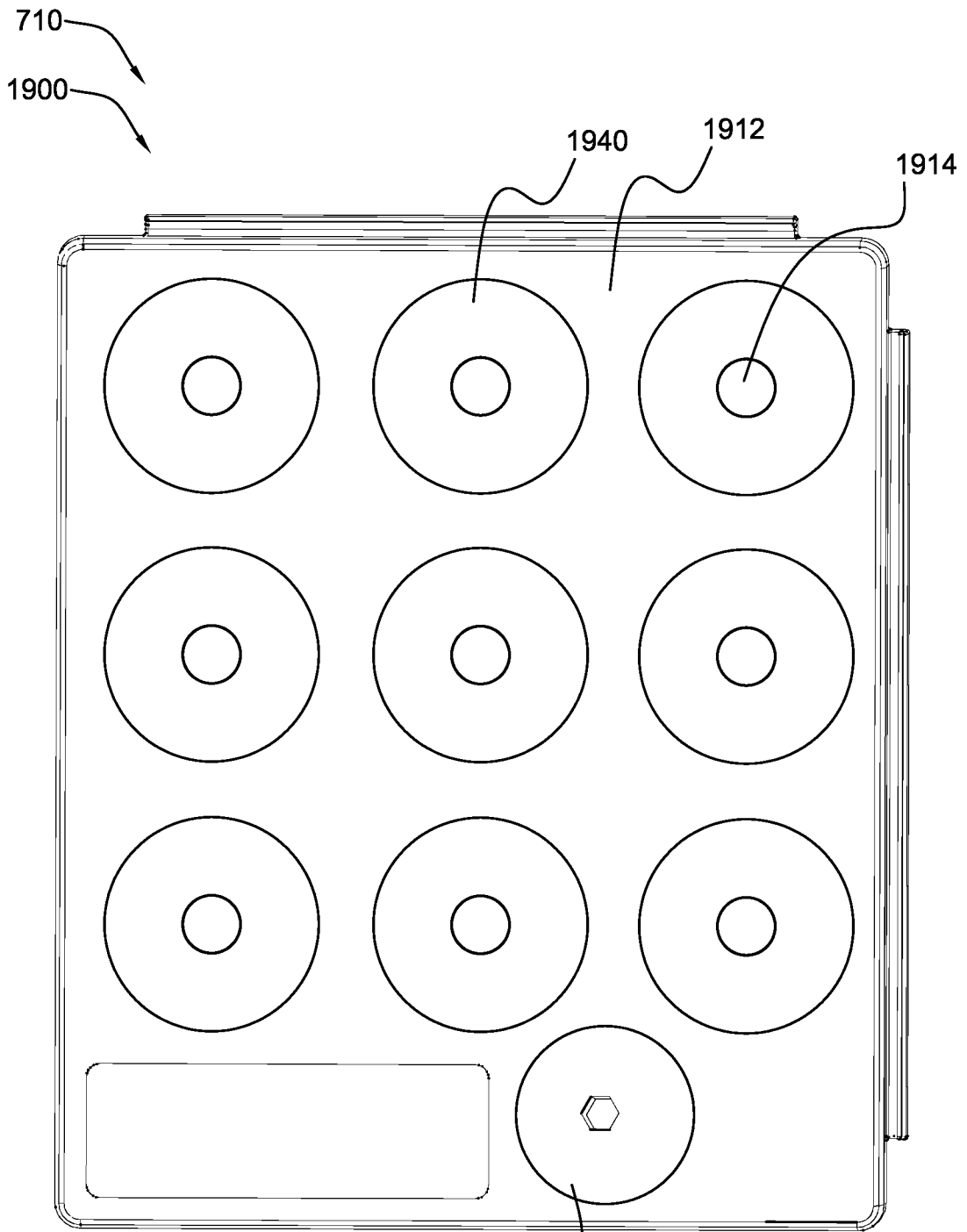


FIG. 19

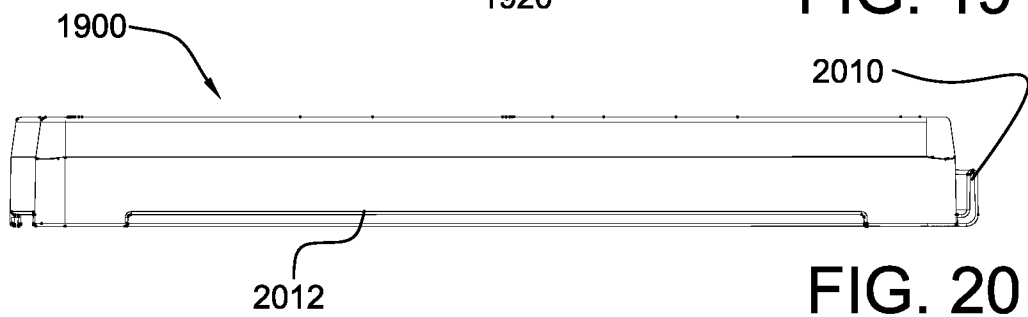


FIG. 20

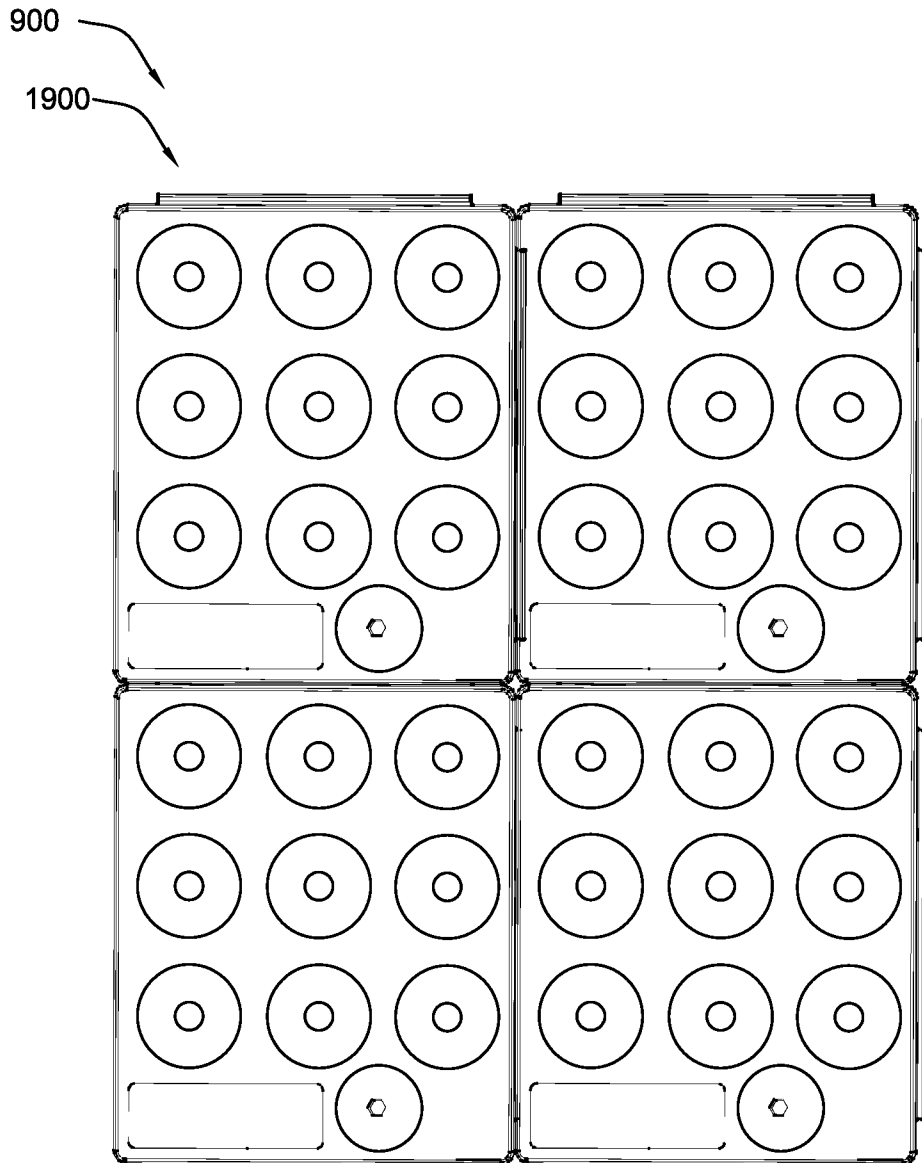


FIG. 21

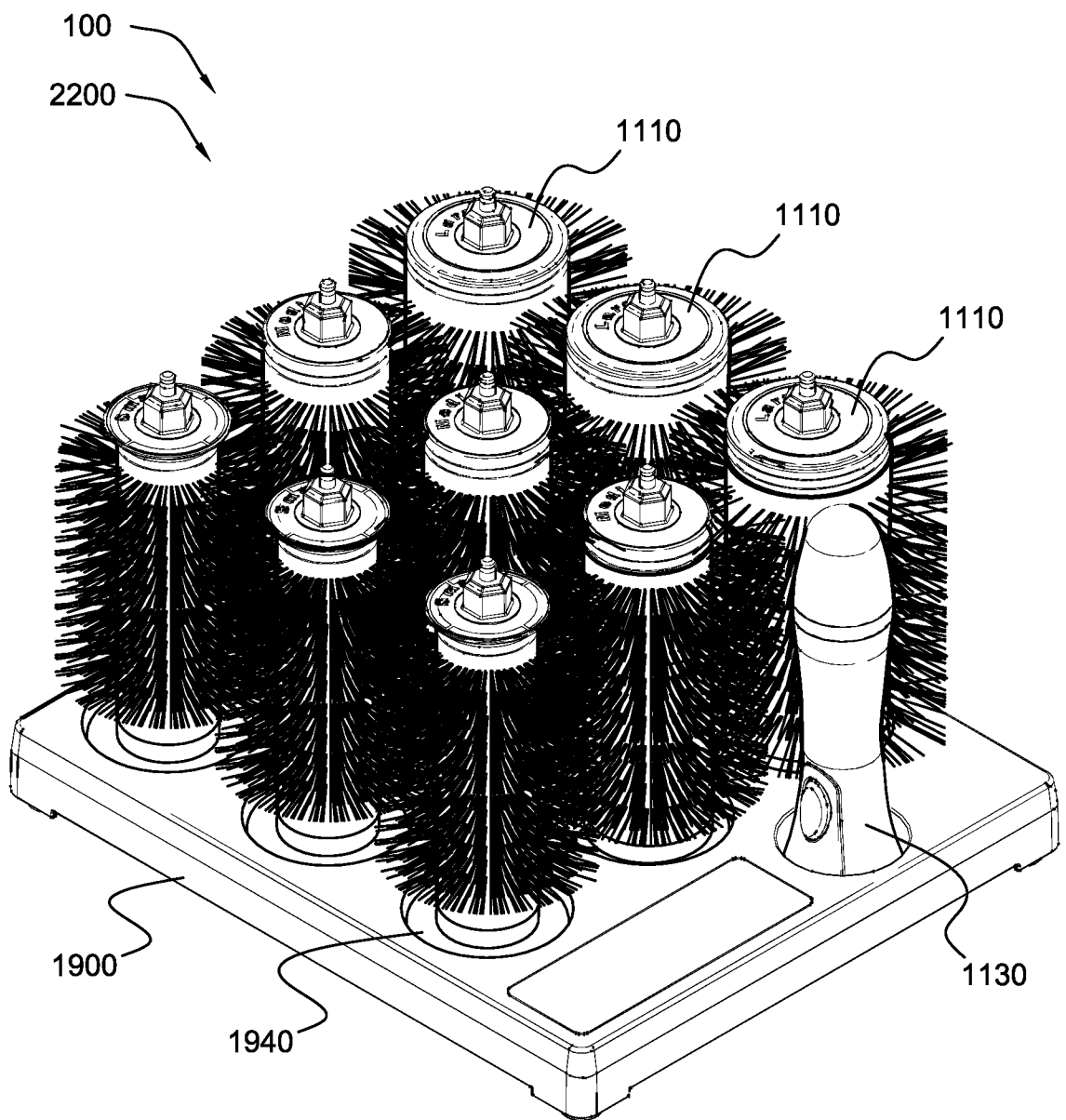


FIG. 22

INTERNATIONAL SEARCH REPORT

International application No.
PCT/US2008/060266**A. CLASSIFICATION OF SUBJECT MATTER****A46B 5/00(2006.01)i**

According to International Patent Classification (IPC) or to both national classification and IPC

B. FIELDS SEARCHED

Minimum documentation searched (classification system followed by classification symbols)

IPC 8 A45D A46B

Documentation searched other than minimum documentation to the extent that such documents are included in the fields searched

Korean Utility models and applications for Utility models since 1975
Japanese Utility models and application for Utility models since 1975

Electronic data base consulted during the international search (name of data base and, where practicable, search terms used)

eKIPASS(KIPO internal)

C. DOCUMENTS CONSIDERED TO BE RELEVANT

Category*	Citation of document, with indication, where appropriate, of the relevant passages	Relevant to claim No.
X ----- Y	US 7,296,580 B1 (SBARDELLA, DONNA) 20 November 2007 See figures 1-8 and column 6, line 42-column 8, line 42.	1-3, 5-10, 12, 13, 15, 17-23, 25 ----- 14, 16, 24, 31, 32
X ----- Y	KR 20-0166280 Y1 (YUN, YOUNG JAE) 15 January 2000 See claims 1-3 and figures 1-5.	1-4, 9 ----- 14
X	GB 2,172,201 A (BERNING, BERNARD) 17 September 1986 See figure and lines 66-86.	1, 9
Y	KR 20-1979-0001882 Y1(KIM, B. T.) 02 November 1979 See figures 1-4.	16, 24, 31, 32

 Further documents are listed in the continuation of Box C. See patent family annex.

* Special categories of cited documents:

"A" document defining the general state of the art which is not considered to be of particular relevance

"E" earlier application or patent but published on or after the international filing date

"L" document which may throw doubts on priority claim(s) or which is cited to establish the publication date of citation or other special reason (as specified)

"O" document referring to an oral disclosure, use, exhibition or other means

"P" document published prior to the international filing date but later than the priority date claimed

"T" later document published after the international filing date or priority date and not in conflict with the application but cited to understand the principle or theory underlying the invention

"X" document of particular relevance; the claimed invention cannot be considered novel or cannot be considered to involve an inventive step when the document is taken alone

"Y" document of particular relevance; the claimed invention cannot be considered to involve an inventive step when the document is combined with one or more other such documents, such combination being obvious to a person skilled in the art

"&" document member of the same patent family

Date of the actual completion of the international search

23 JUNE 2008 (23.06.2008)

Date of mailing of the international search report

23 JUNE 2008 (23.06.2008)

Name and mailing address of the ISA/KR

Korean Intellectual Property Office
Government Complex-Daejeon, 139 Seonsa-ro, Seo-
gu, Daejeon 302-701, Republic of Korea

Facsimile No. 82-42-472-7140

Authorized officer

LEE, Won Jae

Telephone No. 82-42-481-5620



INTERNATIONAL SEARCH REPORT

Information on patent family members

International application No.

PCT/US2008/060266

Patent document cited in search report	Publication date	Patent family member(s)	Publication date
US 7,296,580 B1	20.11.2007	US 7,296,580 BA	20.11.2007
KR 20-0166280 Y1	15.01.2000	KR 20-1999-0016556 U	25.05.1999
GB 2,172,201 A	17.09.1986	FR 2578407 A1 GB 8605851D	12.09.1986 14.04.1986
KR 20-1979-0001882 Y1	02.11.1979	KR 20-7901882 U	02.11.1979