

(19) World Intellectual Property Organization  
International Bureau



(43) International Publication Date  
11 August 2011 (11.08.2011)

(10) International Publication Number  
**WO 2011/097629 A2**

- (51) International Patent Classification:  
A43B 3/12 (2006.01) A43B 3/30 (2006.01)
- (21) International Application Number:  
PCT/US2011/024057
- (22) International Filing Date:  
8 February 2011 (08.02.2011)
- (25) Filing Language: English
- (26) Publication Language: English
- (30) Priority Data:  
61/302,265 8 February 2010 (08.02.2010) US  
61/326,575 21 April 2010 (21.04.2010) US
- (72) Inventor; and
- (71) Applicant : MATESAN, Lavinia, Anca [US/US]; 4921  
W. Monte Cristo Avenue, Glendale, AZ 85306 (US).
- (74) Agent: STONEMAN, Martin, L.; Stoneman Law Patent  
Group, P.O. Box 40070, Phoenix, AZ 85067 (US).

- (81) Designated States (unless otherwise indicated, for every kind of national protection available): AE, AG, AL, AM, AO, AT, AU, AZ, BA, BB, BG, BH, BR, BW, BY, BZ, CA, CH, CL, CN, CO, CR, CU, CZ, DE, DK, DM, DO, DZ, EC, EE, EG, ES, FI, GB, GD, GE, GH, GM, GT, HN, HR, HU, ID, IL, IN, IS, JP, KE, KG, KM, KN, KP, KR, KZ, LA, LC, LK, LR, LS, LT, LU, LY, MA, MD, ME, MG, MK, MN, MW, MX, MY, MZ, NA, NG, NI, NO, NZ, OM, PE, PG, PH, PL, PT, RO, RS, RU, SC, SD, SE, SG, SK, SL, SM, ST, SV, SY, TH, TJ, TM, TN, TR, TT, TZ, UA, UG, US, UZ, VC, VN, ZA, ZM, ZW.
- (84) Designated States (unless otherwise indicated, for every kind of regional protection available): ARIPO (BW, GH, GM, KE, LR, LS, MW, MZ, NA, SD, SL, SZ, TZ, UG, ZM, ZW), Eurasian (AM, AZ, BY, KG, KZ, MD, RU, TJ, TM), European (AL, AT, BE, BG, CH, CY, CZ, DE, DK, EE, ES, FI, FR, GB, GR, HR, HU, IE, IS, IT, LT, LU, LV, MC, MK, MT, NL, NO, PL, PT, RO, RS, SE, SI, SK, SM, TR), OAPI (BF, BJ, CF, CG, CI, CM, GA, GN, GQ, GW, ML, MR, NE, SN, TD, TG).

Declarations under Rule 4.17:

[Continued on next page]

(54) Title: FOOTWEAR SYSTEMS

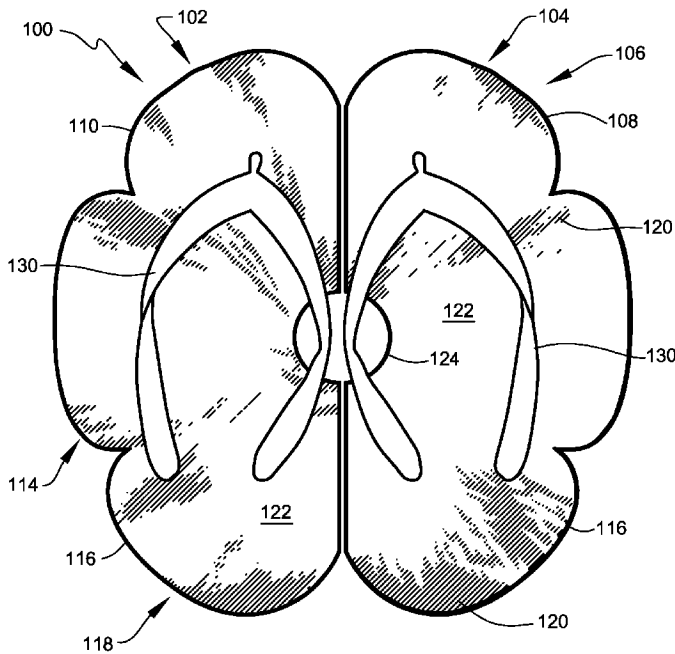


FIG. 1

(57) Abstract: Footwear systems, particularly sandals, wherein footwear portions for each foot when placed together are disguised and do not initially appear to be footwear. Such footwear may be utilized to encourage adjoining footwear storage by children and may also be used as toys when not utilized as footwear. The articles of footwear may resemble a tree, a palm tree, a light bulb, fish, an umbrella, a chess piece/chess pieces, a vehicle, a cloud, a cactus, a piece of fruit, a volleyball, a basketball, a baseball, a softball, a tennis ball, a golf ball, etc. Other designs include a lightning bolt, a star, a sea horse herds, a spoon and fork, flowers, a ladybug, birds, etc.

WO 2011/097629 A2

— *of inventorship (Rule 4.17(iv))*

**Published:**

— *without international search report and to be republished upon receipt of that report (Rule 48.2(g))*

**FOOTWEAR SYSTEMS**

## BACKGROUND

This invention relates to footwear systems. More particularly, this invention relates to footwear systems wherein  
5 footwear portions for each foot when placed together do not initially appear to be footwear.

Footwear is most often stored on the floor and has for many decades existed as an easily recognizable 'pair of shoes' when  
10 the left foot shoe and the right foot shoe of a pair of shoes are placed adjoining each other. For example, when a typical pair of shoes are placed adjoining each other, they appear as a typical looking shoe pair, such as, for example a brown pair of penny-loafers or a black pair of sandals.

Children have a tendency to throw their shoes in a pile and  
15 a footwear system that would encourage children to put their shoes away in an organized manner would be useful. Even further, a pair of shoes that could be used as a toy and garner interests other than footwear would be useful.

## OBJECTS AND FEATURES OF THE INVENTION

20 A primary object and feature of the present invention is to provide systems meeting the above-mentioned needs and solving the above-mentioned problem(s).

It is a further object and feature of the present invention to provide such a system wherein the left and right portions of  
25 a pair of footwear together comprise at least a perimeter that assists disguising such shoes as footwear.

It is a further object and feature of the present invention to provide such a system wherein the left and right portions of a pair of footwear may be distinguished and identified so as to  
30 prevent wearing the left shoe portion of the pair on the right foot and vice versa.

It is an additional object and feature of the present invention to create a pleasing effect to the user when either wearing or storing the footwear articles described herein.

A further primary object and feature of the present invention is to provide such a system that is efficient, inexpensive, and handy. Other objects and features of this invention will become apparent with reference to the following descriptions.

#### SUMMARY OF THE INVENTION

10 In accordance with a preferred embodiment hereof, this invention provides a footwear system, relating to at least one pair of shoes wearable by at least one person, comprising: at least one right shoe part structured and arranged to provide a right shoe part of a pair of shoes; and at least one left shoe  
15 part structured and arranged to provide a left shoe part of a pair of shoes; wherein such at least one right shoe part and such at least one left shoe part together comprise, at least one perimeter shape structured and arranged to provide, when arranged side by side, a single perimeter shape, within such  
20 single perimeter shape, at least one design field structured and arranged to provide at least one design field element; and wherein such at least one design field together with such single perimeter shape together comprise at least one disguiser structured and arranged to disguise the pair of shoes.

25 Moreover, it provides such a system wherein the at least one pair of shoes comprises at least one pair of sandals. Additionally, it provides such a system wherein such at least one pair of sandals comprises at least one pair of thong sandals. Also, it provides such a system wherein such at least  
30 one design field together with such single perimeter shape together comprise at least one animal representation. In addition, it provides such a system wherein such at least one design field together with such single perimeter shape together comprise at least one plant representation. And, it provides

such a system wherein such at least one design field together with such single perimeter shape together comprise at least one Logo representation.

Further, it provides such a system wherein such at least  
5 one design field together with such single perimeter shape together comprise at least one artistic representation. Even further, it provides such a system wherein such at least one design field together with such single perimeter shape together  
10 comprise at least one indicia representation. Moreover, it provides such a system wherein such at least one design field together with such single perimeter shape together comprise at least one toy representation.

In accordance with another preferred embodiment hereof, this invention provides a footwear system, relating to at least  
15 one pair of shoes wearable by at least one person, comprising: at least one right shoe part structured and arranged to provide a right shoe part of a pair of shoes; and at least one left shoe part structured and arranged to provide a left shoe part of a pair of shoes; wherein such at least one right shoe part and  
20 such at least one left shoe part together comprise, at least one perimeter shape structured and arranged to provide, when arranged adjoining, a single perimeter shape, within such single perimeter shape, at least one design field structured and arranged to provide at least one design field element; and  
25 wherein such at least one design field together with such single perimeter shape together comprise at least one disguiser structured and arranged to disguise the pair of shoes. Additionally, it provides such a system wherein the at least one pair of shoes comprises at least one pair of sandals.

30 Also, it provides such a system wherein such at least one pair of sandals comprises at least one pair of thong sandals. In addition, it provides such a system wherein such at least one design field together with such single perimeter shape together comprise at least one animal representation. And, it provides

such a system wherein such at least one design field together with such single perimeter shape together comprise at least one plant representation. Further, it provides such a system wherein such at least one design field together with such single  
5 perimeter shape together comprise at least one Logo representation.

Even further, it provides such a system wherein such at least one design field together with such single perimeter shape together comprise at least one artistic representation. Even  
10 further, it provides such a system wherein such at least one design field together with such single perimeter shape together comprise at least one indicia representation. Even further, it provides such a system further comprising a display mat structured and arranged to hold and display the at least one  
15 pair of shoes. Even further, it provides such a system wherein such display mat comprises at least one removable keychain holder portion.

In accordance with another preferred embodiment hereof, this invention provides a footwear system, relating to at least  
20 one pair of shoes wearable by at least one person, comprising: right shoe part means for providing a right shoe part of a pair of shoes; and left shoe part means for providing a left shoe part of a pair of shoes; wherein such right shoe part means and such left shoe part means together comprise, perimeter shape  
25 means for providing, when arranged adjoining, a single perimeter shape, within such single perimeter shape means, at least one design field means for providing at least one design field element; and wherein such at least one design field means together with such perimeter shape means together comprise  
30 disguiser means for disguising the pair of shoes.

In accordance with another preferred embodiment hereof, this invention provides each and every novel feature, element, combination, step and/or method disclosed or suggested by this patent application.

## BRIEF DESCRIPTION OF THE DRAWINGS

FIG. 1 shows a top view, illustrating a shoe pair of the footwear system disguised as a flower, according to a preferred embodiment of the present invention.

5 FIG. 2 shows a front view, illustrating the shoe pair, according to the preferred embodiment of FIG. 1.

FIG. 3 shows a top view, illustrating separated shoe portions of the shoe pair of the footwear system disguised as a flower, according to a preferred embodiment of FIG. 1.

10 FIG. 4 shows a top view, illustrating a shoe pair of the footwear system disguised as a sports ball, according to another preferred embodiment of the present invention.

FIG. 5 shows a top view, illustrating a shoe pair of the footwear system disguised as a pair of palm trees, according to  
15 a preferred embodiment of the present invention.

FIG. 6 shows a top view, illustrating a shoe pair of the footwear system disguised as a ladybug, according to a preferred embodiment of the present invention.

FIG. 7 shows a top view, illustrating a shoe pair  
20 representation of the footwear system disguised as a Logo, according to a preferred embodiment of the present invention.

FIG. 8 shows a top view, illustrating a display mat of the footwear system, according to another preferred embodiment of the present invention.

25 DETAILED DESCRIPTION OF THE BEST MODES

## AND PREFERRED EMBODIMENTS OF THE INVENTION

FIG. 1 shows a top view, illustrating at least one shoe pair **102** of footwear system **100** disguised as at least one flower **104**, according to a preferred embodiment of the present  
30 invention. FIG. 2 shows a front view, illustrating shoe pair **102**, according to the preferred embodiment of FIG. 1. FIG. 3 shows a top view, illustrating separated shoe portions of shoe pair **102** of footwear system **100** disguised as flower **104**, according to a preferred embodiment of FIG. 1.

Footwear systems **100** preferably comprises at least one shoe pair **102**, preferably comprising at least one right shoe **108** (at least embodying herein right shoe part means for providing a right shoe part of a pair of shoes; and, at least embodying  
5 herein at least one right shoe part structured and arranged to provide a right shoe part of a pair of shoes) and at least one left shoe **110** (at least embodying herein left shoe part means for providing a left shoe part of a pair of shoes; and, at least embodying herein at least one left shoe part structured and  
10 arranged to provide a left shoe part of a pair of shoes), as shown. According to a preferred embodiment of the present invention, right shoe **108** preferably comprises an entire right shoe and left shoe **110** preferably comprises an entire left shoe, as shown. Upon reading this specification, those with ordinary  
15 skill in the art will now appreciate that, under appropriate circumstances, considering such issues as design preference, user preferences, marketing preferences, cost, structural requirements, available materials, technological advances, etc., other shoe arrangements such as, for example, left shoe and/or  
20 right shoe may comprise more than one portion, multiple accessory portions, etc., may suffice.

Shoe pair **102** preferably comprises at least one arrangement comprising at least at least one perimeter **114** (at least herein embodying wherein such right shoe part means and such left shoe  
25 part means together comprise perimeter shape means for providing, when arranged adjoining, a single perimeter shape; and, at least herein embodying wherein such at least one right shoe part and such at least one left shoe part together comprise at least one perimeter shape structured and arranged to provide,  
30 when arranged side by side, a single perimeter shape), preferably comprising at least one perimeter outline of at least one preferred disguiser element **116** to preferably disguise shoe pair **102** as an object other than footwear. For example, when left shoe **110** and right shoe **108** are placed in a side by side

position, shoe pair **102** is disguised as a flower **104**, as shown (this arrangement at least herein embodies wherein such right shoe part means and such left shoe part means together comprise within such single perimeter shape means, at least one design field means for providing at least one design field; and, at least herein embodying wherein such at least one right shoe part and such at least one left shoe part together comprise within such single perimeter shape, at least one design field structured and arranged to provide at least one design field).

5 In addition to having a perimeter arrangement, shoe pair **102** also preferably comprises disguiser elements **118** (at least herein embodying wherein such at least one design field means together with such perimeter shape means together comprise disguiser means for disguising the pair of shoes; and, at least

10 15 embodying herein within such single perimeter shape, at least one design field structured and arranged to provide at least one design field) including indicia **120**, coloring **122**, and other physical features, such as center flower portion **124**, to preferably assist disguising shoe pair **102** as, for example,

20 flower **104**, as shown in FIG. 1.

In FIG. 1, footwear system **100** is embodied as a pair of sandals **106** (which may also be referred to as "flip flops" or "thongs"). A front view of sandals **106** are shown in FIG. 2 depicting right shoe **108** and left shoe **110** of such sandals **106** preferably forming flower **104** when placed adjoining/side-by-side, as shown in FIG. 1.

25

At least one strap **130** preferably is connected to at least one ground-striking portion **132** of sandals **106** and preferably are structured and arranged to support a foot against such footwear when in use/worn. Those with ordinary skill in the art will now appreciate that upon reading this specification and by their understanding the art of sandal/shoe attachment as described herein, methods of connecting to a ground-striking portion of sandals to support a foot against such footwear when

30

in use/worn will be understood by those knowledgeable in such art.

While sandals **106** are the preferred illustrated embodiment(s), upon reading this specification, those with  
5 ordinary skill in the art will now appreciate that, under appropriate circumstances, considering such issues as design preference, user preferences, marketing preferences, cost, structural requirements, available materials, technological advances, etc., other footwear such as, for example, shoes, high  
10 heels, boots, clogs, athletic shoes, slippers, socks, etc., may suffice. Additional disguiser elements **118** and disguised footwear are further described herein.

Additionally, a front elevation view is shown in FIG. 2 illustrating that ground striking portion **132** of sandals **106**  
15 comprise a thickness which may vary according to the plethora of available designs, uses, and intended market audience. As discussed above, straps **130** of sandals **106** may be attached in a number of ways, preferably to assist the disguising of the footwear. Preferably, the footwear systems discussed herein are  
20 available in a range of sizes to accommodate typical foot sizes of potential users. It is noted that if the footwear articles were accidentally placed on the wrong feet, the object depicted by the shoe construction would be "disrupted" and the user would be alerted that the footwear articles are (or are about to be  
25 placed) on the wrong feet. It is also noted that the concepts discussed herein preferably provide a pleasing effect for storage and wearing of the footwear articles as they appear to depict, in FIG. 1, flower **104**. FIG. 1 also shows that the structure of the footwear system has "outgrowths" that  
30 preferably assist in defining the shape of the object depicted thereon. Further, it is noted that the footwear, as disguised, may be preferably utilized as a toy to be played with or for a child's imagination 'play' (this arrangement at least herein embodying wherein such at least one design field together with

such perimeter shape together comprise at least one toy representation). For example, shoe pairs may be designed to look like animals, plants, inanimate objects, cartoon characters, vehicles, etc., for toy play. Upon reading this specification, those with ordinary skill in the art will now appreciate that, under appropriate circumstances, considering such issues as design preference, user preferences, marketing preferences, cost, structural requirements, available materials, technological advances, etc., other toy design arrangements, such as, for example, character representations, aliens, dinosaurs, monsters, doll characters, etc., may suffice.

FIG. 4 shows a top view, illustrating shoe pair **140** of footwear systems **100** disguised as at least one sports ball **144**, according to another preferred embodiment of the present invention. Shoe pair **140** preferably comprises at least one arrangement comprising at least at least one perimeter **154**, preferably comprising at least one perimeter outline of at least one preferred disguiser element **156** to disguise shoe pair **140** as an object other than footwear. For example, when left shoe **150** and right shoe **152** are placed in an adjoining position, shoe pair **140** preferably is disguised as sports ball **144**, for example, sports ball **144** is illustrated disguised as a soccer ball, as shown.

In addition to having a perimeter arrangement, shoe pair **140** also preferably comprises other disguiser elements **156** including indicia **160**, coloring **162**, and other physical features, such as sports ball texturing **164**, to assist disguising shoe pair **140** as, for example, sports ball **144**, as shown in FIG. 4. Upon reading this specification, those with ordinary skill in the art will now appreciate that, under appropriate circumstances, considering such issues as design preference, user preferences, marketing preferences, cost, structural requirements, available materials, technological advances, etc., other sport ball arrangements such as, for

example, football, volleyball, ping pong ball, golf ball, baseball, softball, tennis ball, etc., may suffice. Further, upon reading this specification, those with ordinary skill in the art will now appreciate that, under appropriate  
5 circumstances, considering such issues as design preference, user preferences, marketing preferences, cost, structural requirements, available materials, technological advances, etc., other shape arrangements, such as, for example, sport balls comprising protruding features, sport balls comprising three  
10 dimensional features, etc., may suffice.

FIG. 5 shows a top view, illustrating at least one shoe pair **170** of footwear systems **100** disguised as a pair of palm trees **188**, according to a preferred embodiment of the present invention. Similar with the above described embodiments, shoe  
15 pair **170** preferably comprises at least one arrangement comprising at least at least one perimeter **174**, in this embodiment at least two perimeters **174** and **176**, preferably comprising at least two perimeter outlines of at least one preferred disguiser element **178** to disguise shoe pair **170** as an  
20 object other than footwear. Preferably, perimeter **174** and perimeter **176** when adjoined, are interlockable similar to for example, a puzzle, as shown.

For example, when left shoe **180** and right shoe **182** are placed in an adjoining position (which is meant herein to  
25 comprise side by side as well as other adjoining positions), shoe pair **170** preferably is disguised as a pair of palm trees **188** (at least herein embodying wherein such at least one design field together with such perimeter shape together comprise at least one plant representation), as shown.

30 In addition to having a perimeter arrangement, shoe pair **170** also preferably comprises disguiser elements **178** including indicia **192** (at least herein embodying wherein such at least one design field together with such perimeter shape together comprise at least one indicia representation), coloring **194**, and

other physical features, such as tree texturing **196**, to assist  
disguising shoe pair **170**, as shown. Upon reading this  
specification, those with ordinary skill in the art will now  
appreciate that, under appropriate circumstances, considering  
5 such issues as design preference, user preferences, marketing  
preferences, cost, structural requirements, available materials,  
technological advances, etc., other plant arrangements such as,  
for example, other trees, flowers, bushes, vegetables, fruits,  
etc., may suffice. Further, upon reading this specification,  
10 those with ordinary skill in the art will now appreciate that,  
under appropriate circumstances, considering such issues as  
design preference, user preferences, marketing preferences,  
cost, structural requirements, available materials,  
technological advances, etc., other shape arrangements, such as,  
15 for example, plants comprising protruding features, plants  
comprising three dimensional features, etc., may suffice.

FIG. 6 shows a top view, illustrating shoe pair **200** of  
footwear systems **100** disguised as at least one ladybug **220**,  
according to a preferred embodiment of the present invention.  
20 Similar with the above described embodiments, shoe pair **200**  
preferably comprises at least one arrangement comprising at  
least at least one perimeter **204**, preferably comprising at least  
one perimeter outline of at least one preferred disguiser  
element **208** to disguise shoe pair **200** as an animal rather than  
25 footwear, as shown. For example, when left shoe **210** and right  
shoe **212** are placed in an adjoining position, shoe pair **200**  
preferably is disguised as ladybug **220** (at least herein  
embodying wherein such at least one design field together with  
such perimeter shape together comprise at least one animal  
30 representation), as shown.

In addition to having a perimeter arrangement, shoe pair  
**200** also preferably comprises additional disguiser elements **208**  
including indicia **222**, coloring **224**, and other physical  
features, such as animal portion/skin texturing **226**, to assist

disguising shoe pair **200**, as shown (the above arrangement at least herein embodying wherein such at least one design field together with such perimeter shape together comprise at least one artistic representation). Upon reading this specification, those with ordinary skill in the art will now appreciate that, under appropriate circumstances, considering such issues as design preference, user preferences, marketing preferences, cost, structural requirements, available materials, technological advances, etc., other animal arrangements such as, for example, other insects, mammals, animals, etc., may suffice. Further, upon reading this specification, those with ordinary skill in the art will now appreciate that, under appropriate circumstances, considering such issues as design preference, user preferences, marketing preferences, cost, structural requirements, available materials, technological advances, etc., other animal arrangements such as, for example, pretend play pets, furry pets, play animals, etc., may suffice. Further, upon reading this specification, those with ordinary skill in the art will now appreciate that, under appropriate circumstances, considering such issues as design preference, user preferences, marketing preferences, cost, structural requirements, available materials, technological advances, etc., other shape arrangements, such as, for example, animals comprising protruding features, animals comprising three dimensional features, etc., may suffice.

FIG. 7 shows a top view, illustrating at least one shoe pair **250** of footwear system **100** disguised as at least one Logo representation **252**, according to a preferred embodiment of the present invention.

Similar with the above described embodiments, shoe pair **250** preferably comprises at least one arrangement comprising at least at least one perimeter **254**, preferably comprising at least one perimeter outline of at least one preferred disguiser element **258** to preferably disguise shoe pair **250** as Logo

representation **252** rather than footwear, as shown. For example, when left shoe **260** and right shoe **262** are placed in an adjoining position, shoe pair **250** preferably is disguised as a Logo representation **252** (at least herein embodying wherein such at least one design field together with such perimeter shape together comprise at least one Logo representation), as shown.

In addition to having a perimeter arrangement, shoe pair **250** also preferably comprises additional disguiser elements **258** including indicia **272**, coloring **274**, and other physical features **276** (such as for example, 3-dimension or raised portions), to assist disguising shoe pair **250**, as shown. Upon reading this specification, those with ordinary skill in the art will now appreciate that, under appropriate circumstances, considering such issues as design preference, user preferences, marketing preferences, cost, structural requirements, available materials, technological advances, etc., other Logo arrangements such as, for example, perimeter cut-out logo's, multiple raised portions, multiple logos, etc., may suffice.

FIG. 8 shows a top view, illustrating at least one display mat **300** of footwear system **100**, according to another preferred embodiment of the present invention. Display mat **300** preferably assists in the display for sale of at least one shoe pair **310** of footwear system **100**, as shown. In a preferred embodiment of the present invention, display mat **300** preferably comprises a single shoe pair **310**, as shown. Display mat **300** preferably comprises at least one outer frame portion **315**, at least one shoe pair **310**, at least one hanger portion **320**, and alternately preferably at least one keychain display portion **325**, as shown. Display mat **300** preferably assists both disguising shoe pair **310** and hanging it for display and sales. Upon reading this specification, those with ordinary skill in the art will now appreciate that, under appropriate circumstances, considering such issues as design preference, user preferences, marketing preferences, cost, structural requirements, available materials,

technological advances, etc., other display arrangements, such as, for example, displays comprising more than one shoe pair, separate displays for each shoe, etc., may suffice.

Shoe pair **310** preferably comprises at least one pair of sandals **304**, preferably "flip-flop" sandals, preferably comprising at least one left shoe **312** and at least one right shoe **314**, as shown. Preferably, shoe pair **310** is disguised as something other than footwear, such as, for example, the multiple embodiments described above, all of which teach disguised footwear.

Display mat **300** preferably is made of the same material as that used to manufacture shoe pair **310**, preferably an elastomeric material, preferably rubber, alternately preferably plastic. Upon reading this specification, those with ordinary skill in the art will now appreciate that, under appropriate circumstances, considering such issues as design preference, user preferences, marketing preferences, cost, structural requirements, available materials, technological advances, etc., other material arrangements such as, for example, leather, canvas, natural materials, man-made materials, etc., may suffice.

At least one outer frame portion **315** preferably encircles shoe pair **310**, and is preferably structured and arranged so as to at least frictionally hold shoe pair **310** within outer frame portion **315**; as such, shoe pair **310** may be removed from outer frame portion **315**. Upon reading this specification, those with ordinary skill in the art will now appreciate that, under appropriate circumstances, considering such issues as design preference, user preferences, marketing preferences, cost, structural requirements, available materials, technological advances, etc., other holding arrangements such as, for example, perforated material, coupling portions, tabs, etc., may suffice.

Attached to the outer frame portion **315** preferably is located keychain display portion **325**, as shown. Key chain

display portion **325** preferably is removable from outer frame portion **315**. Preferably, when removed from outer frame portion **315**, key chain display portion **325** may be used as a key chain. Attached to such keychain display portion **325** preferably is  
5 hanger portion **320** which is preferably structured and arranged to preferably hold the weight of display mat **300**, when suspended by such hanger portion **320**. Display mat **300** preferably allows for a shoe pair **310** to preferably be easily displayed on hooks or other such display fixtures as may be able to be utilized.  
10 Upon reading this specification, those with ordinary skill in the art will now appreciate that, under appropriate circumstances, considering such issues as design preference, user preferences, marketing preferences, cost, structural requirements, available materials, technological advances, etc.,  
15 other hanging arrangements, such as, for example, stickers, hook and loop attachments, magnets, etc., may suffice.

Preferably, keychain display portion **325** may be removed, preferably utilizing pressure applied to pop out such keychain display portion **325** from such outer frame portion **315**. Those  
20 with ordinary skill in the art will now appreciate that upon reading this specification and by their understanding the art of attachment as described herein, methods of removably attaching keychain display portion from such outer frame portion will be understood by those knowledgeable in such art.

25 Under appropriate circumstances the articles of footwear may resemble a tree, a palm tree, a light bulb, fish, an umbrella, a chess piece/chess pieces, a vehicle, a cloud, a cactus, a piece of fruit, a volleyball, a basketball, a baseball, a softball, a tennis ball, a golf ball, etc. Other  
30 designs include a lightning bolt, a star, sea horse herds, a spoon and fork, flowers, a ladybug, birds, etc.

Although applicant has described applicant's preferred embodiments of this invention, it will be understood that the broadest scope of this invention includes modifications such as

diverse shapes, sizes, and materials. Such scope is limited only by the below claims as read in connection with the above specification. Further, many other advantages of applicant's invention will be apparent to those skilled in the art from the  
5 above descriptions and the below claims.

What is claimed is:

- 1) A footwear system, relating to at least one pair of shoes wearable by at least one person, comprising:
  - a) at least one right shoe part structured and arranged to provide a right shoe part of a pair of shoes; and
  - b) at least one left shoe part structured and arranged to provide a left shoe part of a pair of shoes;
  - c) wherein said at least one right shoe part and said at least one left shoe part together comprise,
    - i) at least one perimeter shape structured and arranged to provide, when arranged side by side, a single perimeter shape,
    - ii) within said single perimeter shape, at least one design field structured and arranged to provide at least one design field element; and
  - d) wherein said at least one design field together with said perimeter shape together comprise at least one disguiser structured and arranged to disguise the pair of shoes.
- 2) The system according to Claim 1 wherein the at least one pair of shoes comprises at least one pair of sandals.
- 3) The system according to Claim 1 wherein said at least one pair of sandals comprises at least one pair of thong sandals.
- 4) The system according to Claim 1 wherein said at least one design field together with said single perimeter shape together comprise at least one animal representation.
- 5) The system according to Claim 1 wherein said at least one design field together with said single perimeter shape together comprise at least one plant representation.
- 6) The system according to Claim 1 wherein said at least one design field together with said single perimeter shape together comprise at least one Logo representation.

- 7) The system according to Claim 1 wherein said at least one design field together with said single perimeter shape together comprise at least one artistic representation.
- 8) The system according to Claim 1 wherein said at least one design field together with said single perimeter shape together comprise at least one indicia representation.
- 9) The system according to Claim 1 wherein said at least one design field together with said single perimeter shape together comprise at least one toy representation.
- 10) A footwear system, relating to at least one pair of shoes wearable by at least one person, comprising:
- a) at least one right shoe part structured and arranged to provide a right shoe part of a pair of shoes; and
  - b) at least one left shoe part structured and arranged to provide a left shoe part of a pair of shoes;
  - c) wherein said at least one right shoe part and said at least one left shoe part together comprise,
    - i) at least one perimeter shape structured and arranged to provide, when arranged adjoining, a single perimeter shape,
    - ii) within said single perimeter shape, at least one design field structured and arranged to provide at least one design field element; and
  - d) wherein said at least one design field together with said perimeter shape together comprise at least one disguiser structured and arranged to disguise the pair of shoes.
- 11) The system according to Claim 10 wherein the at least one pair of shoes comprises at least one pair of sandals.
- 12) The system according to Claim 10 wherein said at least one pair of sandals comprises at least one pair of thong sandals.

- 13) The system according to Claim 10 wherein said at least one design field together with said single perimeter shape together comprise at least one animal representation.
- 14) The system according to Claim 10 wherein said at least one design field together with said single perimeter shape together comprise at least one plant representation.
- 15) The system according to Claim 10 wherein said at least one design field together with said single perimeter shape together comprise at least one Logo representation.
- 16) The system according to Claim 10 wherein said at least one design field together with said single perimeter shape together comprise at least one artistic representation.
- 17) The system according to Claim 10 wherein said at least one design field together with said single perimeter shape together comprise at least one indicia representation.
- 18) The system according to Claim 10 further comprising a display mat structured and arranged to hold and display the at least one pair of shoes.
- 19) The system according to Claim 11 wherein said display mat comprises at least one removable keychain holder portion.
- 20) A footwear system, relating to at least one pair of shoes wearable by at least one person, comprising:
- a) right shoe part means for providing a right shoe part of a pair of shoes; and
  - b) left shoe part means for providing a left shoe part of a pair of shoes;
  - c) wherein said right shoe part means and said left shoe part means together comprise,
    - i) perimeter shape means for providing, when arranged adjoining, a single perimeter shape,
    - ii) within said single perimeter shape, at least one design field means for providing at least one design field element; and

- d) wherein said at least one design field means together with said perimeter shape means together comprise disguiser means for disguising the pair of shoes.

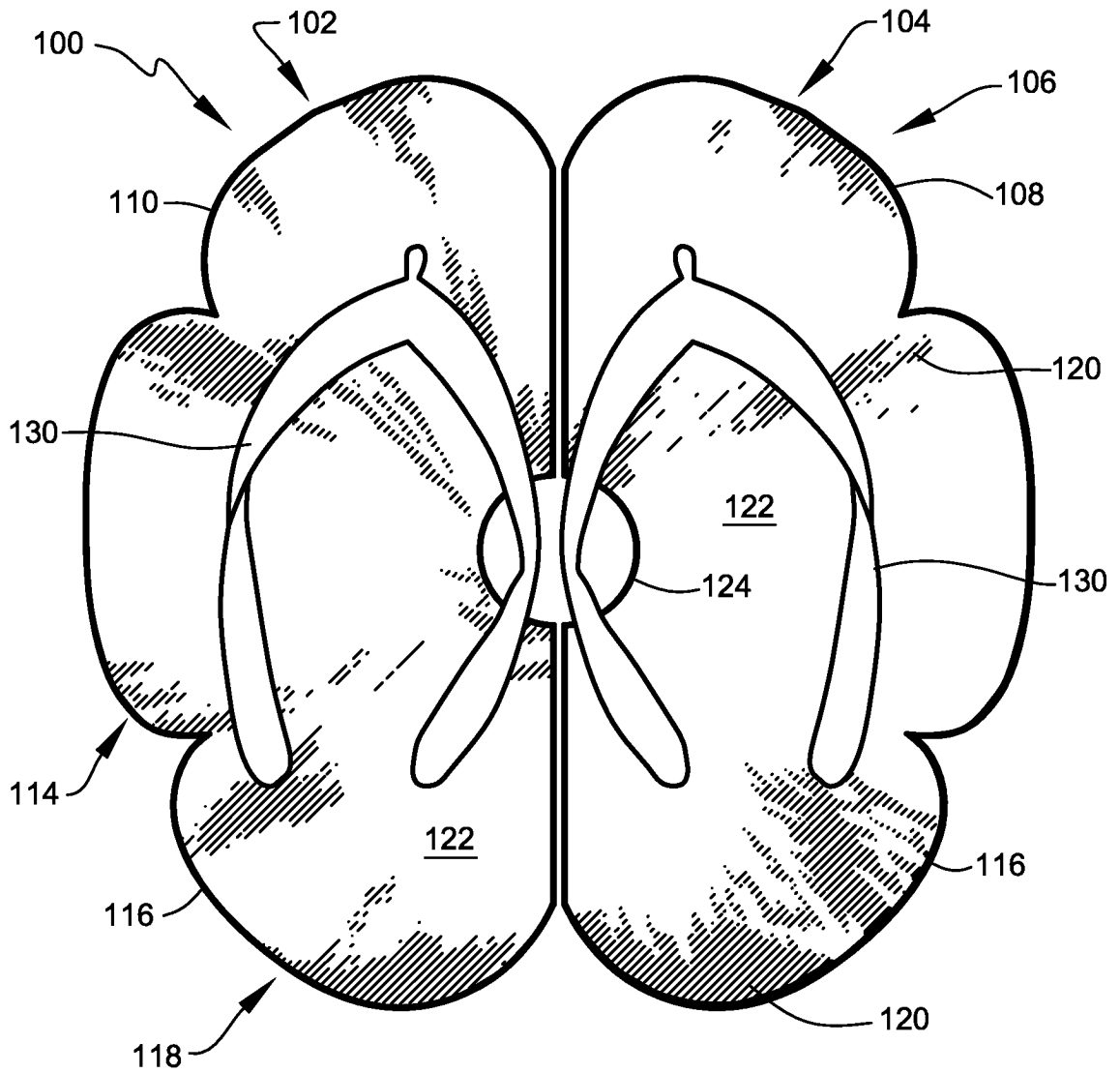


FIG. 1

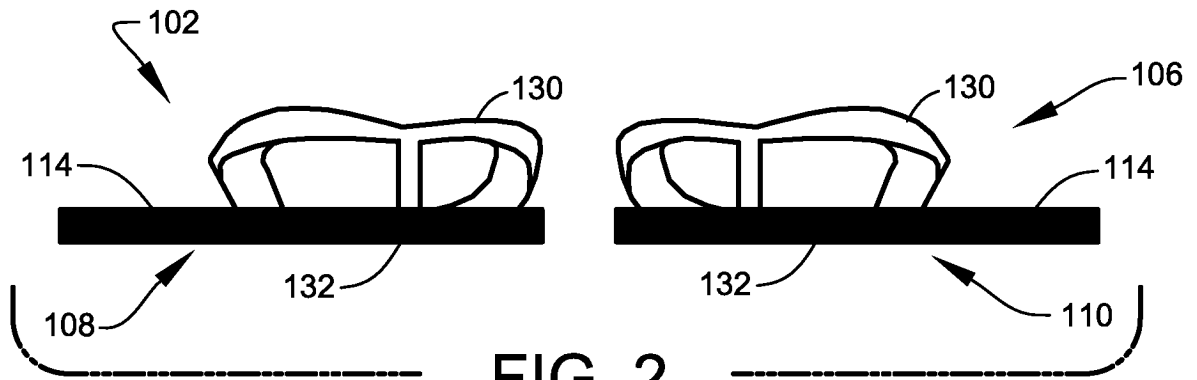
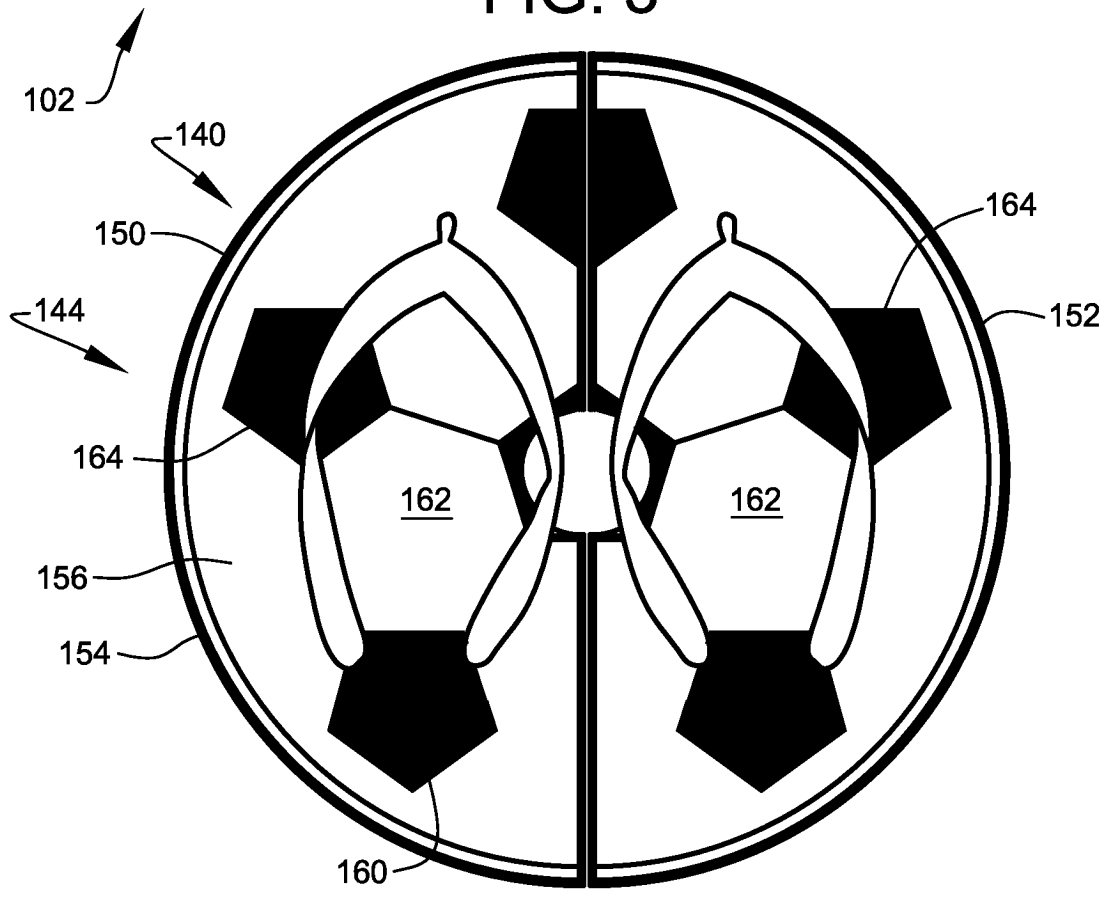
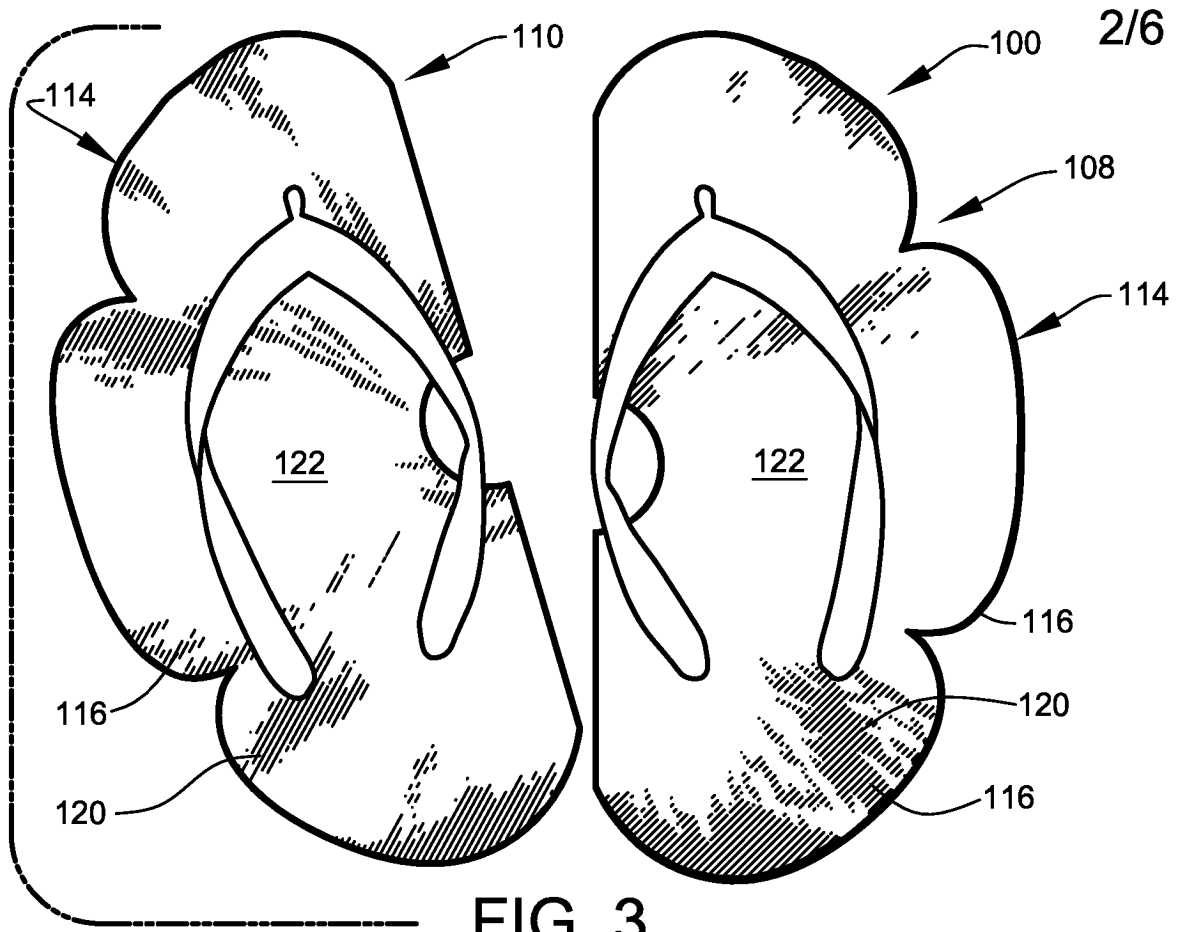


FIG. 2



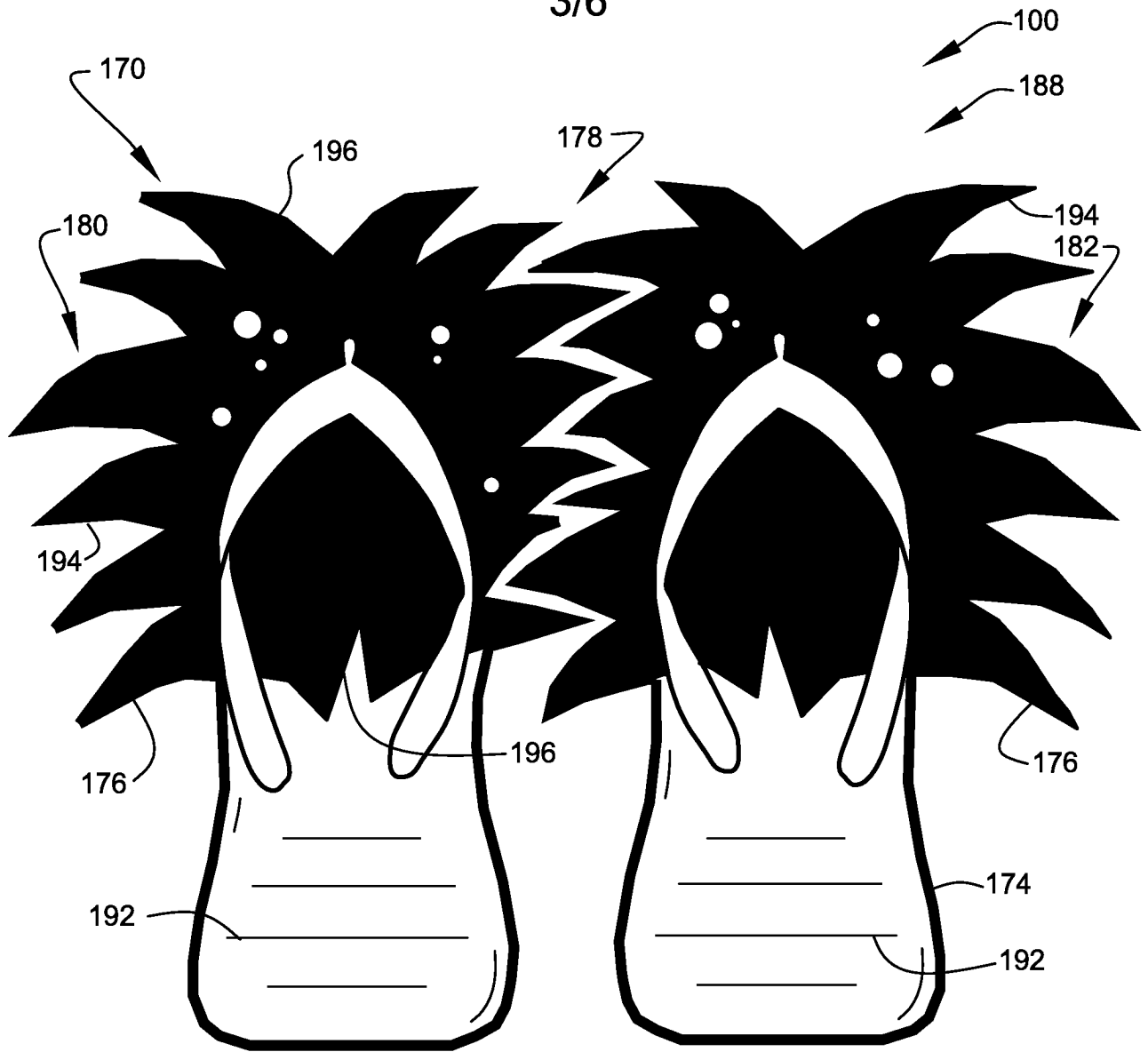


FIG. 5

4/6

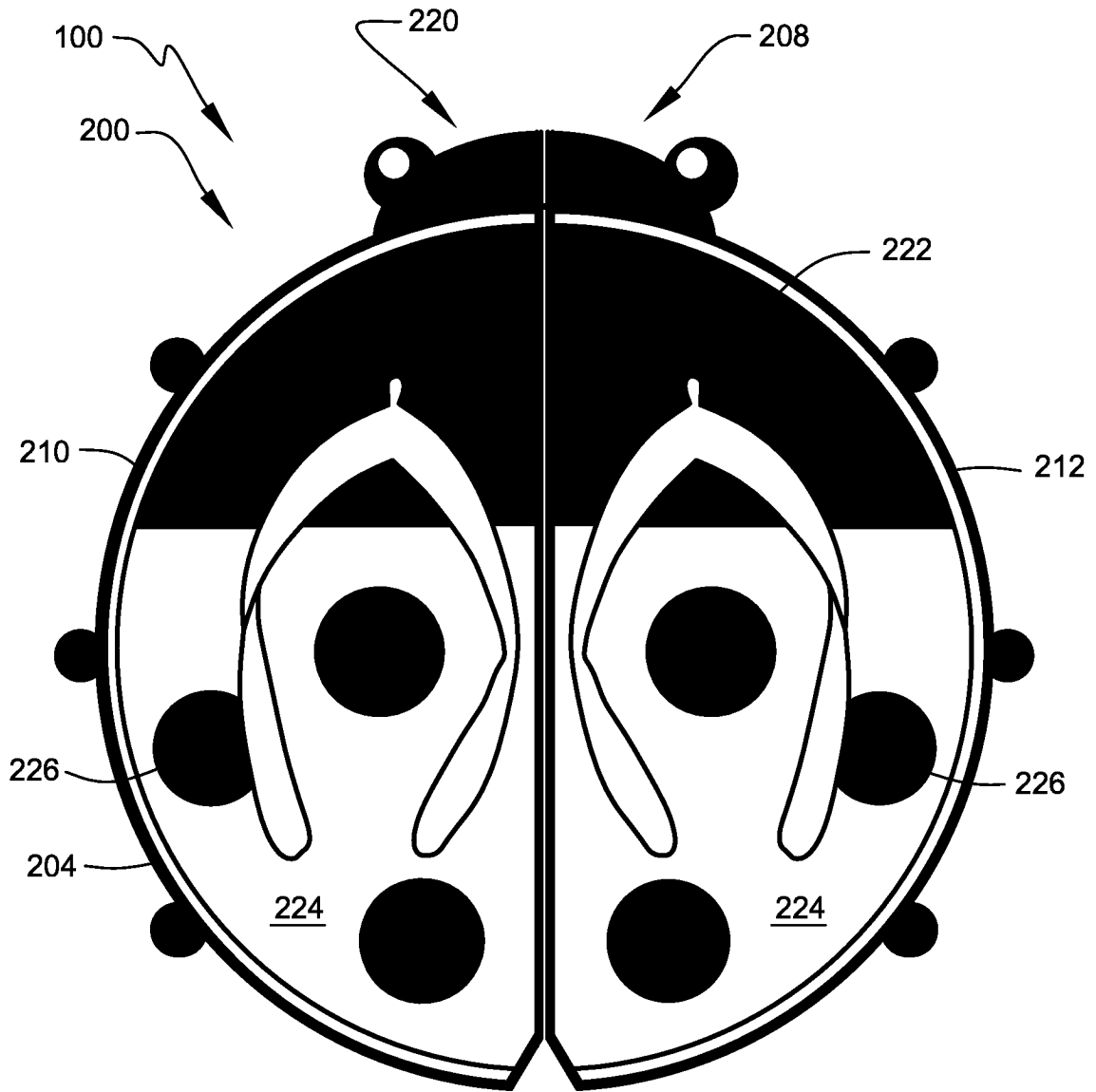


FIG. 6

5/6

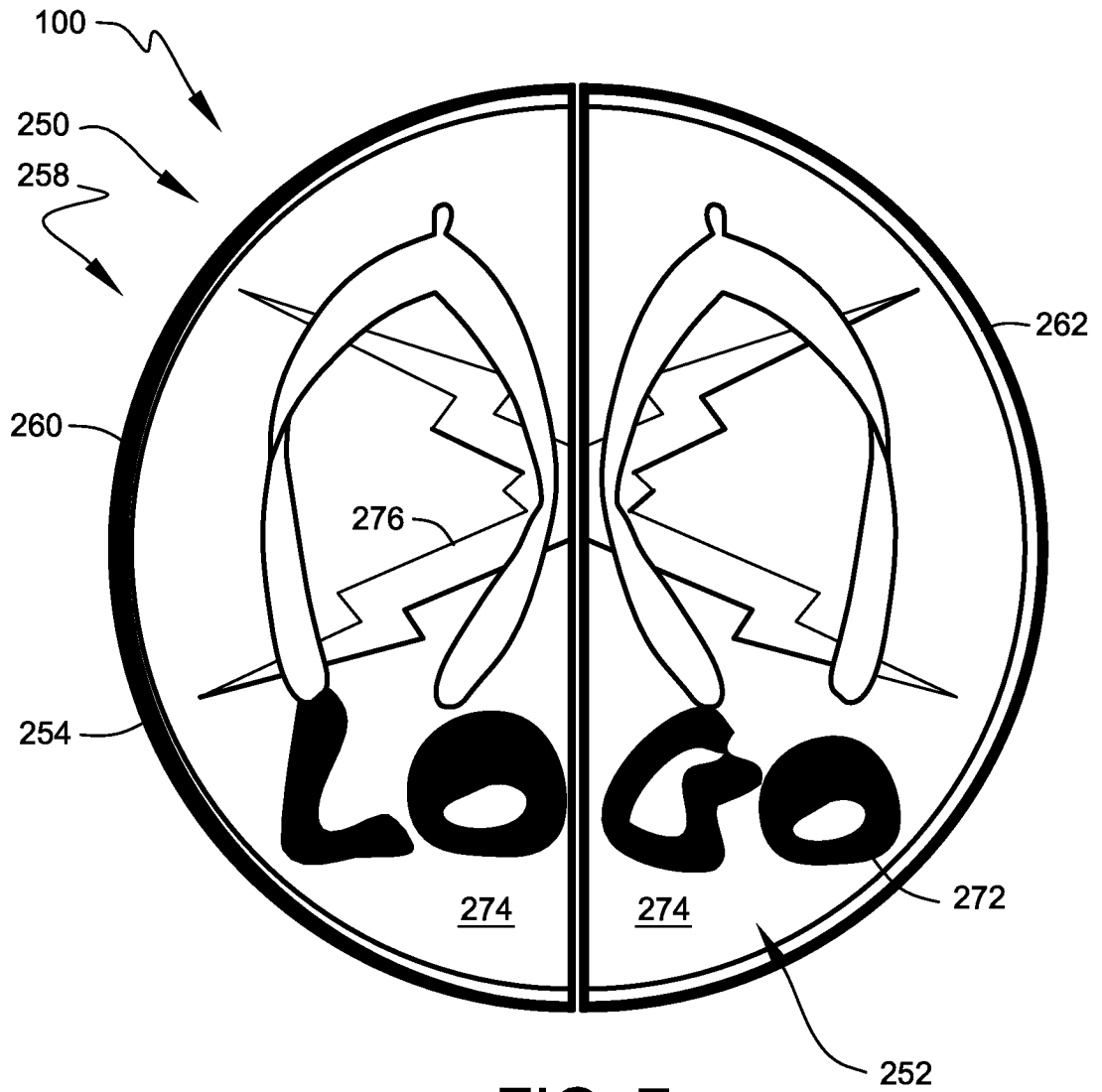


FIG. 7

6/6

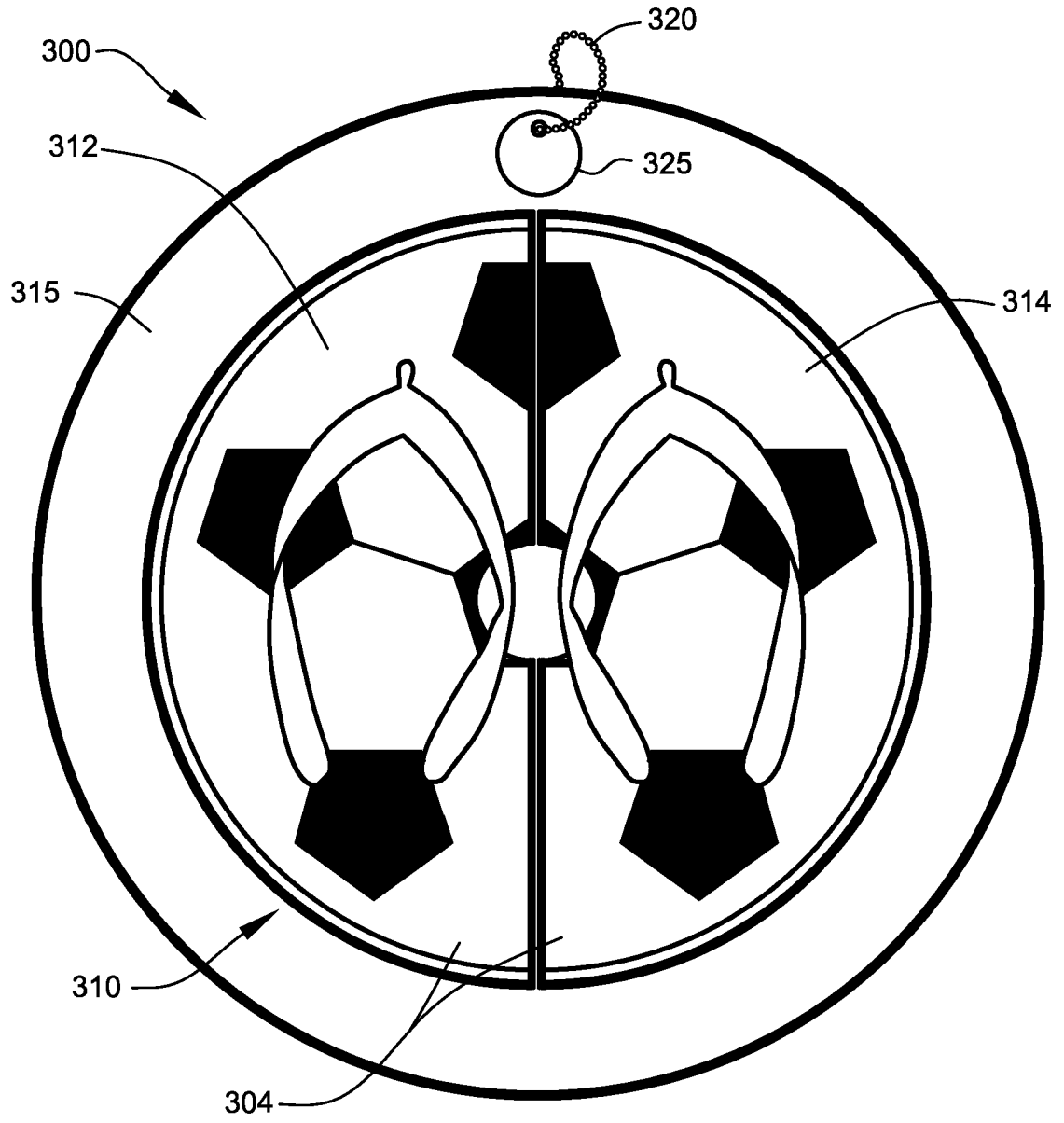


FIG. 8