

(12) **United States Design Patent**
Bosch

(10) **Patent No.:** **US D474,448 S**
(45) **Date of Patent:** **** May 13, 2003**

(54) **MOBILE PHONE POWER ADAPTER SYSTEM**

(76) Inventor: **John P. Bosch**, 9861 E. Doubletree Ranch Rd., Scottsdale, AZ (US) 85258

(**) Term: **14 Years**

(21) Appl. No.: **29/166,957**

(22) Filed: **Sep. 5, 2002**

(51) **LOC (7) Cl.** **13-03**

(52) **U.S. Cl.** **D13/144**

(58) **Field of Search** D13/144, 107;
439/622, 638, 668, 669; D14/225

(56) **References Cited**

U.S. PATENT DOCUMENTS

- 5,569,053 A * 10/1996 Nelson et al. 439/668
- D400,176 S * 10/1998 Jones D13/144
- D408,787 S * 4/1999 Seragnoli D13/144
- D442,543 S * 5/2001 Krumenacker et al. D13/144

* cited by examiner

Primary Examiner—Jennifer Rivard
(74) *Attorney, Agent, or Firm*—Martin L. Stoneman

(57) **CLAIM**

The ornamental design for a “mobile phone power adapter system”, as shown and described.

DESCRIPTION

FIG. 1 is a perspective view of a “mobile phone power adapter system”, showing my new design.

FIG. 2 is a front elevational view thereof;

FIG. 3 is a rear elevational view thereof;

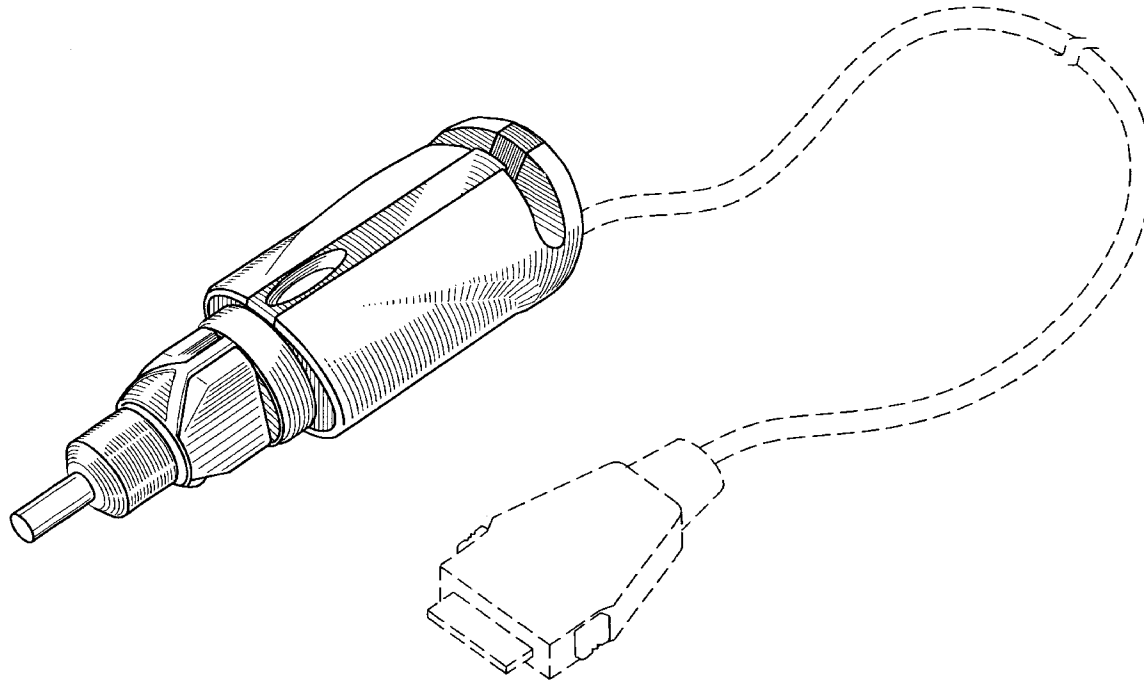
FIG. 4 is a right-side elevational view thereof (and also a mirror image of the left side);

FIG. 5 is a top plan view thereof; and,

FIG. 6 is a bottom plan view thereof.

The broken line environmental showing is for illustrative purposes only and forms no part of the claimed design.

1 Claim, 5 Drawing Sheets



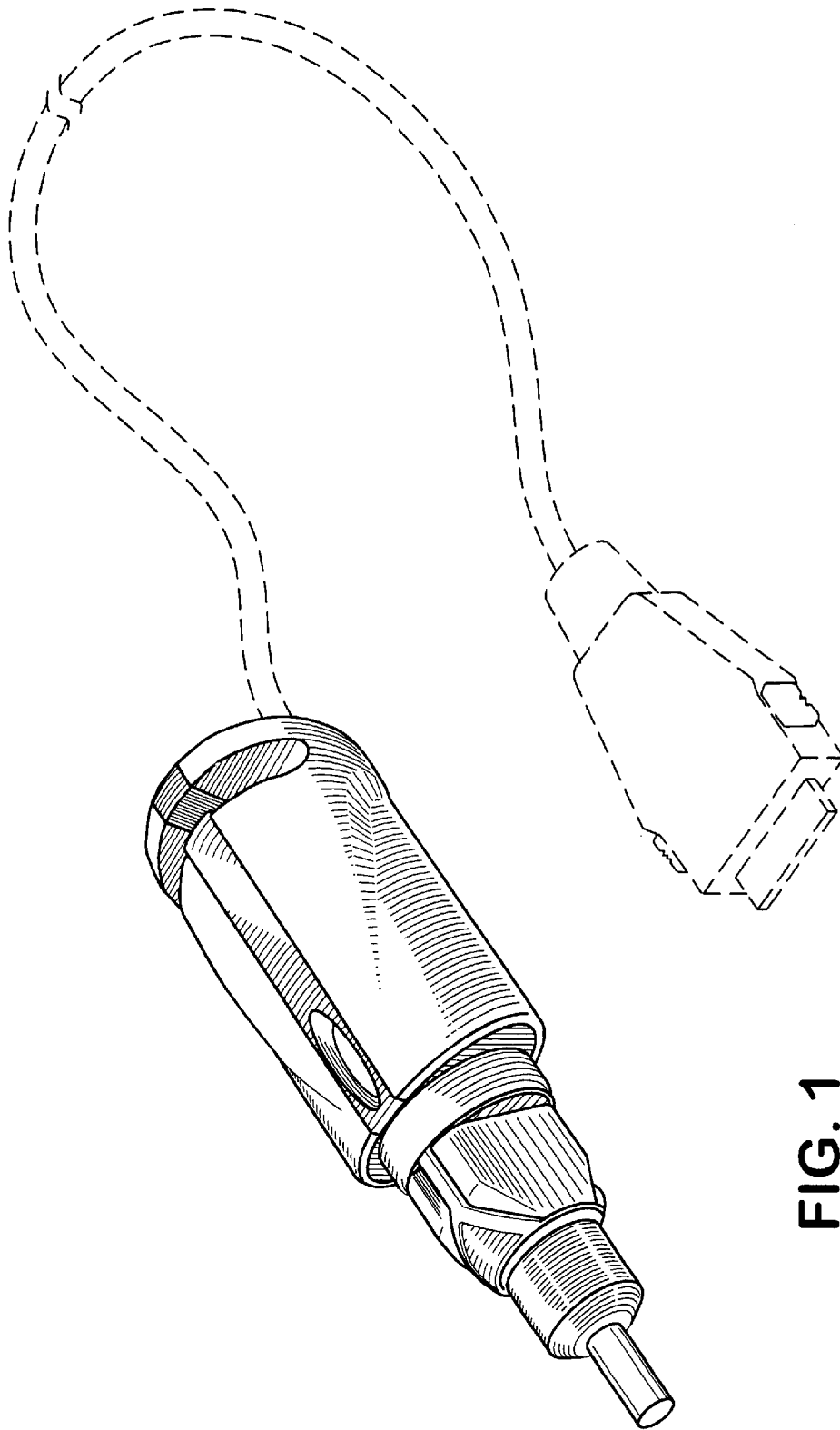


FIG. 1

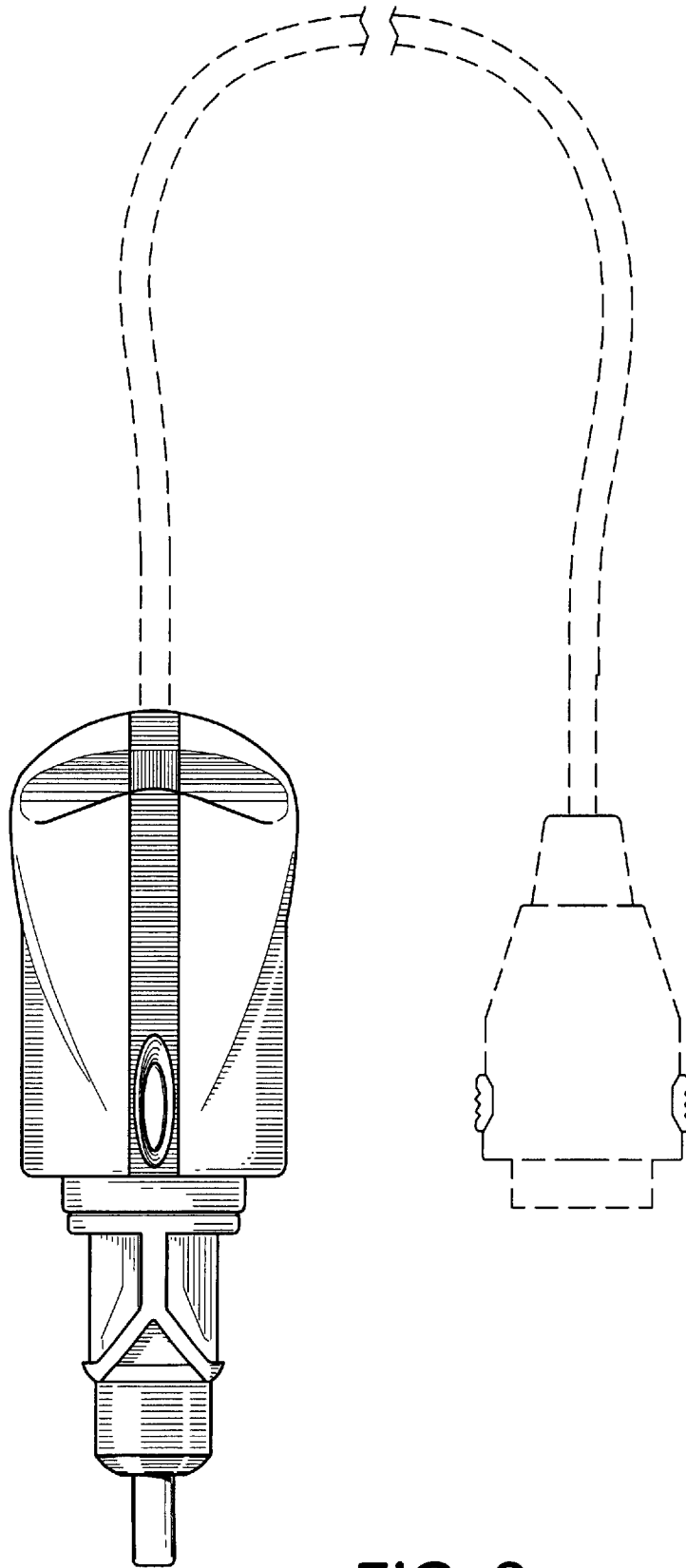


FIG. 2

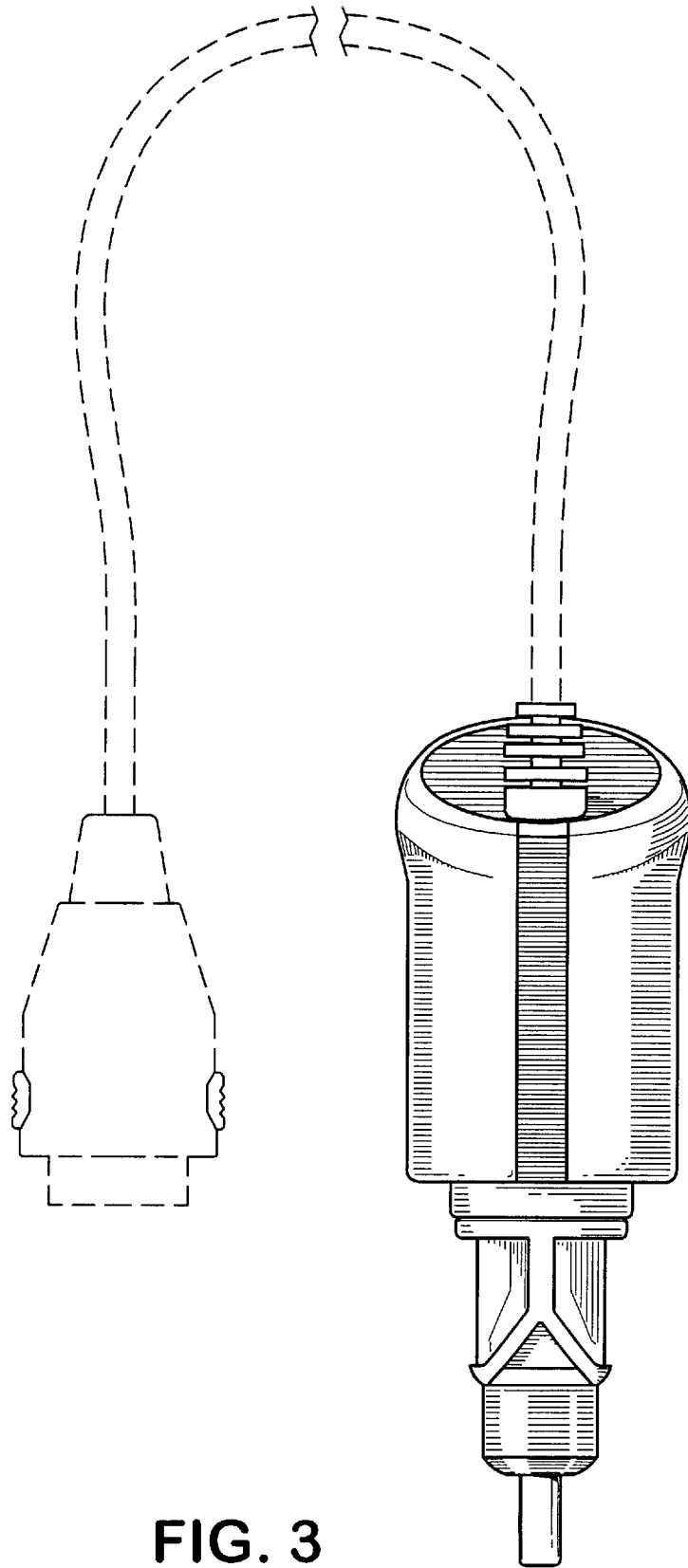


FIG. 3

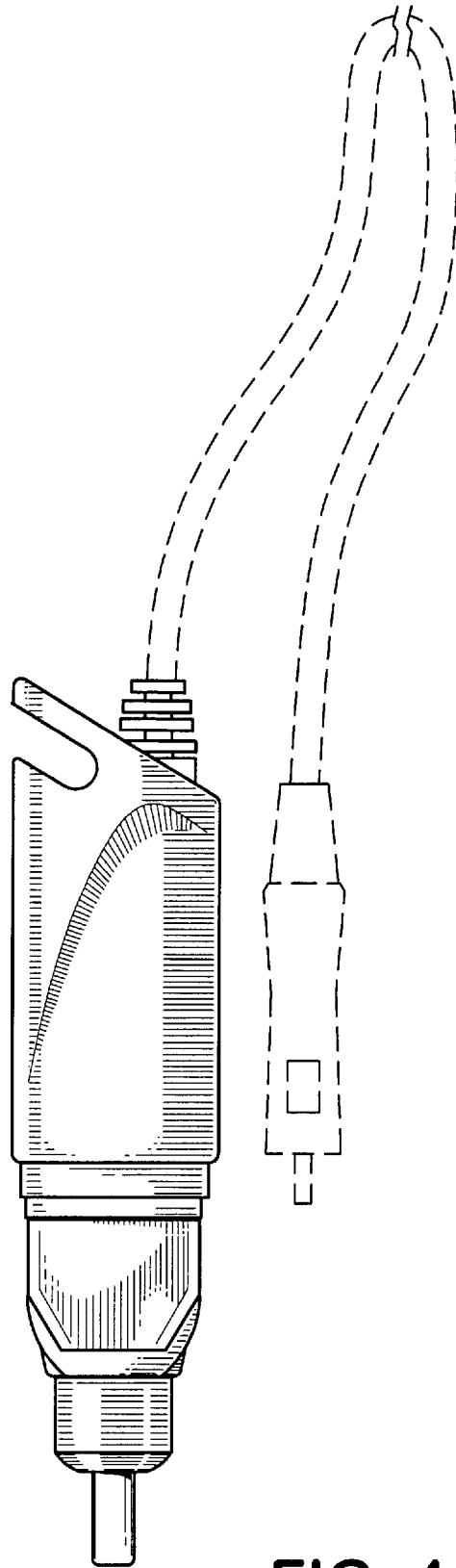


FIG. 4

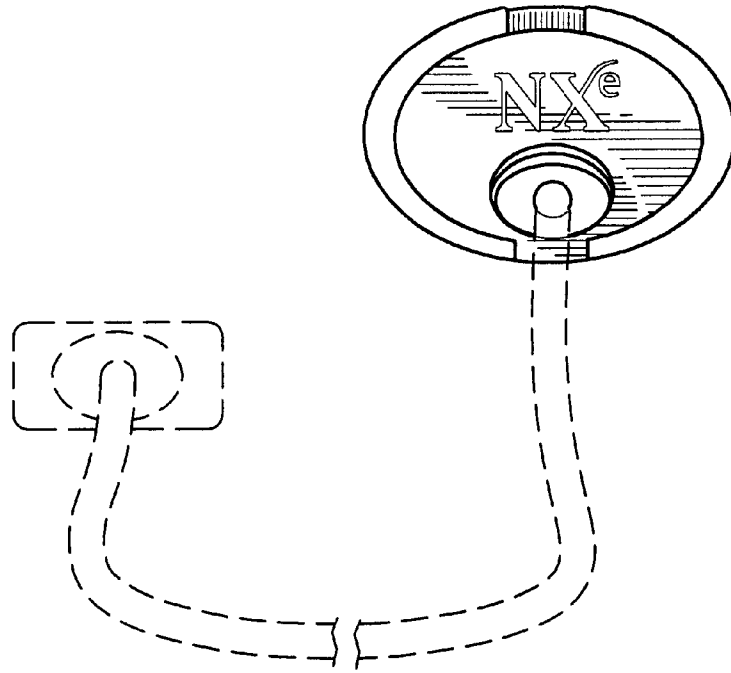


FIG. 5

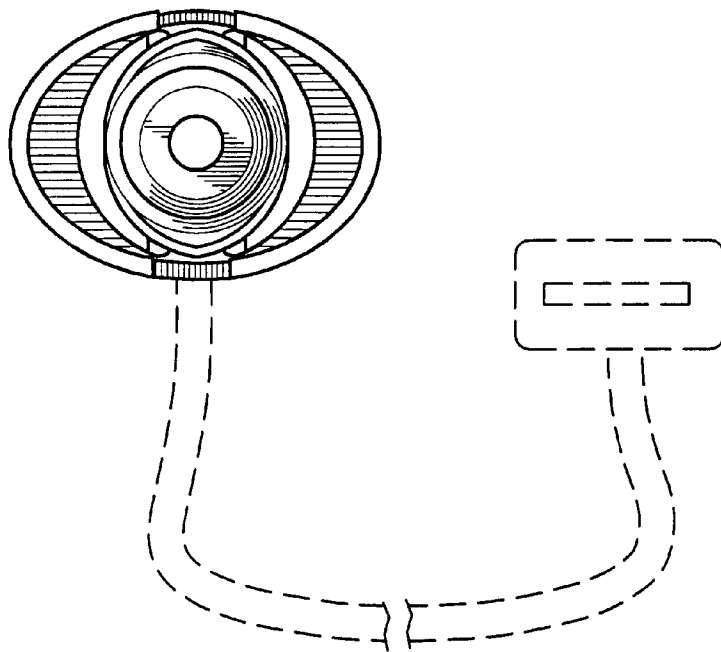


FIG. 6